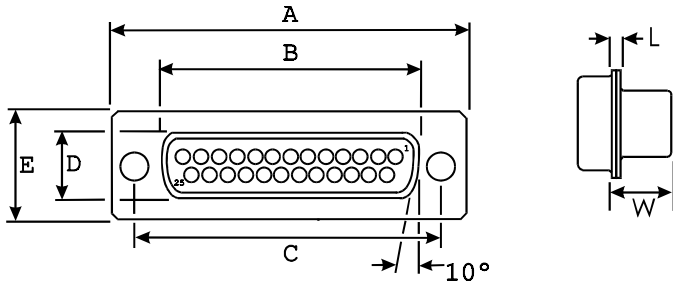
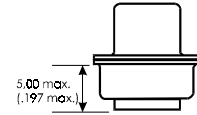


This is issued in strict confidence on condition that it is not used as a basis for manufacture or sale, and that it is not copied, reprinted or disclosed to a third party either wholly or in part without prior written consent of ITT Cannon.

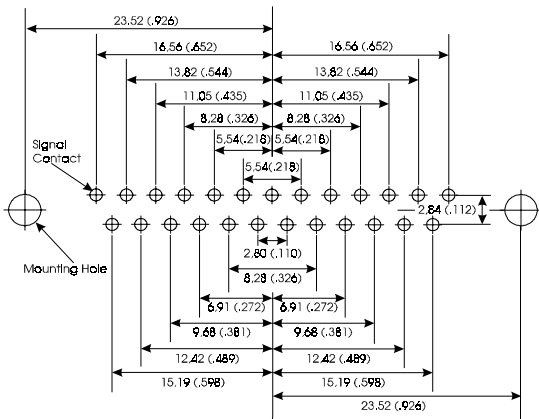


No mounting hardware selected  
with 3,05 (.120) mounting hole

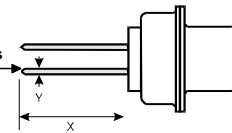


Signal contacts  
not shown for clarity

A ± 0,38 (.015)	B ± 0,13 (.005)	C ± 0,13 (.005)	D ± 0,13 (.005)	E ± 0,38 (.015)	L ± 0,1 (.004)	W ± 0,25 (.012)
53,04 (2.088)	38,38 (1.511)	47,04 (1.852)	7,90 (.311)	12,55 (.494)	0,9 (.035)	7,2 (.283)



Wrap post signal contacts



<b>Signal contact diameter</b>	<b>Signal contact length from back of insulator</b>
Y ± 0,08 (.003)	X ± 0,51 (.020)
0,60 (.024) sq.	12,90 (.508)

DESCRIPTION	MATERIAL	FINISH
Insulator	Polyester	None, (Color Dark Green)
Shells	Steel	Tin
Signal Contacts	Copper alloy	Gold over Ni in mating area, Tin on balance

<b>PCB mounting hole Ø (2)</b>	<b>PCB Signal cont Ø (25)</b>
3,05 (.120) ± 0,05 (.002)	1,24 (.049)

Unless otherwise specified,  
dimensions are in mm & (in.)  
Tolerances are (.XXX = mm)  
Decimals  
Angles  
.X ± 0,20 (.008) X° ± 1,0°  
.XX ± 0,10 (.004)  
.XXX ± 0,05 (.002)

Issue Date:	20-Aug-99	Cannon	ITT Industries
CONNECTOR, RECEPTACLE, ELECTRICAL D-SUBMINIATURE 25 POSITION WRAP POST			
PART NO.	<b>DB25SF179AA197</b>		

**NOTE: DO NOT MAKE ASSUMPTIONS REGARDING HOLE LOCATIONS, CHECK EACH DIMENSION**