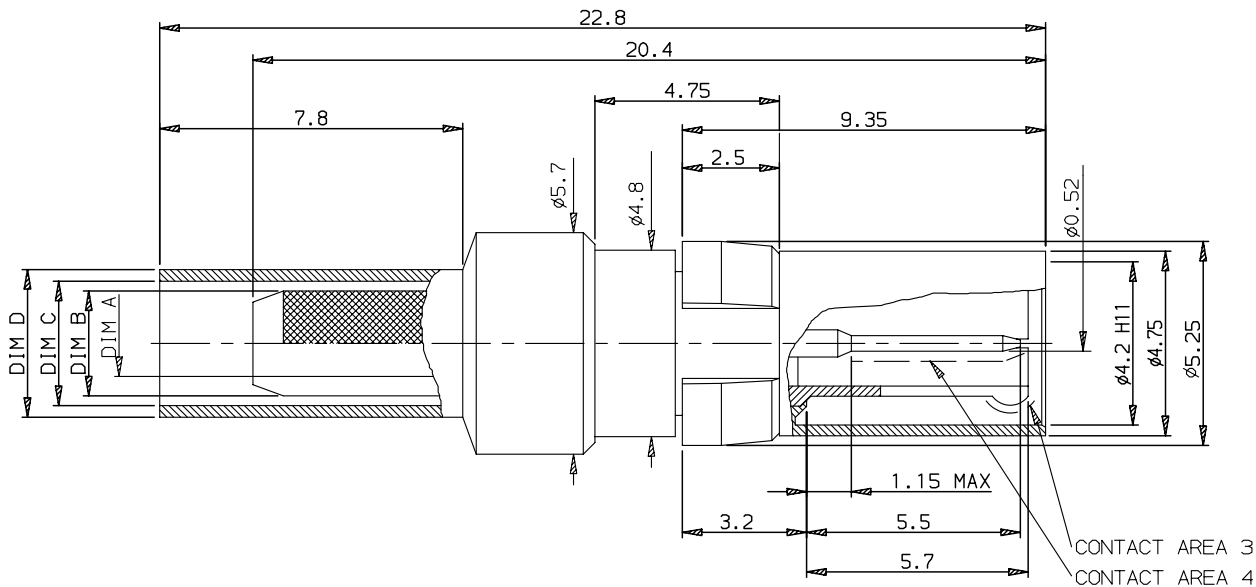


LEAD-FREE PART NUMBER	DIM A ∅	DIM B ∅	DIM C ∅	DIM D ∅	CABLE TYPE	IMPEDANCE
77427-X11LF	1.2	1.70	2.2	3.20	RG178 B/U RG196 A/U	50 Ohm
77427-X21LF	1.70	2.70	3.20	3.80	RG174 A/U RG188 A/U RG316 /U	50 Ohm
77427-X31LF	1.70	2.70	3.58	4.30	RG316/U2 SHIELDED	50 Ohm

PLATING CODE X	PLATING CONTACT AREA 1 AND 3	PLATING CONTACT AREA 2 AND 4
1	1.3um Au min.	1.3um Au min.



- NOTES:
- 1.UNDERPLATING Ni
  - 2.DIMENSIONS ACCORDING DIN 41626
  - 3.THIS PRODUCT WITH "LF" SUFFIX MEETS EUROPEAN UNION DIRECTIVES AND OTHER COUNTRY REGULATIONS AS DESCRIBED IN GS -22-008.
  - 4.THE PRODUCT IS NOT INTENDED TO BE EXPOSED TO A MANUFACTURING SOLDER PROCESS.
  - 5.PACKAGING SPEC: SEE GS-14-920

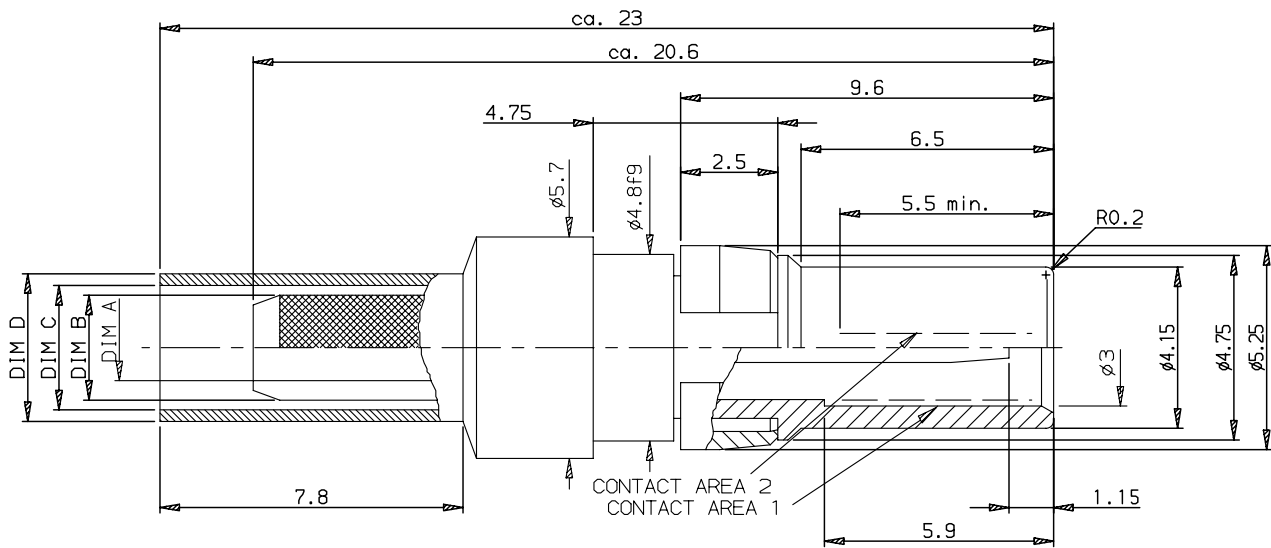
rev	ecn no	dr	date
N	LS06-0022	LGO	2006/03/06
P	LS07-0214	LGO	2007/08/20
R	LS08-0057	LGO	2008/02/18
-	-	-	-
-	-	-	-
-	-	-	-

www.fciconnect.com		surface	tolerance std	projection	mm
		ISO 1302	ISO 406 ISO 1101		
TOLERANCES UNLESS OTHERWISE SPECIFIED					
Dr	GOISNARD	2006/03/06	ANGULAR	0.X	±0.1
Eng	GOISNARD	2006/03/06	LINEAR	0.XX	±0.1
Chr	LEGARE	2006/03/06	0.XX	0.XXX	±0.1
Appr	LEGARE	2006/03/06	0.XX ±2	0.XXX	±0.1
Product family		BACKPANEL		size	A3
Title		MALE COAX		ECN	LS08-0057
Insert		INSERT STRAIGHT CTW		Spec ref	-
catLog no		-		Rev.	R
-		-		Part no	77427
-		-		CUSTOMER	sheet 1 of 5

REV F - 2006-04-17

PDM: Rev:R STATUS:Released Printed: Oct 01, 2010

LEAD-FREE PART NUMBER	DIM A ∅	DIM B ∅	DIM C ∅	DIM D ∅	CABLE TYPE	IMPEDANCE
77427-X12LF	1.05	1.70	2.25	3.20	RG178B/U RG196A/U	50 Ohm
77427-X22LF	1.70	2.70	3.20	3.80	RG174A/U RG179B/U RG187A/U RG188A/U RG316/U	50 Ohm
77427-X32LF	1.70	2.70	3.58	4.30	L910/9-/19	50 Ohm



NOTES:

1. UNDERPLATING Ni
2. DIMENSIONS ACCORDING DIN 41626
3. THIS PRODUCT WITH "LF" SUFFIX MEETS EUROPEAN UNION DIRECTIVES AND OTHER COUNTRY REGULATIONS AS DESCRIBED IN GS -22-008.
4. THE PRODUCT IS NOT INTENDED TO BE EXPOSED TO A MANUFACTURING SOLDER PROCESS.
5. PACKAGING SPEC: SEE GS-14-920
6. CONTACT AREA PLATING: SEE SHEET 1

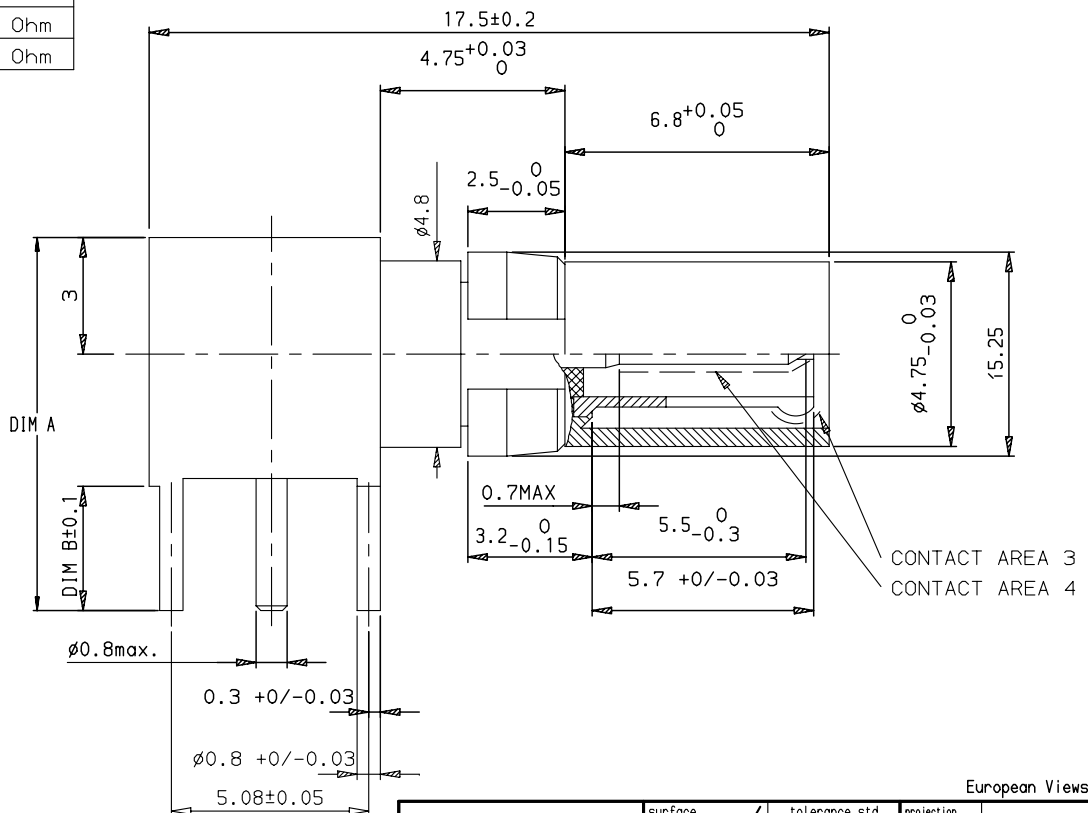
European Views

www.fciconnect.com		surface ISO 1302	tolerance std ISO 406 ISO 1101	projection mm
TOLERANCES UNLESS OTHERWISE SPECIFIED				
Dr	GOISNARD	2006/03/06	ANGULAR	size A3
Eng	GOISNARD	2006/03/06	LINEAR	Scale 10
Chr	LEGARE	2006/03/06	0.11 ± 2	ECN LS08-0057
Appr	LEGARE	2006/03/06	0.XX ± 0.1	Spec ref -
Product family		BACKPANEL		
Title COAX INSERT		dkg no 77427		Rev. R
catalog no		CUSTOMER sheet 2 of 5		

REV F - 2006-04-17

PDM: Rev:R STATUS: Released Printed: Oct 01, 2010

LEAD-FREE PART NUMBER	DIM A	DIM B	IMPEDANCE
77427-X03LF	9.6	3.2	50 Ohm
77427-X13LF	10.4	4.0	50 Ohm



NOTES:

- 1.UNDERPLATING Ni
- 2.DIMENSIONS ACCORDING TO DIN 41626
- 3.GENERAL TOLERANCE  $\pm 0.10$
- 4.THIS PRODUCT WITH "LF" SUFFIX MEETS EUROPEAN UNIDIRECTIVES AND OTHER COUNTRY REGULATIONS AS DESCRIBED IN GS -22-008.
- 5.THE PRODUCT WILL WITHSTAND 260 DEGREE PEAK TEMPERATURE FOR 30 SECONDS IN A WAVE SOLDER APPLICATION WITH 1.6mm MINIMUM THICK CIRCUIT BOARD. MANUFACTURING SOLDER PROCESS.
- 6.PACKAGING SPEC: SEE GS-14-920

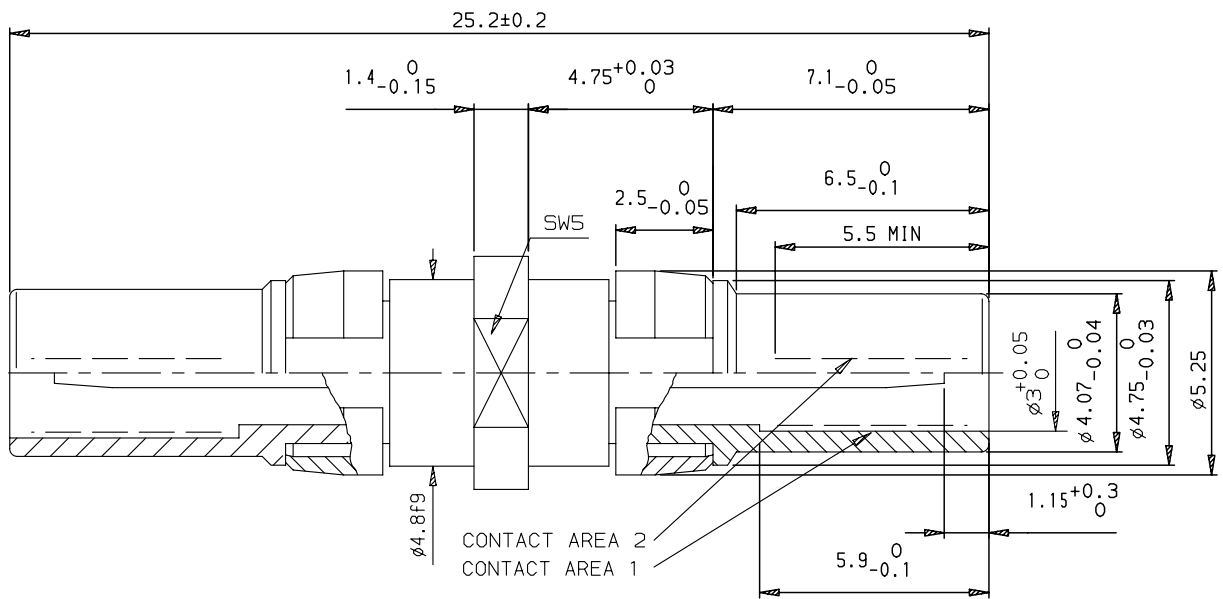
European Views

www.fciconnect.com		surface ISO 1302	tolerance std ISO 406 ISO 1101	projection A3	mm
TOLERANCES UNLESS OTHERWISE SPECIFIED					
Dr	GOISNARD	2006/03/06	ANGULAR	0.X	$\pm 0.1$
Eng	GOISNARD	2006/03/06	LINEAR	0.XX	$\pm 0.1$
Chr	LEGARE	2006/03/06	0.XX	0.XXX	$\pm 0.1$
Appr	LEGARE	2006/03/06	Product family	BACKPANEL	Spec ref -
FCJ			Title MALE COAX INSERT R.A. STB		Rev. R
catalog no			drawing no 77427		CUSTOMER sheet 3 of 5

REV F - 2006-04-17

PDM: Rev:R STATUS:Released Printed: Oct 01, 2010

LEAD-FREE P/N	IMPEDANCE
77427-X04LF	50 Ohm

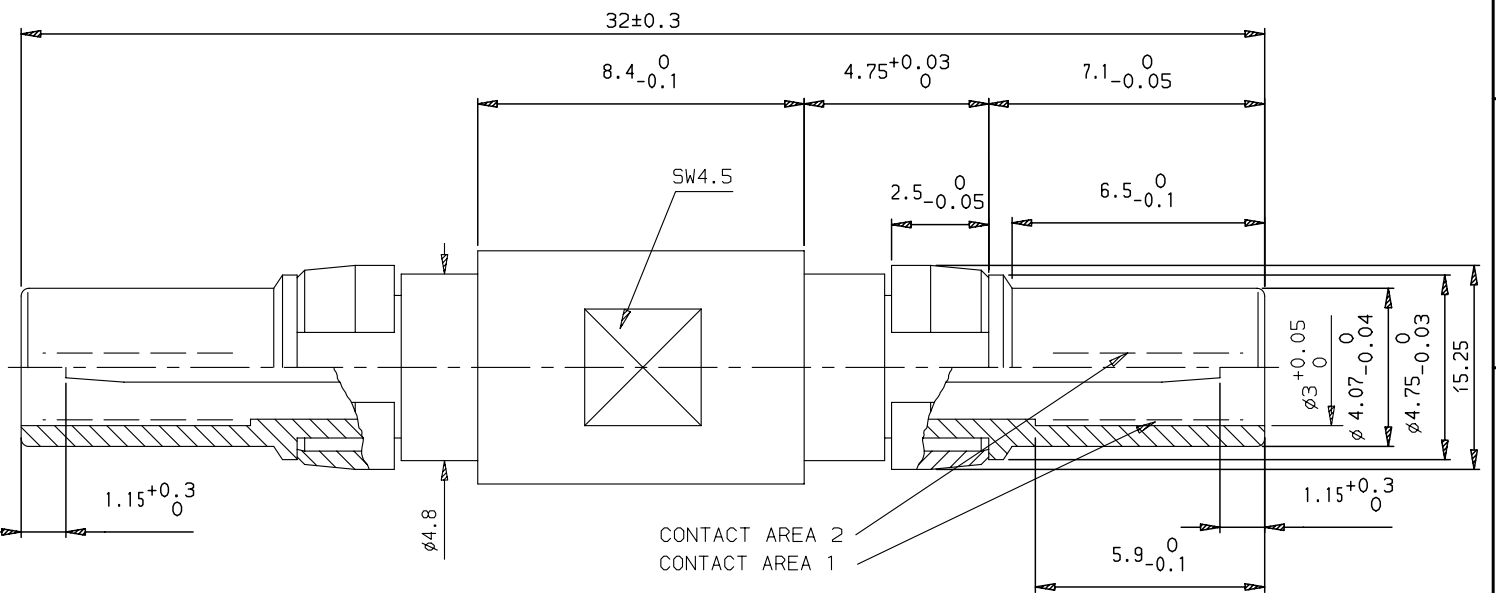


- NOTES:
- 1.UNDERPLATING Ni
  - 2.DIMENSIONS ACCORDING TO DIN 41626
  - 3.GENERAL TOLERANCE ±0.10
  - 4.THIS PRODUCT WITH "LF" SUFFIX MEETS EUROPEAN UNION DIRECTIVES AND OTHER COUNTRY REGULATIONS AS DESCRIBED IN GS -22-008.
  - 5.THE PRODUCT IS NOT INTENDED TO BE EXPOSED TO A MANUFACTURING SOLDER PROCESS.
  - 6.PACKAGING SPEC: SEE GS-14-920
  - 7.CONTACT AREA PLATING: SEE SHEET 1

www.fciconnect.com		surface ISO 1302	tolerance std ISO 406 ISO 1101	projection mm
TOLERANCES UNLESS OTHERWISE SPECIFIED				
Dr	GOISNARD	2006/03/06	ANGULAR	size A3
Eng	GOISNARD	2006/03/06	LINEAR	Scale 10
Chr	LEGARE	2006/03/06	0.11 ± 2	ECN LS08-0057
Appr	LEGARE	2006/03/06	Product family	BACKPANEL Spec ref -
			<b>COAX COUPLER</b> FEMALE 50 SHORT	Rev. <b>R</b>
catalog no			77427	CUSTOMER sheet 4 of 5

PDM: Rev:R STATUS:Released Printed: Oct 01, 2010

LEAD-FREE P/N	IMPEDANCE
77427-X05LF	50 Ohm



- NOTES:
- 1.UNDERPLATING Ni
  - 2.DIMENSIONS ACCORDING TO DIN 41626
  - 3.GENERAL TOLERANCE  $\pm 0.10$
  - 4.THIS PRODUCT WITH "LF" SUFFIX MEETS EUROPEAN UNION DIRECTIVES AND OTHER COUNTRY REGULATIONS AS DESCRIBED IN GS -22-008.
  - 5.THE PRODUCT IS NOT INTENDED TO BE EXPOSED TO A MANUFACTURING SOLDER PROCESS.
  - 6.PACKAGING SPEC: SEE GS-14-920
  - 7.CONTACT AREA PLATING: SEE SHEET 1

European Views

www.fciconnect.com		surface ISO 1302	tolerance std ISO 406 ISO 1101	projection A3	mm
TOLERANCES UNLESS OTHERWISE SPECIFIED					
Dr	GOISNARD	2006/03/06	ANGULAR	0.X	$\pm 0.1$
Eng	GOISNARD	2006/03/06	LINEAR	0.XX	$\pm 0.1$
Chr	LEGARE	2006/03/06	0.XX	0.XXX	$\pm 0.1$
Appr	LEGARE	2006/03/06	Product family	BACKPANEL	Spec ref -
FCj			Title COAX COUPLER		Rev. R
FEMALE 50 LONG			Dwg no 77427		CUSTOMER sheet 5 of 5
catalog no			-		

PDM: Rev:R STATUS:Released Printed: Oct 01, 2010