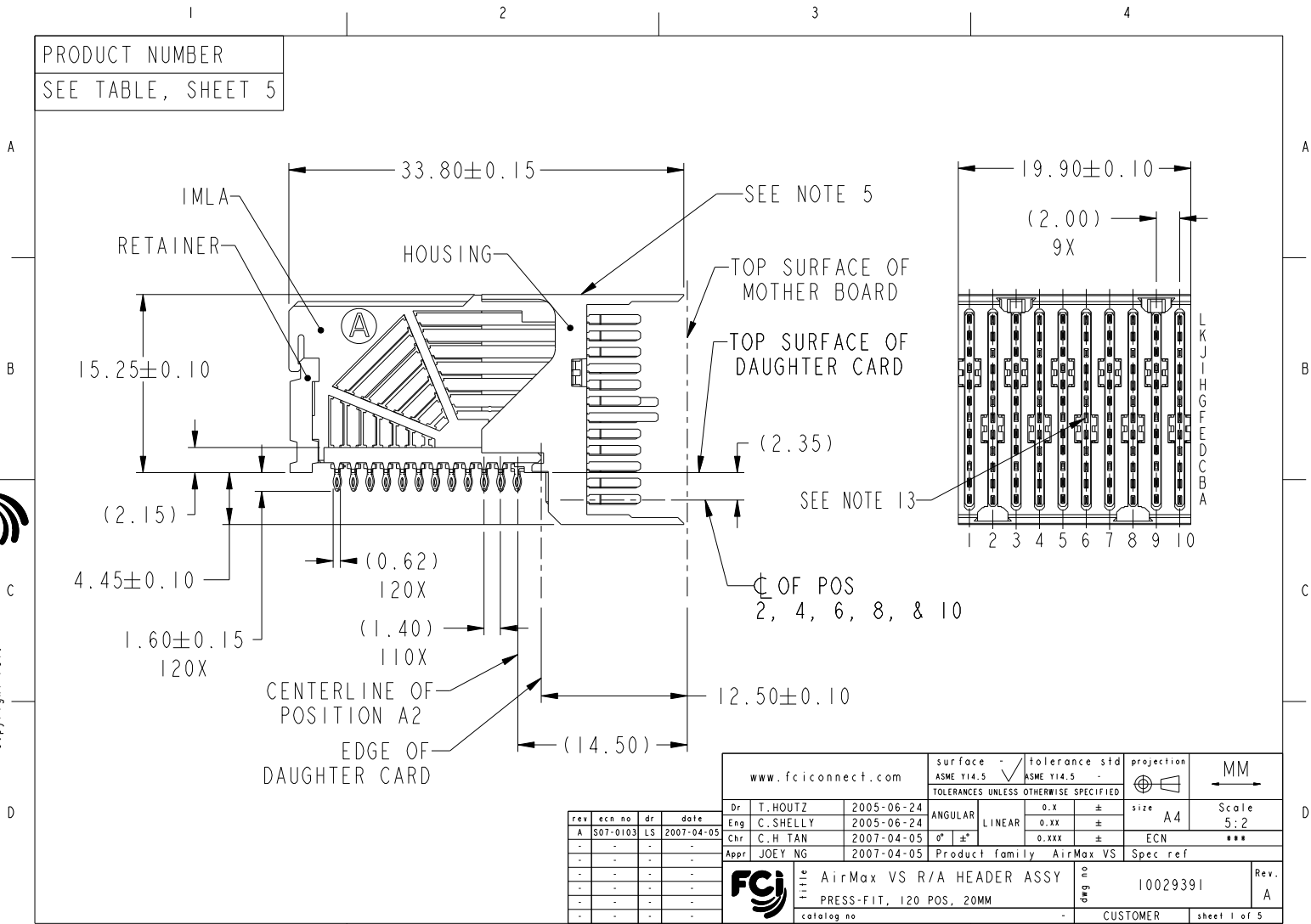


PRODUCT NUMBER
SEE TABLE, SHEET 5



Copyright FCI.

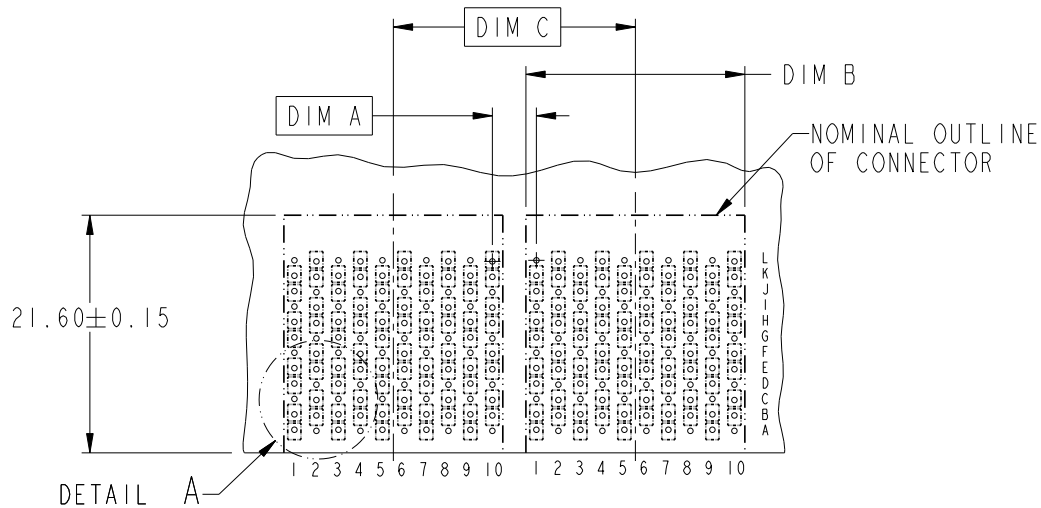
rev	ecn no	dr	date
A	S07-0103	LS	2007-04-05
-	-	-	-
-	-	-	-
-	-	-	-
-	-	-	-

www.fciconnect.com		surface	tolerance std	projection	MM
		ASME Y14.5	ASME Y14.5		Scale
		TOLERANCES UNLESS OTHERWISE SPECIFIED			5:2
Dr	T. HOUTZ	2005-06-24	ANGULAR	0.x	±
Eng	C. SHELLY	2005-06-24	LINEAR	0.xx	±
Chr	C. H. TAN	2007-04-05	0° ±	0.xxx	±
Appr	JOEY NG	2007-04-05	Product family	AirMax VS	Spec ref
		AirMax VS R/A HEADER ASSY		part no	10029391
		PRESS-FIT, 120 POS, 20MM		Rev.	A
catalog no		CUSTOMER		sheet 1 of 5	



Copyright FCJ.

DESCRIPTION	DIM A	DIM B	DIM C
2-20MM MODULES PLACED END-TO-END	2.00	19.90 2X	20.00
1-20MM MODULE & 1-22MM MODULE PLACED END-TO-END	3.00	19.90 1X & 21.90 1X	21.00



RECOMMENDED PCB LAYOUT
FOR DIFFERENTIAL APPLICATIONS
COMPONENT SIDE
(TWO ADJACENT FOOTPRINTS SHOWN)
NOTES 6 & 7

	title	AirMax VS R/A HEADER ASSY	drwg no	10029391	Rev.	A
	catalog no	PRESS-FIT, 120 POS, 20MM	-	CUSTOMER	sheet	2 of 5

PDM: Rev:A

STATUS:Released

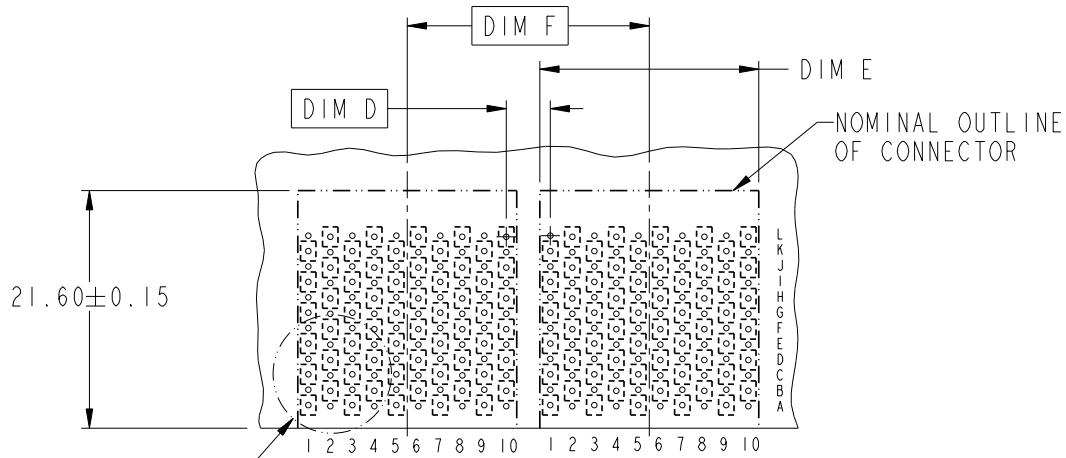
4 Printed: Nov 30, 2010

REV F - 2008-04-17



Copyright FCJ.

DESCRIPTION	DIM D	DIM E	DIM F
2-20MM MODULES PLACED END-TO-END	2.00	19.90 2X	20.00
1-20MM MODULE & 1-22MM MODULE PLACED END-TO-END	3.00	19.90 1X & 21.90 1X	21.00



RECOMMENDED PCB LAYOUT
FOR SINGLE ENDED APPLICATIONS
COMPONENT SIDE
(TWO ADJACENT FOOTPRINTS SHOWN)
NOTES 6 & 7

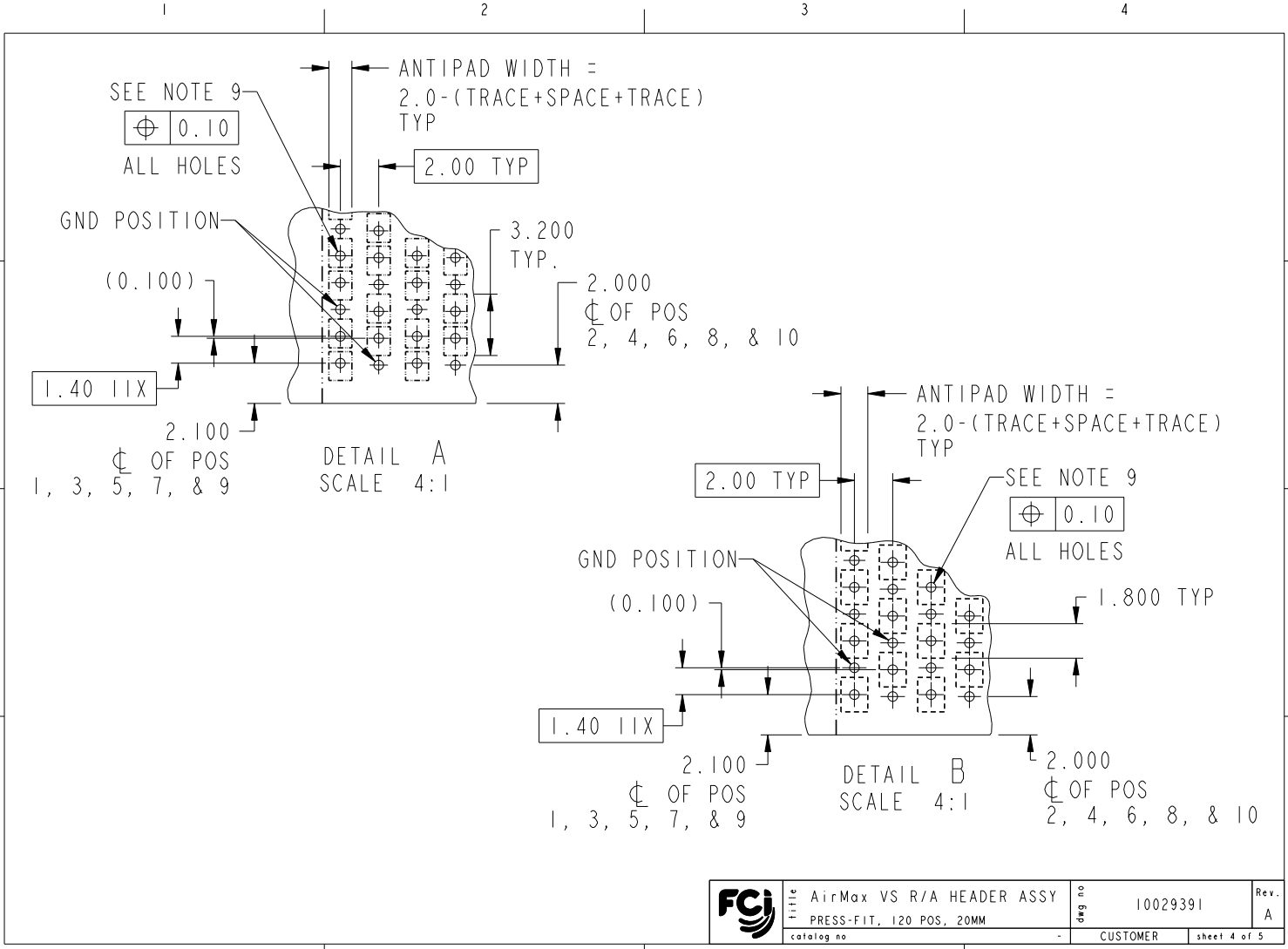
	title AirMax VS R/A HEADER ASSY PRESS-FIT, 120 POS, 20MM	dwg no 10029391	Rev. A
	catalog no -	CUSTOMER	sheet 3 of 5

REV F - 2010-04-17

PDM: Rev:A STATUS:Released ⁴Printed: Nov 30, 2010



Copyright FCJ.



REV F - 2000-04-17

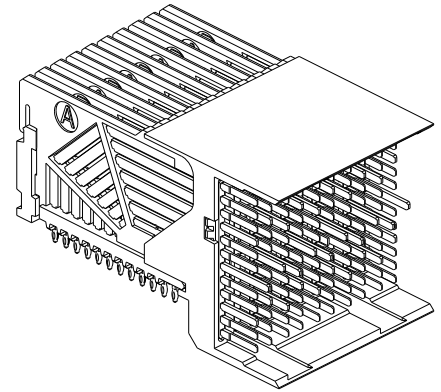
	title	AirMax VS R/A HEADER ASSY	dwg no	10029391	Rev.	A
	catalog no	PRESS-FIT, 120 POS, 20MM	-	CUSTOMER	sheet	4 of 5

PDM: Rev:A STATUS:Released 4 Printed: Nov 30, 2010

PART NUMBER	PRESS-FIT TAIL PLATING TYPE	SHORT DETECT CONTACT
10029391-101	TIN/LEAD ALLOY OVER NICKEL	NO
10029391-101LF	TIN OVER NICKEL (LEAD FREE)	
10029391-111	TIN/LEAD ALLOY OVER NICKEL	YES (SEE NOTE 13)
10029391-111LF	TIN OVER NICKEL (LEAD FREE)	

NOTES:

1. CONNECTOR MATERIALS:
HOUSING & RETAINER: HIGH TEMP THERMOPLASTIC, NATURAL, UL94V-0
IMLA PLASTIC: HIGH TEMP THERMOPLASTIC, BLACK, UL94V-0
CONTACT: COPPER ALLOY
2. CONTACT PLATING:
SEPARABLE INTERFACE:
PERFORMANCE-BASED PLATING, QUALIFIED TO MEET THE REQUIREMENTS OF FCI PRODUCT SPECIFICATION GS-12-239, INCLUDING TELCORDIA GR-1217-CORE (NOVEMBER 1995) CENTRAL OFFICE.
PRESS-FIT TAILS: SEE TABLE
3. PRODUCT SPECIFICATION: GS-12-239
4. APPLICATION SPECIFICATION: GS-20-035
5. PRODUCT MARKING, (PART NUMBER & LOT CODE), ON THIS SURFACE
6. REFER TO CUSTOMER DRAWING 10035911 FOR INFORMATION REGARDING PCB LAYOUT OF POWER AND GUIDE MODULES RELATIVE TO SIGNAL MODULES
7. POSITIONS F OF ODD NUMBERED COLUMNS AND POSITIONS G OF EVEN NUMBERED COLUMNS CORRESPOND TO EARLY MATE HEADER PINS
8. THERE IS NO GROUND BUSSING WITHIN THE CONNECTOR SYSTEM
9. REFER TO CUSTOMER DRAWING 10045979 FOR INFORMATION ON PCB HOLE DIAMETERS AND PLATING OPTIONS.



10. THIS PRODUCT MEETS EUROPEAN UNION DIRECTIVES AND OTHER COUNTRY REGULATIONS AS DESCRIBED IN GS-22-008.
11. THE HOUSING WILL WITHSTAND EXPOSURE TO 260°C PEAK TEMPERATURE FOR 40 SECONDS IN A CONVECTION, INFRA-RED OR VAPOR PHASE REFLOW OVEN.
12. PACKAGING MEETS GS-14-920 LEAD FREE LABELING SPECIFICATION.
13. MATING PIN F6 IS SHORTER THAN ALL REMAINING SIGNAL PINS. NOMINAL MATING WIPE FOR PIN F6 IS 0.5MM LESS THAN ALL REMAINING SIGNAL PINS.

FCJ	title	AirMax VS R/A HEADER ASSY	drwg no	10029391	Rev.	A
	catalog no	PRESS-FIT, 120 POS, 20MM	-	CUSTOMER	sheet	5 of 5



Copyright FCI.