

**MHDMR SERIES**

# MINI HIGH SPEED I/O RECEPTACLES

**SPECIFICATIONS**

For complete specifications and recommended PCB layouts see [www.samtec.com?MHDMR](http://www.samtec.com?MHDMR)

**Insulator Material:**

Black Glass Filled Thermoplastic



**Contact Material:**

Phosphor Bronze

**Shell Material:**

Brass

**Plating:**

Au over Ni on contacts, Ni on shell

**Operating Temp Range:**

-25 °C to +85 °C

**Current Rating:**

.5 A min.

**Voltage Rating:**

40 VAC

**Contact Resistance:**

30mΩ max

**Minimum Cycles:**

100

**Lead-Free Solderable:**

Yes

**RoHS Compliant:**

Yes

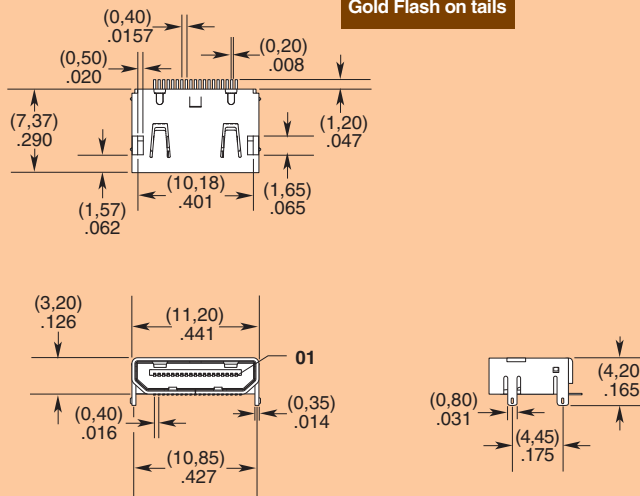
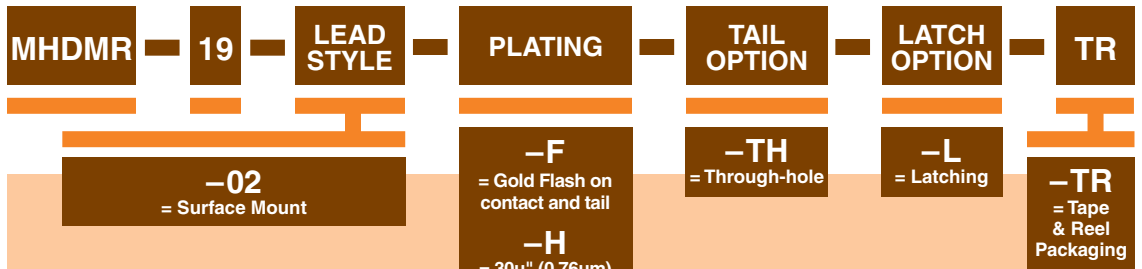
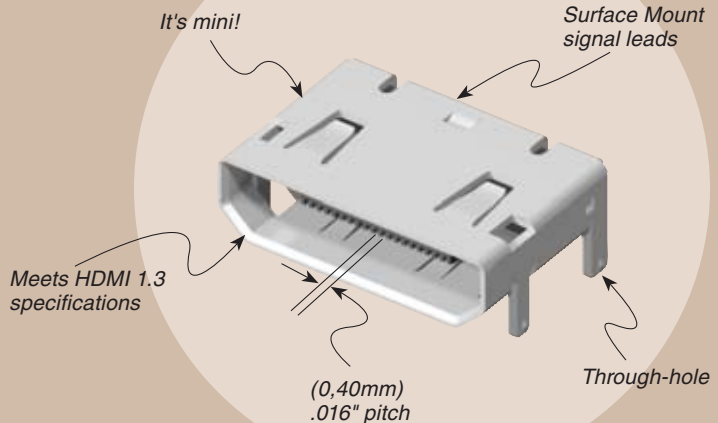
**SMT Lead Coplanarity:**

(0,10mm) .004" max

Mates with:  
HPSTP-M, HPSTP-ML



• Latching option



HDMI™ is a trademark of HDMI Licensing LLC.

**Note:** Some lengths, styles and options are non-standard, non-returnable.

Due to technical progress, all designs, specifications and components are subject to change without notice.

[WWW.SAMTEC.COM](http://WWW.SAMTEC.COM)