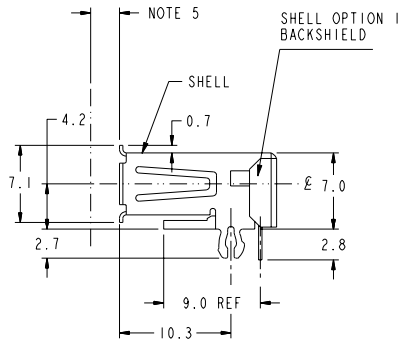
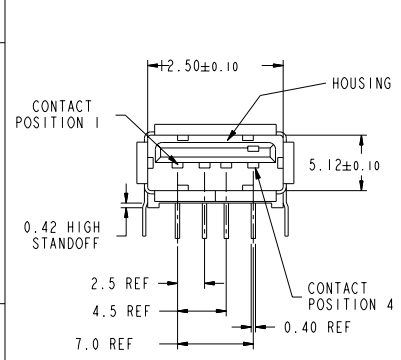
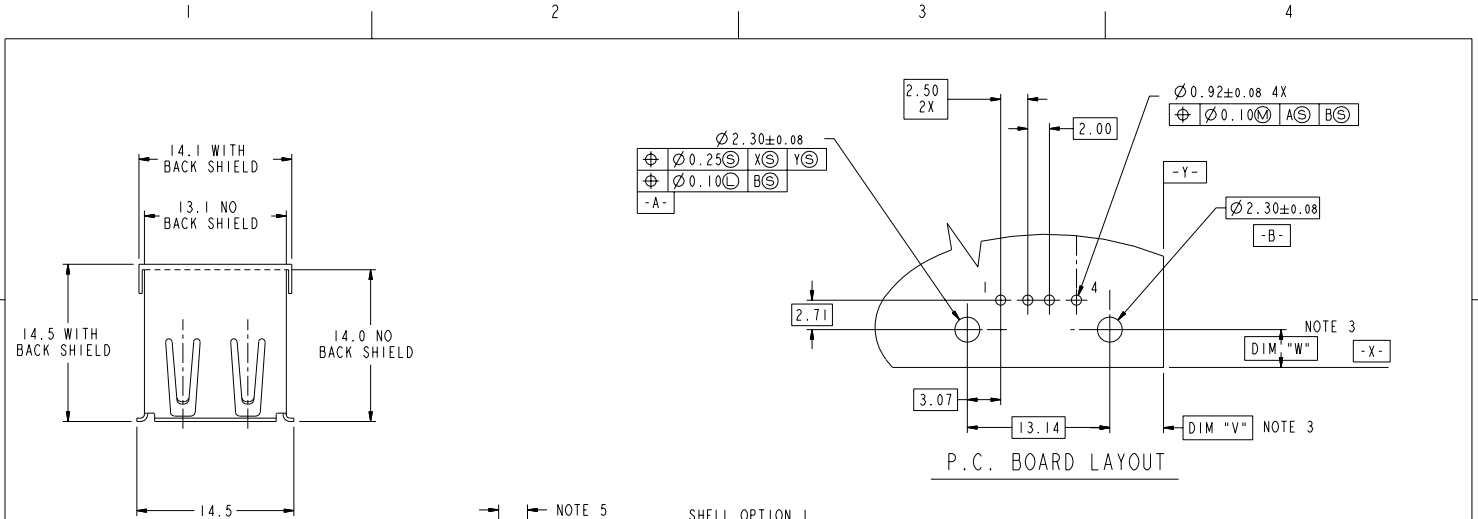




Copyright FCJ.



- NOTES:
- MATERIAL:
CONTACTS: COPPER ALLOY
SHELL: COPPER ALLOY
HOUSING: UL 94V-0 RATED THERMOPLASTIC;
 - PLATING:
CONTACTS: SEE PRODUCT NUMBER CODE
SHELL: SEE PRODUCT NUMBER CODE;
 - DATUM AND BASIC DIMENSIONS ESTABLISHED BY CUSTOMER;
 - RECOMMENDED PC BOARD THICKNESS OF 1.57mm (EXCEPT STYLE 5 1.20mm)
 - 2.67mm MAXIMUM PANEL THICKNESS IF MOUNTED BEHIND PANEL;
 - CONTACT PLATING CODE OPTION 1 DOES NOT MEET THE PLATING SPECIFIED PER UNIVERSAL SERIAL BUS SPECIFICATION REVISION 1.0;
 - PRODUCT SPEC GS-12-095 & PACKAGING SPEC GS-14-393;
 - COMPLIED WITH USB 2.0 & TID NUMBER 60000204;
 - 87520-1010XX, -1012XX, 3010XX, -3012XX, -5010XX, -6010XX AND -7010XXLF DURABILITY MET 5000 CYCLES THE OTHER DASH NUMBER MEET USB 2.0 DURABILITY 1500 CYCLES.
(TO BE CONTINUED)

www.fciconnect.com				surface	tolerance std	projection	MM
				ANGULAR	0.x ±0.3	size	Scale
				LINEAR	0.xx ±0.2	A4	4.000
				0° ±3°	0.xxx ±	ECN	
				Product family		Spec ref	
Dr	FUSSELMAN	3/1/96					
Eng	J. DAVID	3/1/96					
Chr	J. DAVID	6/5/96					
Appr	J. DAVID	6/5/96					
rev	ecn no	dr	date				
AJ	N09-0133	R.B	04/28/2009				
AF	N07-0176	WG	07/31/07				
AG	N08-0012	R.B	2008/01/23				
AR	N08-0238	R.B	2008/11/03				
FCJ				USB RECEPTACLE		87520	
				USB		CUSTOMER	
				catalog no		sheet 1 of 3	

PRODUCT NUMBER CODE

87520- X X X X X P X LF

BASE PRODUCT NUMBER

HOUSING COLOR AND SHELL PLATING OPTIONS

- 0 - WHITE+SHELL TIN & NICKEL PLATING
- 1 - BLACK+SHELL TIN & NICKEL PLATING
- 2 - WHITE+SHELL NICKEL PLATING ONLY
- 3 - BLACK+SHELL NICKEL PLATING ONLY
- 4 - WHITE FR50 + SHELL TIN & NICKEL PLATING FOR NON LEAD FREE P/N'S
CHANGE WHITE FR50 TO WHITE PA46 FOR LEAD FREE P/N'S
- 5 - BLACK NYLON 66 + SHELL TIN & NICKEL PLATING FOR NON LEAD FREE P/N'S
CHANGE BLACK NYLON 66 TO BLACK PA46 FOR LEAD FREE P/N'S
- 6 - WHITE FR50+SHELL TIN & NICKEL PLATING FOR NON LEAD FREE P/N'S
CHANGE WHITE FR50 TO WHITE PA46 FOR LEAD FREE P/N'S
- 7 - WHITE PA46+SHELL TIN & NICKEL PLATING

SHELL TYPE OPTION

- 0 - NO BACK SHIELD, SEE STYLE 1 FOR DURABILITY 1500 CYCLES
SEE STYLE 4 FOR DURABILITY 5000 CYCLES
- 1 - BACK SHIELD, SEE STYLE 2
- 2 - PARTIAL BACK SHIELD, SEE STYLE 3
- 5 - NO BACK SHIELD, SEE STYLE 4 WITH HIGH PERFORMANCE MATERIAL
FOR DURABILITY 12,000 CYCLES, NI PLATING ONLY

MOUNTING HOLE OPTIONS

- 1 - NONE

TERMINAL PLATING OPTION

- 0 - 1.25um Ni UNDERPLATE
0.76um GXT CONTACT AREA
2.50um TIN/LEAD TAIL AREA FOR P/N'S
- 2 - 1.25um Ni UNDERPLATE
0.76um /30u" GOLD CONTACT AREA
2.50um TIN/LEAD TAIL AREA FOR P/N'S

PACKAGING OPTIONS

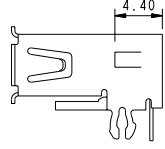
- A - TAPE AND REEL
- B - TUBES

DATE CODE

- SPECIAL OPTION:
S: PANASONIC ONLY
B: FOR 1.20mm THICKNESS PCB

LEAD FREE OPTION

P/N'S WITH SUFFIX "LF" MEAN LEAD FREE PRODUCT
FOR LEAD FREE P/N, CHANGE ALL ORIGINAL TIN/LEAD PLATING TO PURE TIN PLATING

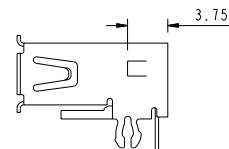


STYLE 4 WITHOUT BACK SHELL

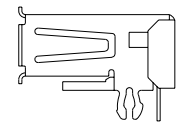
- FOR 87520-1010XXLF
-1012XXLF
-3010XXLF
-3012XXLF
-5012XXLF
-6010XXLF
-7010XXSLF
-3S10XPLF
-3S12XPBLF

AVAILABLE PART NUMBER LIST

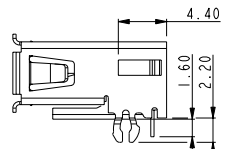
- 87520-0010XXLF
- 87520-0012XXLF
- 87520-0210XXLF
- 87520-1010XXLF
- 87520-1012XXLF
- 87520-0110XXLF
- 87520-0112XXLF
- 87520-1110XXLF
- 87520-1112XXLF
- 87520-2010XXLF
- 87520-2012XXLF
- 87520-2110XXLF
- 87520-2112XXLF
- 87520-2210XXLF
- 87520-3010XXLF
- 87520-3012XXLF
- 87520-3110XXLF
- 87520-3112XXLF
- 87520-4010XXLF
- 87520-4110XXLF
- 87520-5010XXLF/5010XXSLF
- 87520-5110XXLF
- 87520-6010XXLF
- 87520-7010XXSLF
- 87520-3010APBLF
- 87520-3S10XPLF
- 87520-3S12XPBLF
- 87520-3S12XPBLF



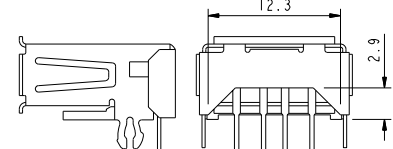
STYLE 1 WITHOUT BACK SHELL



STYLE 2 WITH BACK SHELL



STYLE 5 WITHOUT BACK SHELL
FOR 1.20mm THICKNESS PCB
87520-3X10APBLF



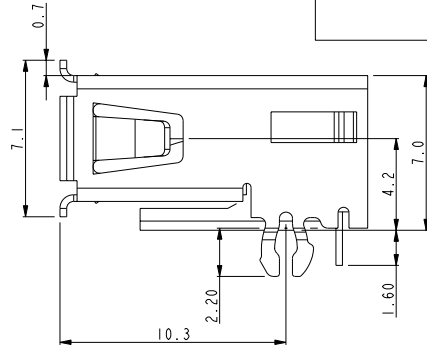
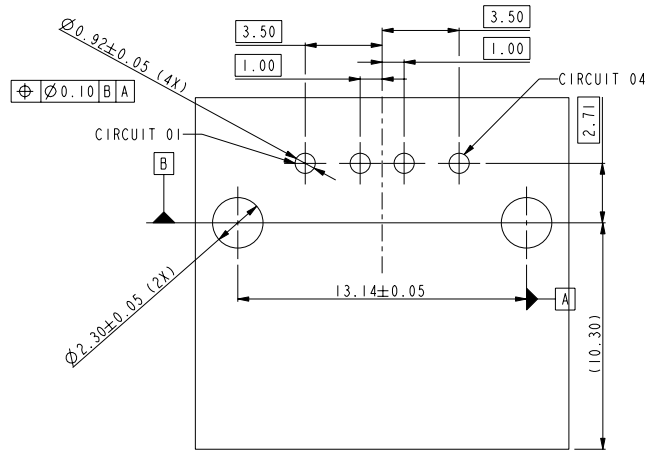
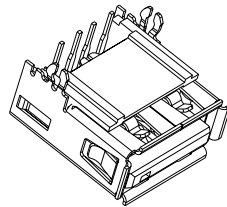
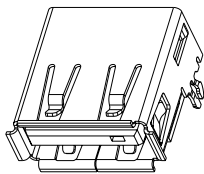
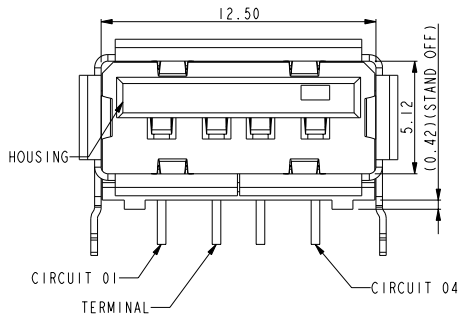
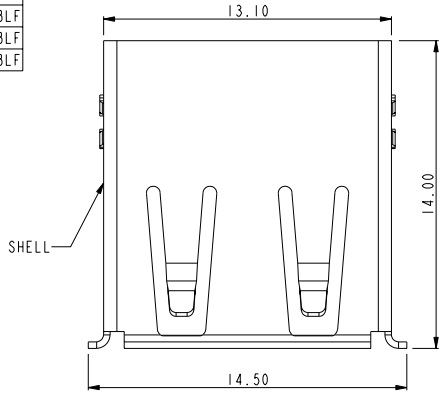
STYLE 3 WITH PARTIAL BACK SHELL

- (CONTINUED)
- 10. PACKING STANDARD GS-14-920
WILL BE APPLIED FOR LEAD FREE P/N'S;
 - 11. FOR LEAD FREE P/N, THE PRODUCT MEET
EUROPEAN UNION DIRECTIVES AND
OTHER COUNTRY REGULATION AS DESCRIBED IN GS-22-008;
 - 12. THE HOUSING WILL WITHSTAND EXPOSURE TO 260°C PEAK
TEMPERATURE FOR 40 SECONDS IN A CONVECTION, INFRO-RED
OR VAPOR PHASE REFLOW OVEN;
 - 13. 87520-1010XXLF/-3010XXLF/-5010XXLF CAN WITHSTAND 2Amps
CURRENT EITHER PARALLEL OR SERIALS
(TESTING PLUG WITH 20 AWG WIRE);
 - 14. THE PRODUCT CAN BE USED FOR PIP PROCESS.

www.fciconnect.com		surface	tolerance	std	projection	MM	
		ANGULAR	TOLERANCES UNLESS OTHERWISE SPECIFIED		⊕	←	
Dr	FUSSELMAN	3/1/96	LINEAR	0.X	±0.3	size	A4
Eng	J. DAVID	3/1/96	0° ±3°	0.XX	±0.2	Scale	4.000
Chr	J. DAVID	6/5/96	Product family		0.XXX	±	ECN
Appr	J. DAVID	6/5/96	Product family		Spec ref		
FCj		USB RECEPTACLE		dwg no	87520		Rev.
		USB				CUSTOMER	AJ
		catalog no				sheet 2 of 3	

REV. 1 - 2004-04-07

PART NUMBER
87520-3010APBLF
87520-3S10XPBLF
87520-3S12XPBLF



RECOMMENDED PCB LAYOUT
COMPONENT SIDE

www.fciconnect.com		surface	tolerance std	projection	MM
		TOLERANCES UNLESS OTHERWISE SPECIFIED			←
Dr	FUSSELMAN	3/1/96	ANGULAR	0.x	±0.3
Eng	J. DAVID	3/1/96	LINEAR	0.xx	±0.2
Chr	J. DAVID	6/5/96	0° ±3°	0.xxx	±
Appr	J. DAVID	6/5/96	Product family	ECN	
				Spec ref	
	TITLE		87520		Rev.
	USB		CUSTOMER		AJ
	catalog no		sheet 3 of 3		

PDM: Rev:AJ

STATUS Released 4 Printed: Jul 28, 2010

REV 1 - 2004-04-07



Copyright FCI.