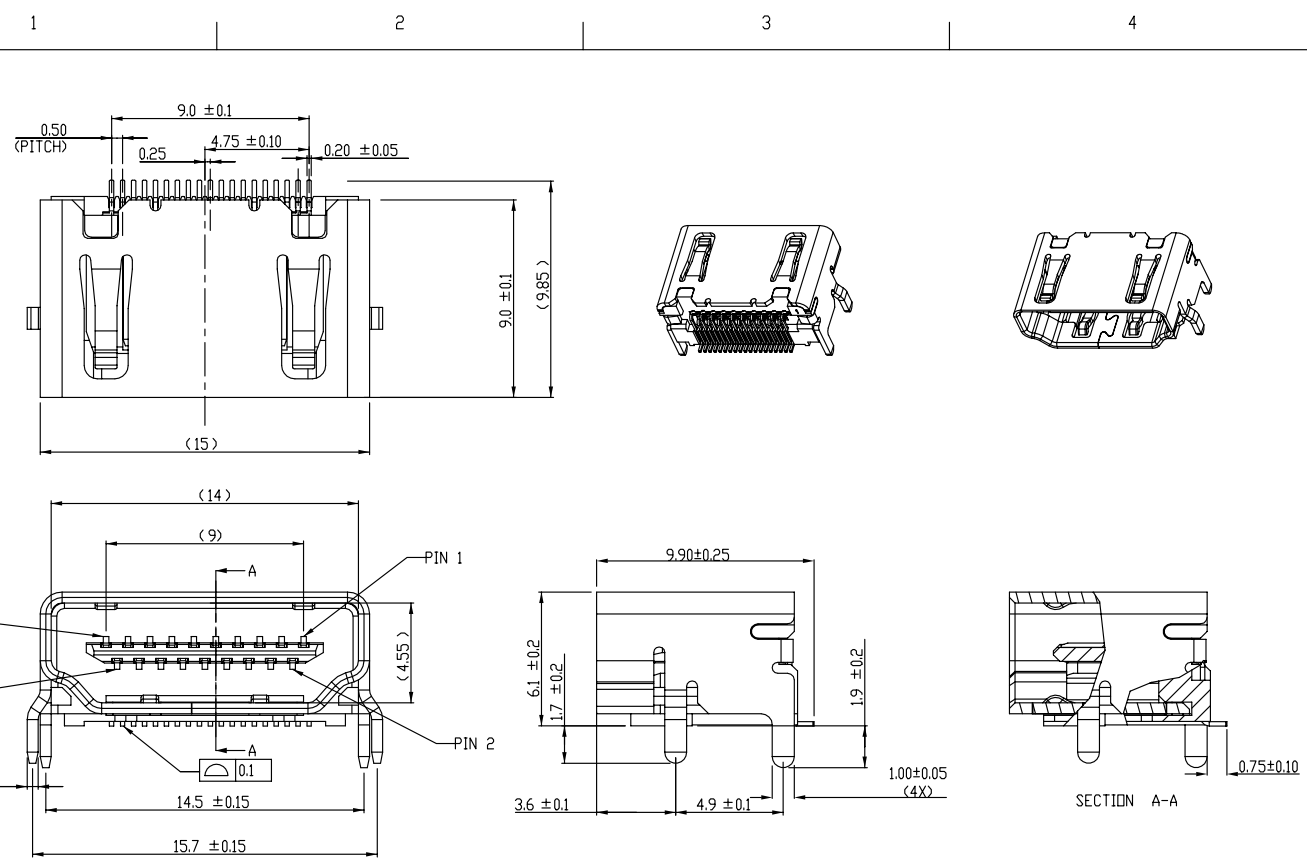




Copyright FCI.

PRODUCT NO.  
10029449-X01XLF

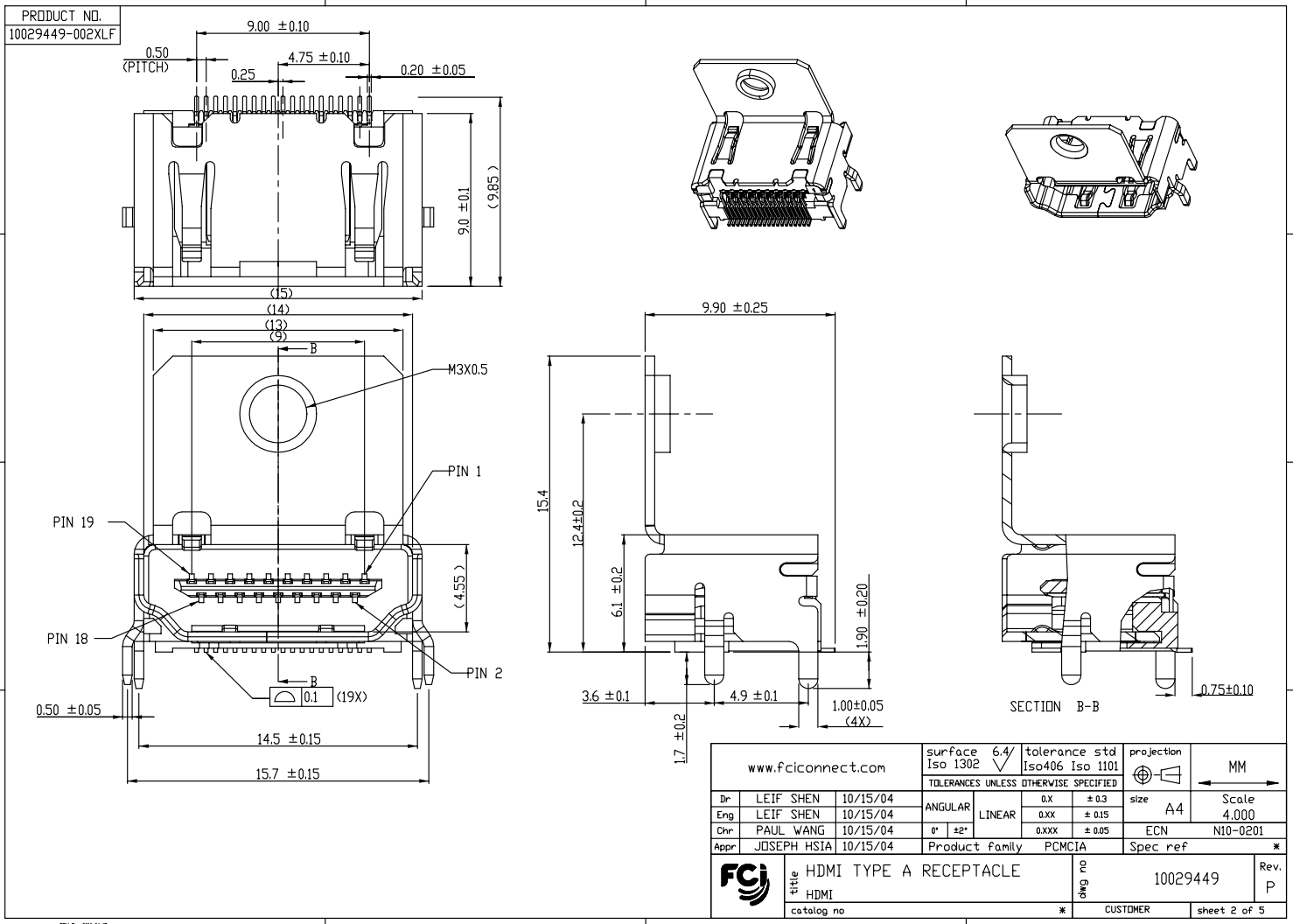


www.fciconnect.com				surface 6,4 Iso 1302	tolerance std Iso406 Iso 1101	projection MM	
				ANGULAR	LINEAR	0.X ± 0.3 0.XX ± 0.15 0.XXX ± 0.05	size A4 Scale 4.000
				TOLERANCES UNLESS OTHERWISE SPECIFIED		ECN N10-0201	Spec ref N10-0201
rev	ecn no	dr	date	Dr	10/15/04		
M	N09-0307	SH	10/21/09	Eng	LEIF SHEN		
N	N10-0033	SH	02/01/10	Chr	PAUL WANG		
P	N10-0201	KW	2011-02-14	Appr	JOSEPH HSIA	Product family	HDMI
						title	HDMI TYPE A RECEPTACLE
						part no	10029449
						Rev.	P
						catalog no	CUSTOMER
						sheet 1 of 5	

3 PDM: Rev:P STATUS Released 4 Printed: Apr 16, 2011



Copyright FCI.



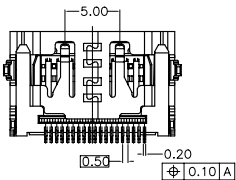
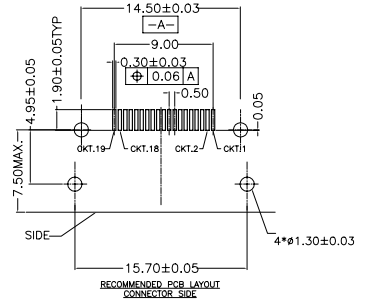
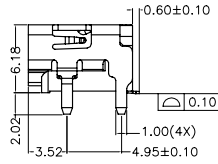
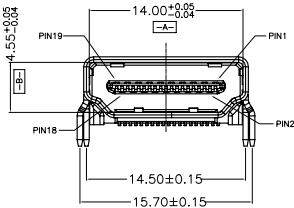
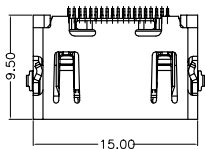
www.fciconnect.com		surface 6/4 Iso 1302	tolerance std Iso406 Iso 1101	projection MM
TOLERANCES UNLESS OTHERWISE SPECIFIED		0.X ±0.3	size A4	Scale 4.000
Dr LEIF SHEN 10/15/04	ANGULAR	0.XX ±0.15	ECN N10-0201	
Eng LEIF SHEN 10/15/04	LINEAR	0.XXX ±0.05		
Chr PAUL WANG 10/15/04	0° ±2°			
Appr JOSEPH HSIA 10/15/04	Product family PCMCIA	Spec ref		
FCI	title HDMI TYPE A RECEPTACLE	Rev. P	10029449	Rev. P
catalog no			CUSTOMER	sheet 2 of 5

3 PDM: Rev:P STATUS Released 4 Printed: Apr 16, 2011



1	2	3	4
PRODUCT NO.	CONTACT AREA PLATING	SHIELD FIGURE	PACKING
10029449-111RLF	GOLD FLASH	WITHOUT FLANGE	TAPE AND REEL

NOTE:  
 1.MATERIAL:  
 HOUSING: HIGH TEMP.THERMOPLASTIC, UL 94V-0  
 COLOR: BLACK.  
 CONTACT: PHOSPHOR BRONZE  
 SHIELD: BRASS  
 2.FINISH:  
 CONTACT: SEE THE TABLE  
 SHIELD: Ni 50u" MIN.  
 3.TERMINAL RETENTION FORCE TO BE 0.3kgf MIN.



www.fcconnect.com		surface 6/4 Iso 1302	tolerance std Iso406 Iso 1101	projection MM
TOLERANCES UNLESS OTHERWISE SPECIFIED		ANGULAR	LINEAR	size A4
Dr	LEIF SHEN 10/15/04	0° ±2°	0.X ±0.3 0.XX ±0.15 0.XXX ±0.05	Scale 2.000
Eng	LEIF SHEN 10/15/04			ECN N10-0201
Chr	PAUL WANG 10/15/04			
Appr	JOSEPH HSIA 10/15/04	Product family	HDMI	Spec ref
FCj	title HDMI TYPE A RECEPTACLE	cat no	10029449	Rev. P
			CUSTOMER	sheet 4 of 5

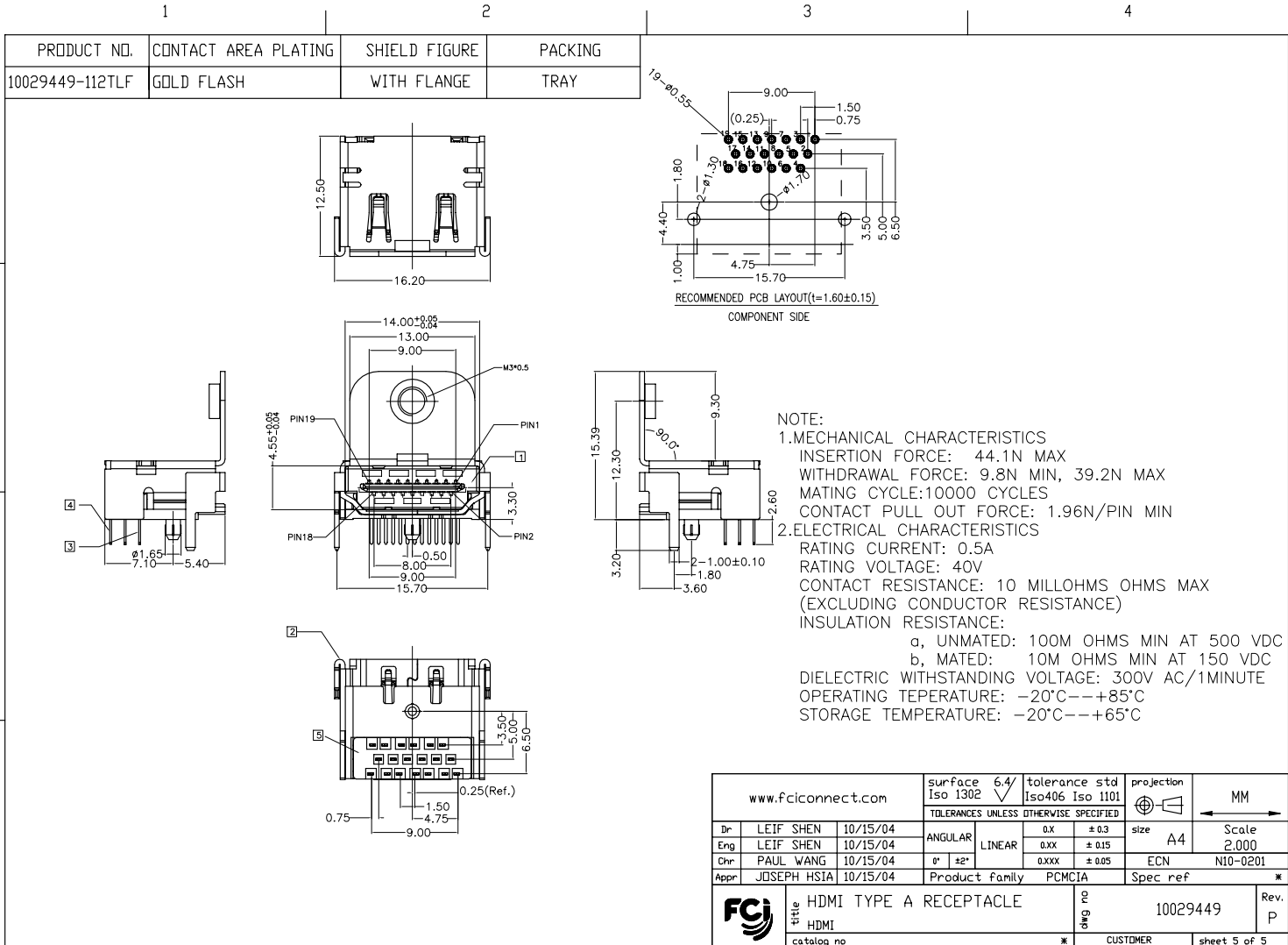


Copyright FCj.

REV 7 - 2004-07



Copyright FCI.



www.fciconnect.com			surface 6/4 Iso 1302	tolerance std Iso406 Iso 1101	projection MM
TOLERANCES UNLESS OTHERWISE SPECIFIED			ANGULAR	LINEAR	size A4
Dr	LEIF SHEN	10/15/04	0°	±2°	Scale 2.000
Eng	LEIF SHEN	10/15/04	0.xxx	±0.05	ECN N10-0201
Chr	PAUL WANG	10/15/04	0.xxx	±0.05	
Appr	JOSEPH HSIA	10/15/04	Product family PCMCIA		Spec ref
title HDMI TYPE A RECEPTACLE title HDMI catalog no			10029449 CUSTOMER		Rev. P sheet 5 of 5

REV 1 - 2004-07