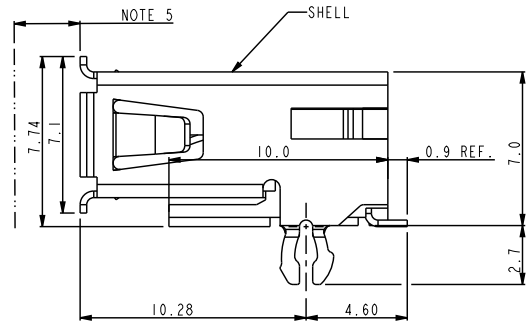
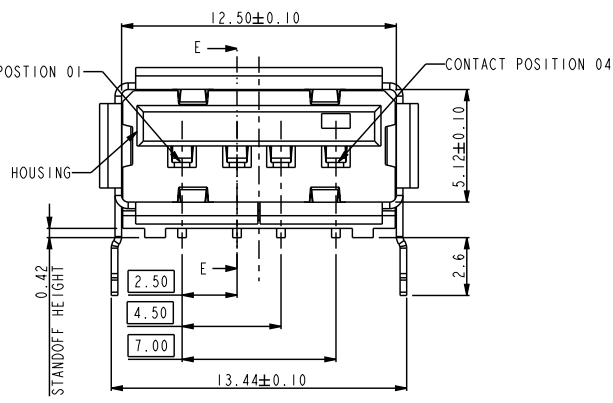


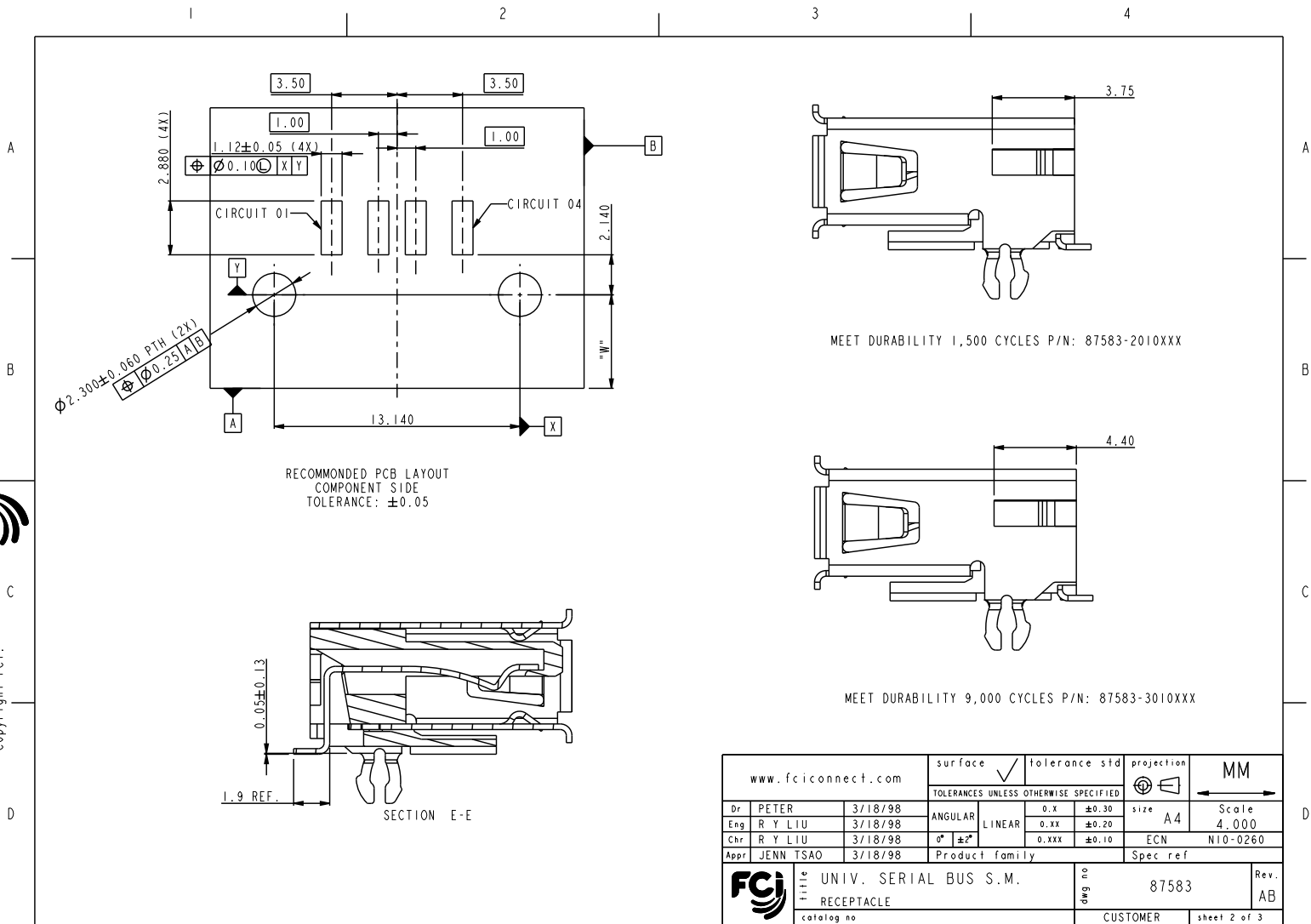
NOTES:
 1. MATERIAL:
 TERMINAL: COPPER ALLOY
 SHELL: COPPER ALLOY
 HOUSING: THERMOPLASTIC, UL94 V-0;
 2. PLATING: SEE PART NUMBER CODE;
 3. DATUM AND BASIC DIMENSIONS ESTABLISHED BY CUTOMER;
 4. RECOMMENDED PCB THICKNESS IS 1.57MM;
 5. 2.67MM MAXIMUM PANEL THICKNESS IF MOUNTED BEHIND PANEL;
 6. PRODUCT SPECIFICATION: GS-12-095;
 7. PACKAGE SPECIFICATION: GS-14-393;
 8. COMPLIED WITH USB 2.0 AND TID NUMBER 60000205;
 9. 87583-3010XXX DURABILITY MEET USB 2.0 1,500 CYCLES,
 AND THE OTHER PART MEET USB 2.0 1,500 CYCLES;
 (TO BE CONTINUED ON PAGE 3)



FCJ
 Copyright FCI.

www.fciconnect.com		surface	tolerance std	projection	MM																																																				
Dr PETER 3/18/98		ANGULAR	0.x ±0.30	size A4	Scale 4.000																																																				
Eng R Y LIU 3/18/98		LINEAR	0.xx ±0.20	ECN N10-0260																																																					
Chr R Y LIU 3/18/98		0° ±2°	0.xxx ±0.10	Spec ref																																																					
Appr JENN TSAO 3/18/98		Product family																																																							
<table border="1"> <tr><th>rev</th><th>ecn no</th><th>dr</th><th>date</th></tr> <tr><td>W</td><td>N07-0304</td><td>R.B</td><td>12/31/2007</td></tr> <tr><td>X</td><td>N08-0162</td><td>R.B</td><td>08/06/2008</td></tr> <tr><td>Y</td><td>N08-0238</td><td>R.B</td><td>11/03/2008</td></tr> <tr><td>AA</td><td>N09-0356</td><td>R.B</td><td>11/05/2009</td></tr> <tr><td>AB</td><td>N10-0260</td><td>K.W</td><td>08/17/2010</td></tr> <tr><td>V</td><td>N07-0050</td><td>WS</td><td>02/13/2007</td></tr> </table>		rev	ecn no	dr	date	W	N07-0304	R.B	12/31/2007	X	N08-0162	R.B	08/06/2008	Y	N08-0238	R.B	11/03/2008	AA	N09-0356	R.B	11/05/2009	AB	N10-0260	K.W	08/17/2010	V	N07-0050	WS	02/13/2007	<table border="1"> <tr><th>Dr</th><td>PETER</td><td>3/18/98</td></tr> <tr><th>Eng</th><td>R Y LIU</td><td>3/18/98</td></tr> <tr><th>Chr</th><td>R Y LIU</td><td>3/18/98</td></tr> <tr><th>Appr</th><td>JENN TSAO</td><td>3/18/98</td></tr> </table>		Dr	PETER	3/18/98	Eng	R Y LIU	3/18/98	Chr	R Y LIU	3/18/98	Appr	JENN TSAO	3/18/98	<table border="1"> <tr><th>surface</th><td>ANGULAR</td></tr> <tr><th>tolerance std</th><td>0.x ±0.30</td></tr> <tr><th>projection</th><td>size A4</td></tr> <tr><th>scale</th><td>Scale 4.000</td></tr> <tr><th>ECN</th><td>ECN N10-0260</td></tr> <tr><th>Spec ref</th><td></td></tr> </table>		surface	ANGULAR	tolerance std	0.x ±0.30	projection	size A4	scale	Scale 4.000	ECN	ECN N10-0260	Spec ref	
rev	ecn no	dr	date																																																						
W	N07-0304	R.B	12/31/2007																																																						
X	N08-0162	R.B	08/06/2008																																																						
Y	N08-0238	R.B	11/03/2008																																																						
AA	N09-0356	R.B	11/05/2009																																																						
AB	N10-0260	K.W	08/17/2010																																																						
V	N07-0050	WS	02/13/2007																																																						
Dr	PETER	3/18/98																																																							
Eng	R Y LIU	3/18/98																																																							
Chr	R Y LIU	3/18/98																																																							
Appr	JENN TSAO	3/18/98																																																							
surface	ANGULAR																																																								
tolerance std	0.x ±0.30																																																								
projection	size A4																																																								
scale	Scale 4.000																																																								
ECN	ECN N10-0260																																																								
Spec ref																																																									
<table border="1"> <tr><th>FCJ</th><td>UNIV. SERIAL BUS S.M.</td><td>eng no</td><td>87583</td><td>Rev.</td><td>AB</td></tr> <tr><th>RECEPTACLE</th><td></td><td></td><td></td><td></td><td></td></tr> <tr><th>catalog no</th><td></td><td>CUSTOMER</td><td>sheet 1 of 3</td><td></td><td></td></tr> </table>		FCJ	UNIV. SERIAL BUS S.M.	eng no	87583	Rev.	AB	RECEPTACLE						catalog no		CUSTOMER	sheet 1 of 3																																								
FCJ	UNIV. SERIAL BUS S.M.	eng no	87583	Rev.	AB																																																				
RECEPTACLE																																																									
catalog no		CUSTOMER	sheet 1 of 3																																																						

PDM: Rev:AB STATUS:Released⁴ Printed: Aug 21, 2010



www.fciconnect.com		surface <input checked="" type="checkbox"/>	tolerance std	projection	MM
TOLERANCES UNLESS OTHERWISE SPECIFIED					
Dr	PETER	3/18/98	ANGULAR	LINEAR	size A4 Scale 4.000
Eng	R Y LIU	3/18/98	0°	±*	ECN N10-0260
Chr	R Y LIU	3/18/98	0°	±*	Spec ref
Appr	JENN TSAO	3/18/98	Product family		87583
FCJ		UNIV. SERIAL BUS S.M.		eng no	Rev. AB
RECEPTACLE		catalog no		CUSTOMER	sheet 2 of 3

PDM: Rev:AB STATUS:Released⁴ Printed: Aug 21, 2010

REV F - 2004-04-07

FCJ

Copyright FCI.

PRODUCT NUMBER CODE

87583 - X X X X X P X LF

BASE PRODUCT NUMBER _____

HOUSING COLOR OPTIONS _____

0- WHITE+TIN OVER NICKLE UNDERPLATE
 1- BLACK+TIN OVER NICKLE UNDERPLATE
 2 - WHITE+SHELL Ni PLATING ONLY
 3 - BLACK+SHELL Ni PLATING ONLY
 S - BLACK+SHELL Ni PLATING ONLY
 (SPECIAL MATERIAL FOR 12,000 DURABILITY CYCLES)

SHELL OPTION _____

0 - NO BACK SHIELD

MOUNTING HOLE OPTIONS _____

1 - NONE

TERMINAL PLATING OPTION _____

0 - 50u" Ni UNDERPLATE
 30u" GXT CONTACT AREA
 100u" TIN TAIL AREA

PACKAGING OPTIONS _____

B - TUBES
 R - TAPE & REEL

DATE CODE _____

A FOR AUTOMOTIVE APPLICATION _____
 H FOR HPO SMT

LEAD FREE OPTION _____

AVAILABLE P/N LIST	
87583-0010BHLF	
87583-0010BLF	OB
87583-0010RPLF	OB
87583-1010BLF	OB
87583-1010RPLF	
87583-1010RPLF	OB
87583-2010BLF	
87583-2010BPLF	
87583-2010RLF	
87583-2010RPLF	
87583-3010BLF	
87583-3010BPLF	
87583-3010RPLF	
87583-3010RPLF	
87583-S010XPLF	

(CONTINUE)

9. P/N'S WITH SUFFIX "LF" ARE LEAD FREE P/N'S

10. FOR LEAD FREE P/N, THE PRODUCT MEET EUROPEAN UNION DIRECTIVES AND OTHER COUNTRY REGULATION AS DESCRIBED IN GS-22-008

11. THE HOUSING WILL WITHSTAND EXPOSURE TO 260°C PEAK TEMPERATURE FOR 40 SECONDS IN A CONVECTION, INFRO-RED OR VAPOR PHASE REFLOW OVEN.

12. FOR AUTOMOTIVE APPLICATION: ALL THE TOLERANCES ".XX" ARE ±0.10 UNLESS OTHER SPECIAL NOTIFICATION

www.fciconnect.com		surface <input checked="" type="checkbox"/>	tolerance std	projection	MM
TOLERANCES UNLESS OTHERWISE SPECIFIED					
Dr	PETER	3/18/98	ANGULAR	LINEAR	size A4 Scale 4.000
Eng	R Y LIU	3/18/98	0.x	±0.30	ECN N10-0260
Chr	R Y LIU	3/18/98	0.xx	±0.20	
Appr	JENN TSAO	3/18/98	0.xxx	±0.10	
Product family				Spec ref	
UNIV. SERIAL BUS S.M.		87583		Rev. AB	
RECEPTACLE		CUSTOMER		sheet 3 of 3	
catalog no					



Copyright FCJ.

REV F - 2004-04-07