

NIS033U SQUARE lenses for Nichia i-LED


- Specially designed for Nichia NCCU033A series of UV LEDs, with special care taken to make a uniform, smooth beam
- Special polymer used as the lens material, to guarantee a high transmission and a long-term stability in spite of high UV exposure @365 nm from the i-LED
- Best available optical efficiency, up to 90%
- Integrated holder. Fastening to heat sink with a PU foam adhesive tape of automotive grade
- Compact dimensions 21.6 x 21.6 mm. Square form enables easy build of matrix without any gaps between lenses.

LENS TYPES

NAME	ORDERING CODE	FWHM Angle
NIS033U REAL SPOT	FA10857_NIS033U-RS	±N/A°
NIS033U SMOOTH SPOT	FA10911_NIS033U-SS	±5°
NIS033U MEDIUM	FA10912_NIS033U-M	±15°
NIS033U WIDE	FA10913_NIS033U-W	±30°

© Ledil Oy – PRELIMINARY - Subject to change without prior notice

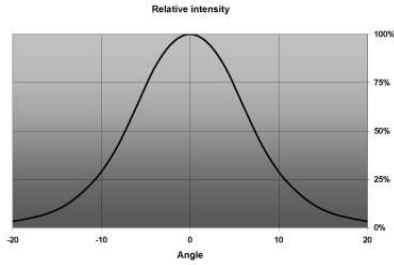
Ledil Oy
 Tehdaskatu 13
 FIN-24100 SALO, Finland

www.ledil.com
 email: ledil@ledil.com
 FAX: +358-2-733 8001

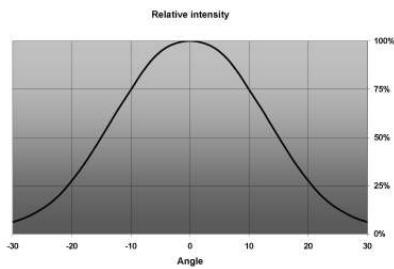
2009-04-01

MEASUREMENTS

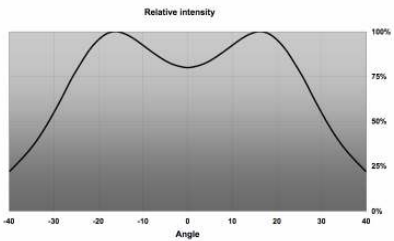
NIS033U-SS



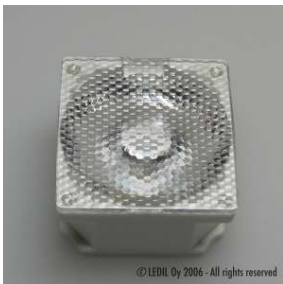
NIS033U-M



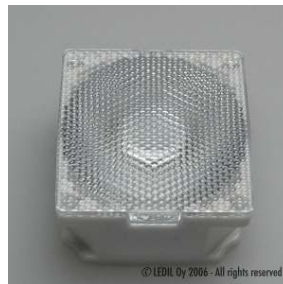
NIS033U-W



PHOTOS



NIS033U-SS



NIS083-M



NIS083-W

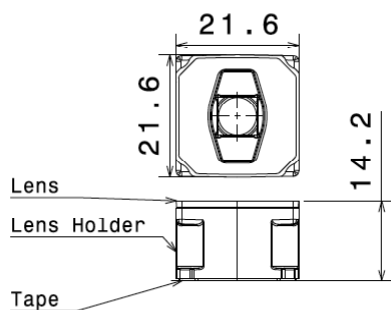
© Ledil Oy – PRELIMINARY - Subject to change without prior notice

Ledil Oy
Tehdaskatu 13
FIN-24100 SALO, Finland

www.ledil.com
email: ledil@ledil.com
FAX: +358-2-733 8001

2009-04-01

DIMENSIONS



PACKAGING



NIS033U lenses are delivered on adhesive tape liner sheets, each sheet containing 60 lenses.

© Ledil Oy – PRELIMINARY - Subject to change without prior notice

Ledil Oy
Tehdaskatu 13
FIN-24100 SALO, Finland

www.ledil.com
email: ledil@ledil.com
FAX: +358-2-733 8001

2009-04-01