

Iris-XP lens for Cree XP-E/G LEDs



APPLICATIONS:
TORCH LIGHTS
DOWNLIGHTS
SPOTLIGHTS

- Specially designed for Cree XP-E LED
- Lens material optical grade PMMA with high UV and temperature resistance (105°C/220°F).
- Holder material PC. Allows use of high current and temperature conditions.
- Very high optical efficiency 92%
- ~85 cd/lm peak intensity with Cree XP-E
- Tape version comes with double sided adhesive tape
- Screw version can be screwed from the bottom of the PCB
- Positioning pins to ensure right positioning.
- Medium and Oval sub lenses available

LENS TYPES

NAME	ORDERING CODE	FWHM Angle
Iris-XP-E Screw version	CA11358_Iris-XP-E-screw	±2°
Iris-XP-G Screw version	CA11358_Iris-XP-G-screw	±3°
Iris-XP-E Tape version	CA11362_Iris-XP-E-tape	±2°
Iris-XP-G Tape version	CA11362_Iris-XP-G-tape	±3°

NOTE: DELIVERED UNASSEMBLED

© Ledil Oy – PRELIMINARY - Subject to change without prior notice

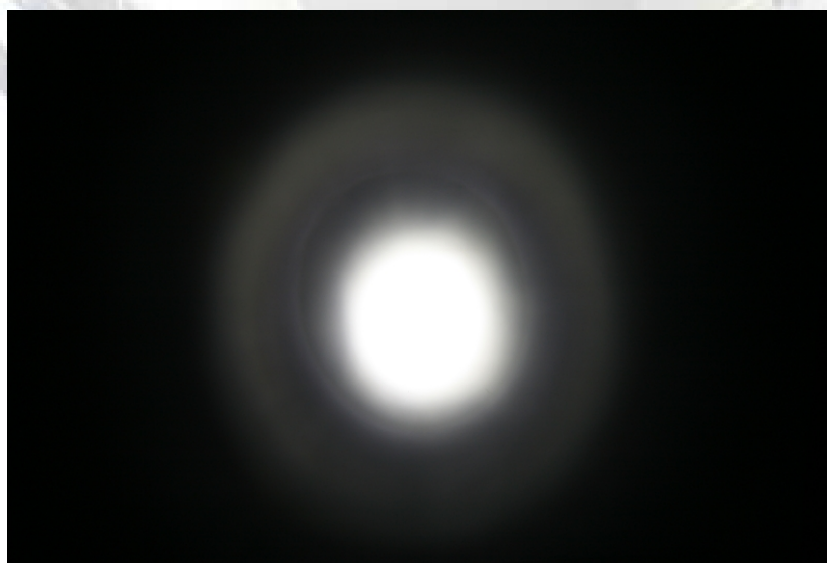
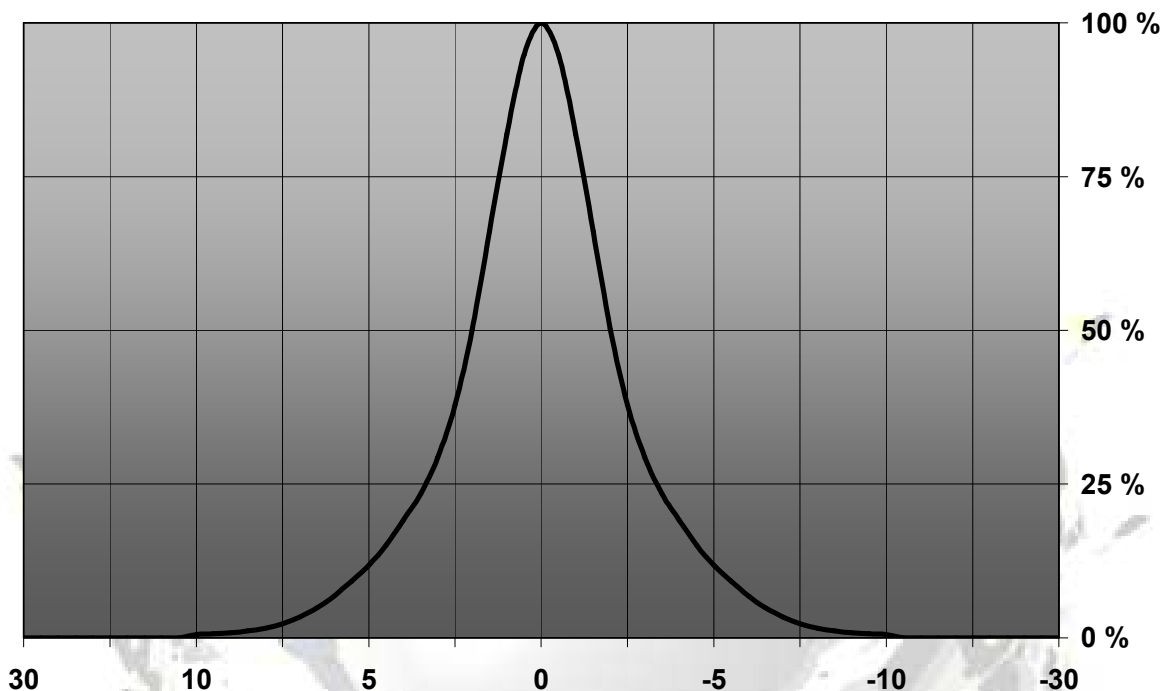
Ledil Oy
 Tehdaskatu 13
 FIN-24100 SALO, Finland

www.ledil.com
 email: ledil@ledil.com
 FAX: +358-2-733 8001

2010-06-16

MEASUREMENTS

Relative Intensity of CA11358_Iris-XP-E-screw



EULUMDAT & IES FILES AVAILABLE BY REQUEST

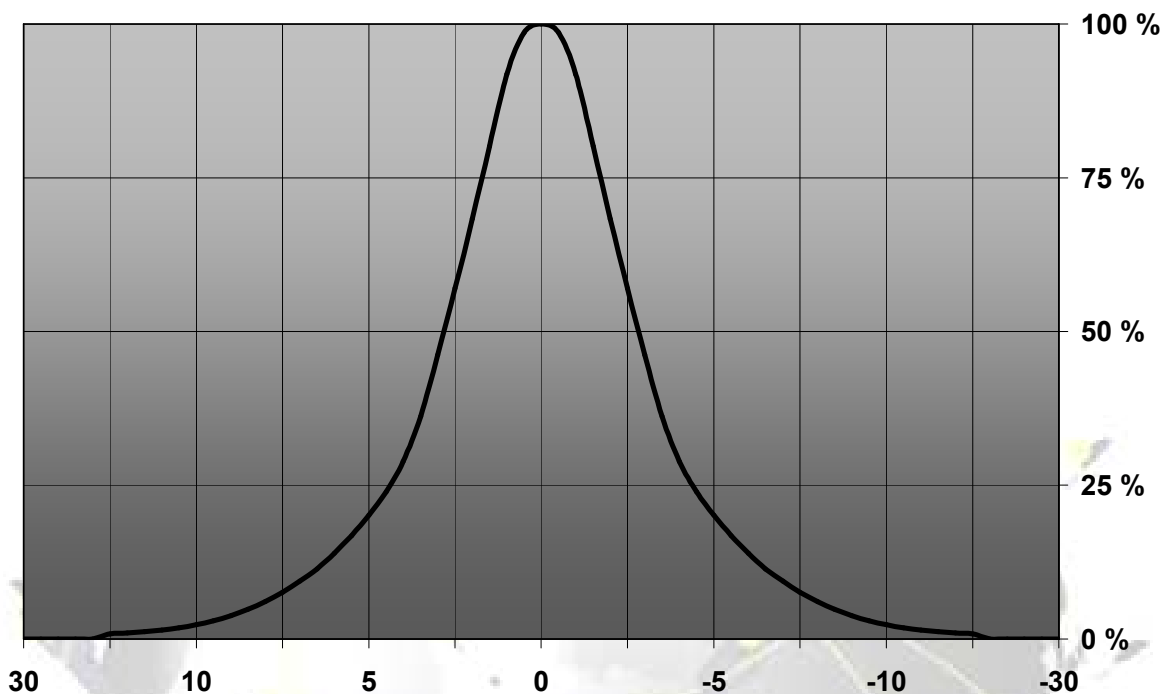
© Ledil Oy – PRELIMINARY - Subject to change without prior notice

Ledil Oy
 Tehdaskatu 13
 FIN-24100 SALO, Finland

www.ledil.com
 email: ledil@ledil.com
 FAX: +358-2-733 8001

2010-06-16

Relative Intensity of CA11358_Iris-XP-G-screw



EULUMDAT & IES FILES AVAILABLE BY REQUEST

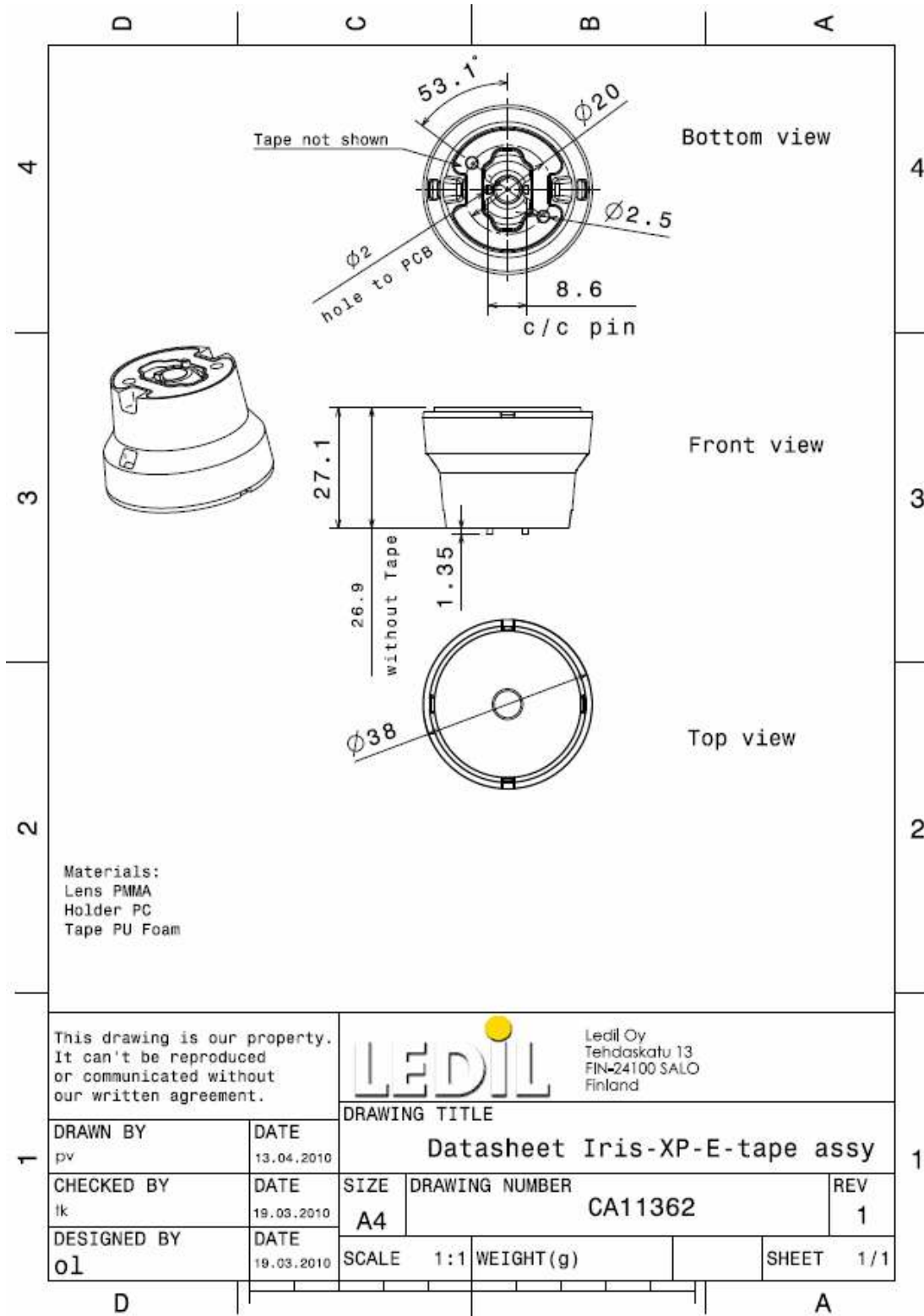
© Ledil Oy – PRELIMINARY - Subject to change without prior notice

Ledil Oy
 Tehdaskatu 13
 FIN-24100 SALO, Finland

www.ledil.com
 email: ledil@ledil.com
 FAX: +358-2-733 8001

2010-06-16

DRAWINGS



© Ledil Oy - PRELIMINARY - Subject to change without prior notice

Ledil Oy
 Tehdaskatu 13
 FIN-24100 SALO, Finland

www.ledil.com
 email: ledil@ledil.com
 FAX: +358-2-733 8001

2010-06-16