

## Iris lens for Osram Ostar Lighting LEDs



**APPLICATIONS: TORCH LIGHTS,  
DOWNLIGHTS, SPOTLIGHTS**



- Specially designed for the new Osram Ostar lighting with Star PCB
- Lens material optical grade PMMA with high UV and temperature resistance (105°C/220°F).
- Holder material PC. Allows use of high current and temperature conditions
- Highest practically available optical efficiency on the market
- Very even color distribution over the whole beam angle.
- Fastening to PCB and heat sink with screws or with appropriate adhesive, e.g. Loctite 460 or other epoxy or polyurethane. NOTE: DO NOT USE SUPERGLUE. If you decide to use glue only, please take special care of correct positioning.

**LENS TYPES**

NAME	ORDERING CODE	FWHM Angle
Iris lens	CA10861_Iris	±5.5°
Iris lens + Medium Sub lens	CA10953_Iris-M	±14.8°
Iris lens + Oval Sub lens	CA11470_Iris-O	±15° x ±20°

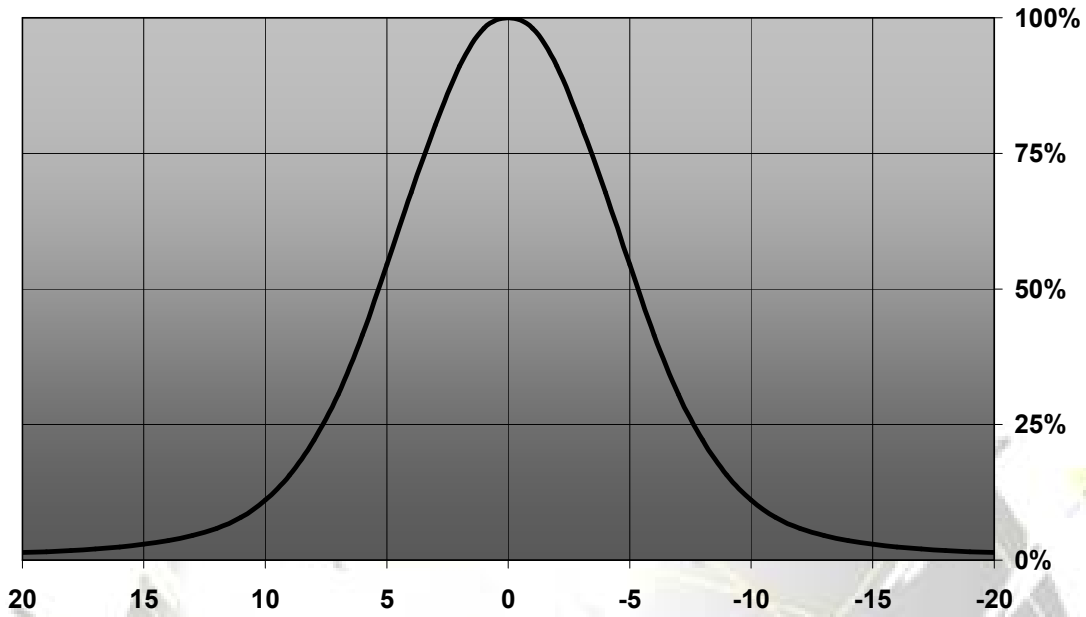
© Ledil Oy – PRELIMINARY - Subject to change without prior notice

Ledil Oy  
Tehdaskatu 13  
FIN-24100 SALO, Finland

[www.ledil.com](http://www.ledil.com)  
email: [ledil@ledil.com](mailto:ledil@ledil.com)  
FAX: +358-2-733 8001

2010-04-09

Relative Intensity of CA10861\_Iris



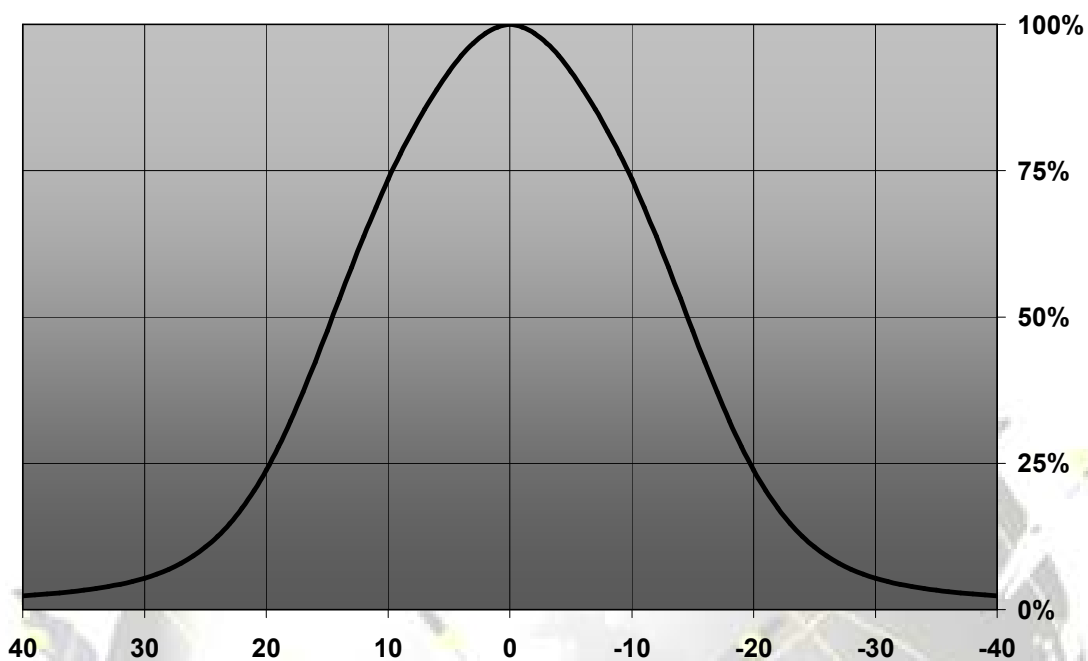
© Ledil Oy – PRELIMINARY - Subject to change without prior notice

Ledil Oy  
Tehdaskatu 13  
FIN-24100 SALO, Finland

[www.ledil.com](http://www.ledil.com)  
email: [ledil@ledil.com](mailto:ledil@ledil.com)  
FAX: +358-2-733 8001

2010-04-09

Relative Intensity of CA10908\_Iris-M



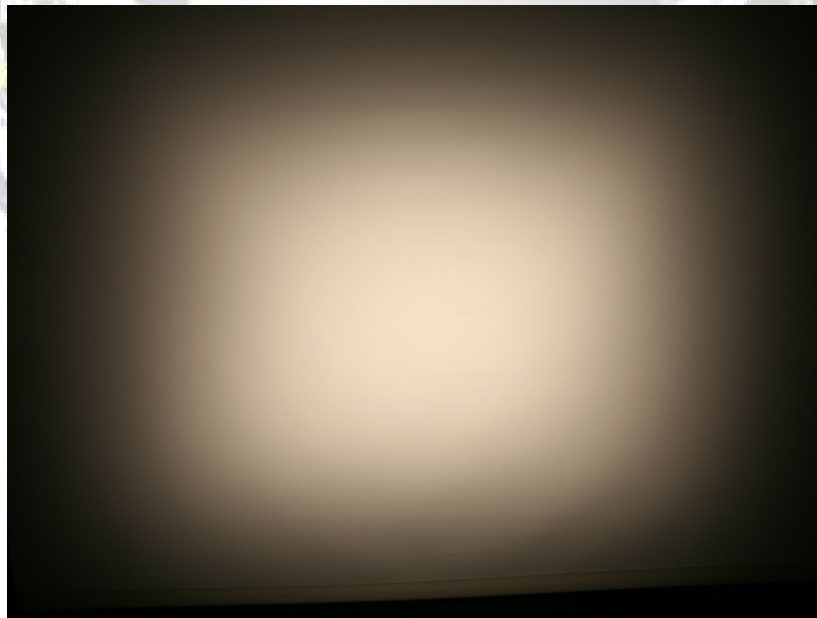
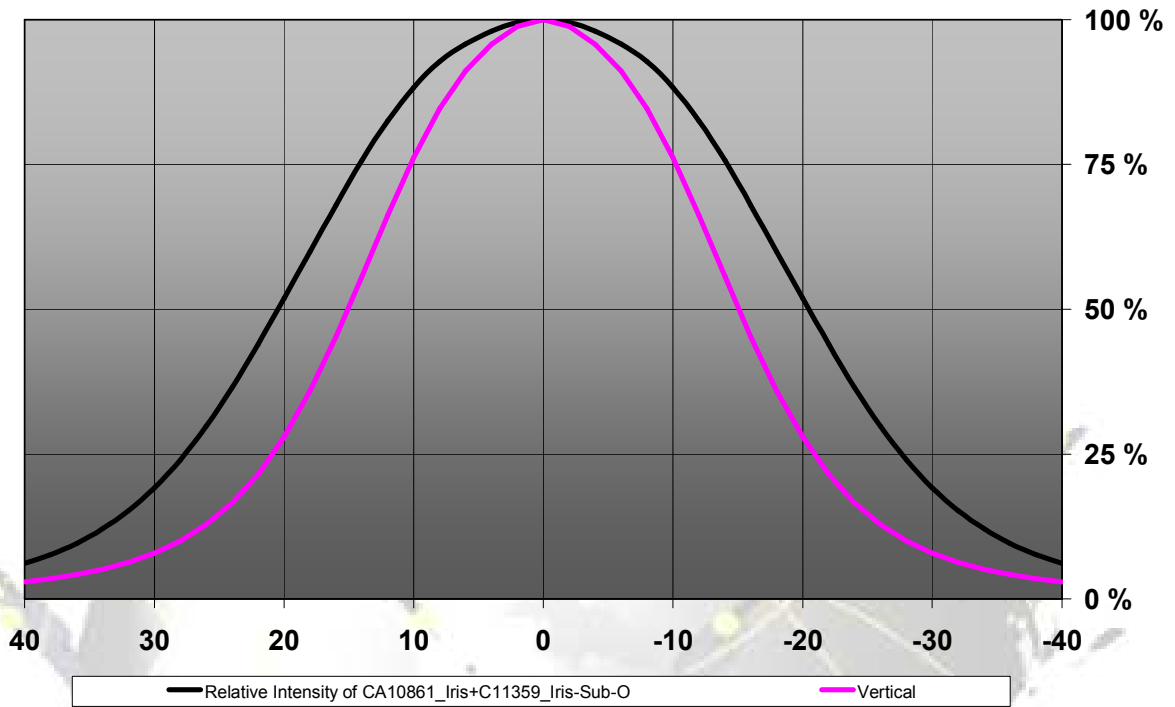
© Ledil Oy – PRELIMINARY - Subject to change without prior notice

Ledil Oy  
 Tehdaskatu 13  
 FIN-24100 SALO, Finland

[www.ledil.com](http://www.ledil.com)  
 email: [ledil@ledil.com](mailto:ledil@ledil.com)  
 FAX: +358-2-733 8001

2010-04-09

Relative Intensity of CA11470\_Iris-O

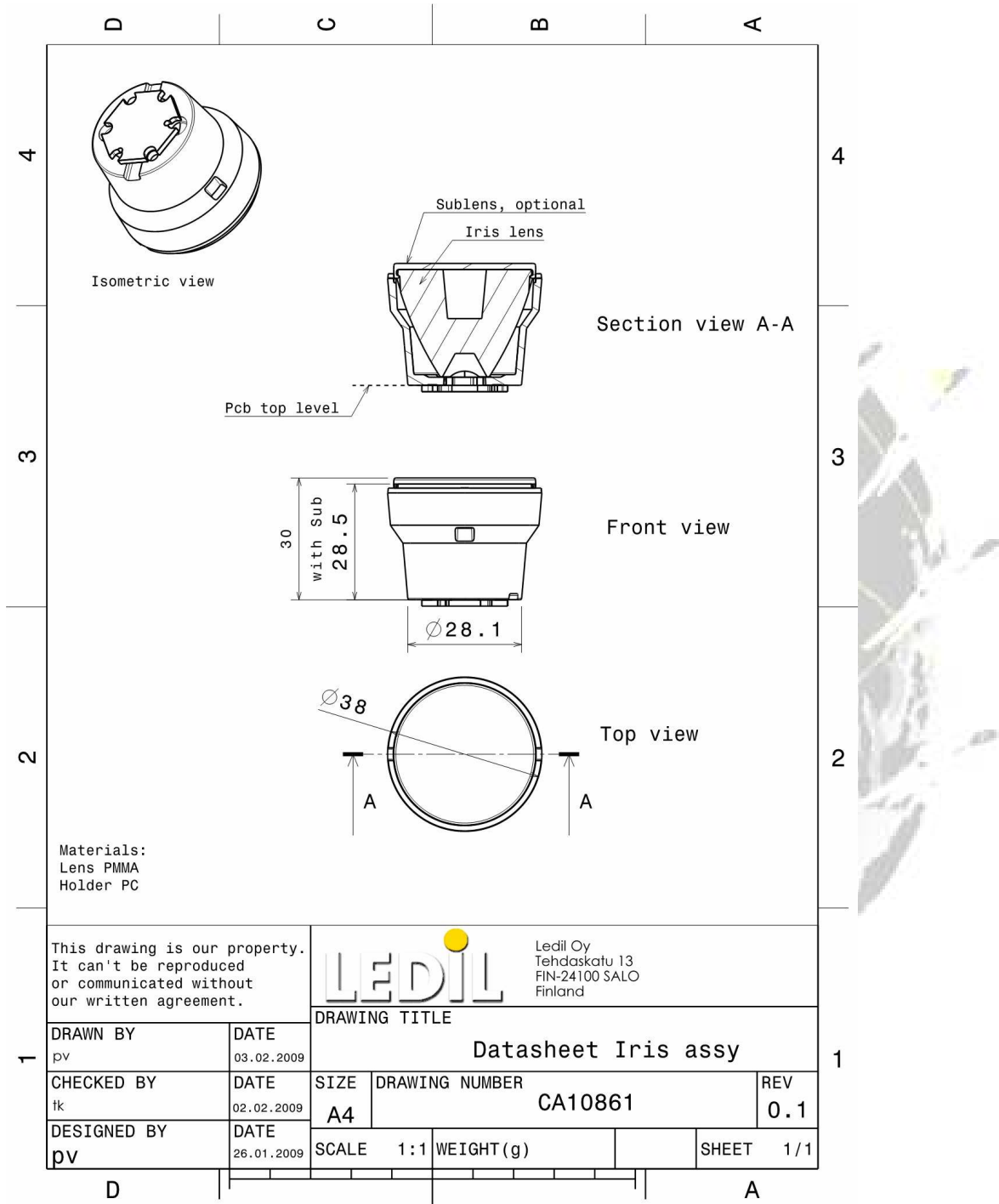


© Ledil Oy – PRELIMINARY - Subject to change without prior notice

Ledil Oy  
 Tehdaskatu 13  
 FIN-24100 SALO, Finland

[www.ledil.com](http://www.ledil.com)  
 email: [ledil@ledil.com](mailto:ledil@ledil.com)  
 FAX: +358-2-733 8001

2010-04-09



This drawing is our property.  
It can't be reproduced  
or communicated without  
our written agreement.

Ledil Oy  
Tehdaskatu 13  
FIN-24100 SALO  
Finland

DRAWN BY pv		DATE 03.02.2009	DRAWING TITLE Datasheet Iris assy		
CHECKED BY fk	DATE 02.02.2009	SIZE A4	DRAWING NUMBER CA10861	REV 0.1	
DESIGNED BY pv	DATE 26.01.2009	SCALE 1:1	WEIGHT (g)	SHEET 1/1	

**NOTE: DELIVERED UNASSEMBLED**

© Ledil Oy – PRELIMINARY - Subject to change without prior notice

Ledil Oy  
Tehdaskatu 13  
FIN-24100 SALO, Finland

[www.ledil.com](http://www.ledil.com)  
email: [ledil@ledil.com](mailto:ledil@ledil.com)  
FAX: +358-2-733 8001

2010-04-09