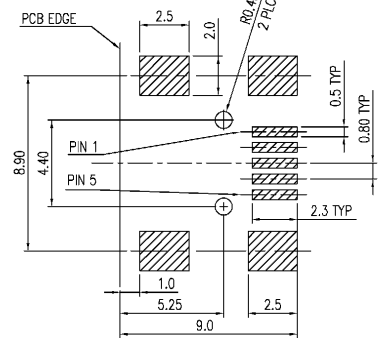
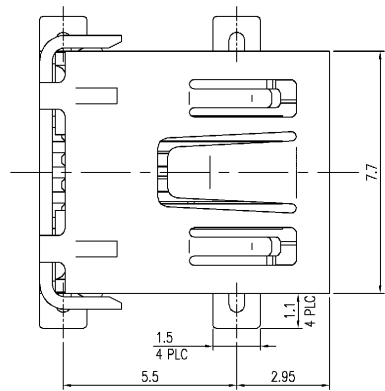
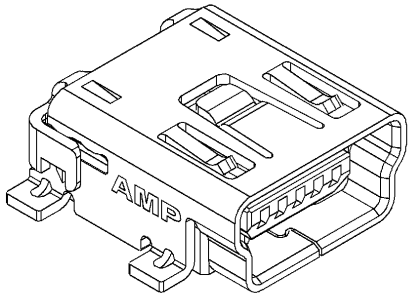
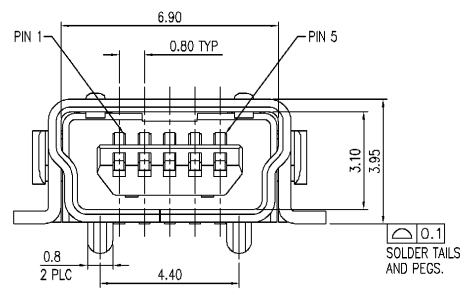
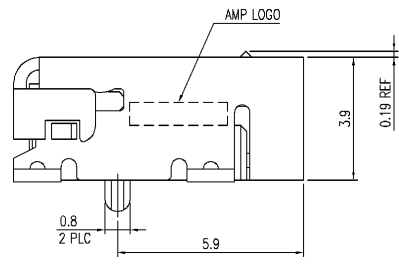
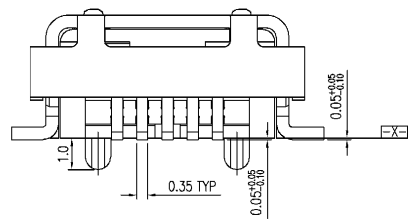


NUMBER C-440247
METRIC
3RD ANGLE PROJECTION



RECOMMENDED PCB LAYOUT (MOUNTING SIDE)
THICKNESS 1.57mm



NOTE:
1. MATERIAL:
HOUSING: HIGH TEMPERATURE THERMOPLASTIC UL 94V-0, COLOR: BLACK.
CONTACT: PHOSPHOR BRONZE.
SHELL: PHOSPHOR BRONZE.
2. FINISH:
CONTACT: 30u" MIN. GOLD PLATED IN CONTACT AREA, 100u" MIN. TIN-LEAD
TIN ON SOLDER TAILS, 50u" MIN. NICKEL UNDERPLATED ALL OVER.
SHELL: 100u" MIN. HALF-BRIGHT TIN OVER 100u" MIN. CU UNDERPLATED.

W/	W/O	TAPE REEL	W/	440247-4
W/O	W/	TAPE REEL	W/	440247-3
W/O	W/O	TAPE REEL	W/	440247-2
W/O	N/A	TRAY	W/	440247-1
MYLAR	LONG CARRIER & COVER TAPE	PACKAGE	POST	PART NUMBER

DIMENSION :		DWN	O. HU	tyco	TYCO HOLDINGS (BERMUDA)
0 PLC ±0.38		CHK	27-JUN-2003	Electronics	VII LTD. TAIWAN BRANCH
1 PLC ±0.25		APVD		NAME	
2 PLC ±0.13		J. CHENG		MINI USB RIGHT ANGLE,	
3 PLC ±0.05		27-JUN-2003		SMT, B TYPE	
ANGLES ±3		PRODUCT SPEC		LOC	
MATERIAL		108-57062		SIZE	
SEE NOTE		APPLICATION SPEC		DRAWING NO	
FINISH		WEIGHT		C-440247	
SEE NOTE		SCALE		REV	
D		ADD P/N FOR PACKAGE		D	
FZ00-0149-03		CH		A3	
04JUL 2003		DWN		SCALE	
LTR		REVISION RECORD		SHEET	
ECN		DWN		1 OF 4	
CHK		DATE			

PRINT DW
THIS INFORMATION IS CONFIDENTIAL AND IS DISCLOSED TO YOU ON CONDITION THAT NO PARTS OR DIMENSIONS BE MADE BY YOU TO OTHER THAN AMP PERSONNEL WITHOUT DIMENSION IN MILLIMETERS. DO NOT SCALE PRINT.

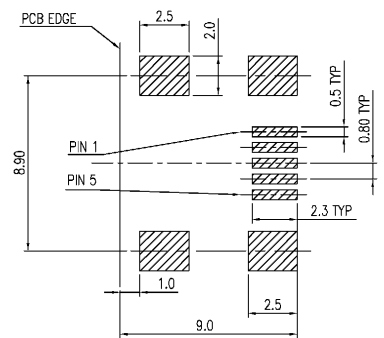
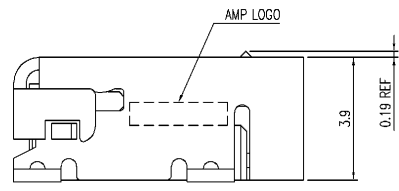
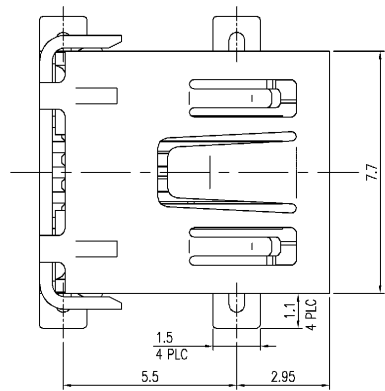
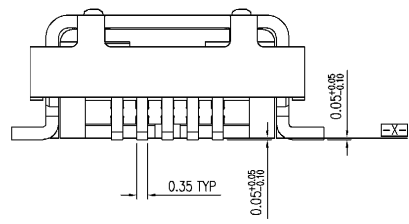
8 | 7 | 6 | 5 | 4 | 3 | 2 | 1
CUSTOMER DRAWING

NUMBER C-440247

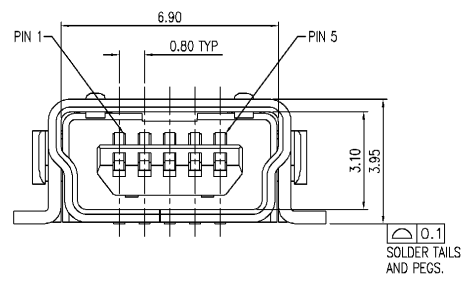


METRIC

PRINT DIST DW THIS INFORMATION IS CONFIDENTIAL AND IS DISCLOSED TO YOU ON CONDITION THAT NO FURTHER DISCLOSURE IS MADE BY YOU TO OTHER THAN AMP PERSONNEL WITHOUT THE WRITTEN PERMISSION OF AMP. DIMENSION IN MILLIMETERS. DO NOT SCALE PRINT.



RECOMMENDED PCB LAYOUT (MOUNTING SIDE)
THICKNESS 1.57mm



W/O	W/	TAPE REEL	W/O	1-440247-3
	W/O	TAPE REEL	W/O	1-440247-2
	N/A	TRAY	W/O	1-440247-1
MYLAR	LONG CARRIER & COVER TAPE	PACKAGE	POST	PART NUMBER

DIMENSION :	DWN	O. HU		TYCO HOLDINGS (BERMUDA) VII LTD. TAIWAN BRANCH
	0 PLC ±0.38	27-JUN-2003		
1 PLC ±0.25	CHK	A. WU	NAME	
2 PLC ±0.13		27-JUN-2003	MINI USB RIGHT ANGLE, SMT, B TYPE	
3 PLC ±0.05	MATERIAL	APVD	J. CHENG	
ANGLES ±3	SEE SHEET 1.	PRODUCT SPEC	108-57062	
	FINISH	APPLICATION SPEC	LOC	SIZE
	SEE SHEET 1.	WEIGHT	DW	DRAWING NO
			SCALE	C-440247
				REV
				D
				SHEET
				2 OF 4

SEE SHEET 1.	ECN	DWN	CHK	DATE
LTR	REVISION RECORD			

CUSTOMER DRAWING

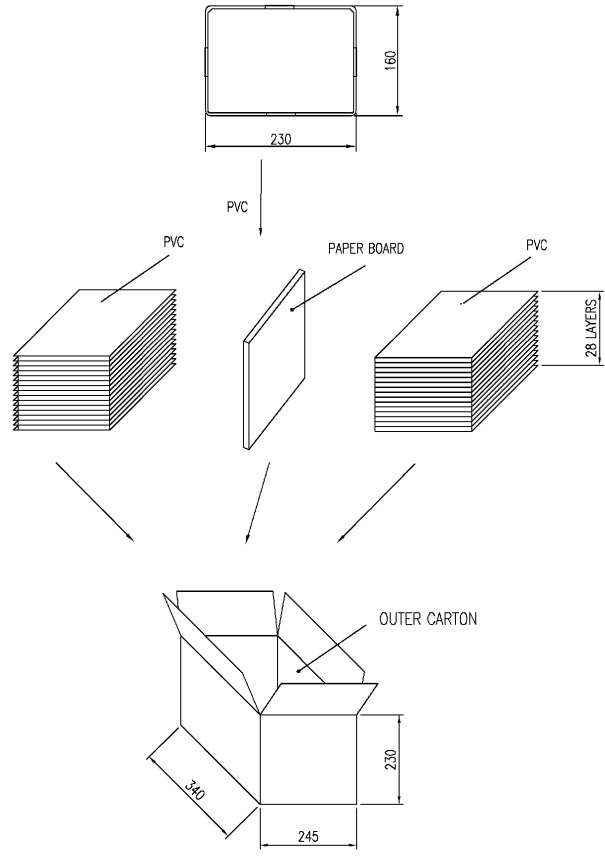
8 7 6 5 4 3 2 1

NUMBER C-440247



METRIC

PRINT DIST DW THIS INFORMATION IS CONFIDENTIAL AND IS DISCLOSED TO YOU ON CONDITION THAT NO FURTHER DISCLOSURE IS MADE BY YOU TO OTHER THAN AMP PERSONNEL WITHOUT PERMISSION FROM AMP PERSONNEL. DO NOT SCALE PRINT.



9.2	6.7	8400 (56 TRAY)	150	1-440247-1 440247-1
G.W(KGS)	N.W(KGS)	PACKAGING QTY' / CARTON	PCS/TRAY	PART NUMBER
DIMENSION :		DWN	O. HU	 TYCO HOLDINGS (BERMUDA) VII LTD. TAIWAN BRANCH
0 PLC	1 PLC	27-JUN-2003	27-JUN-2003	
2 PLC	3 PLC	27-JUN-2003	27-JUN-2003	NAME
ANGLES				MINI USB RIGHT ANGLE, SMT, B TYPE
MATERIAL		APVD	J. CHENG	LOC SIZE DRAWING NO DW A3 C-440247 SCALE SHEET
		PRODUCT SPEC	27-JUN-2003	
FINISH		APPLICATION SPEC		REV D
		WEIGHT		3 OF 4

SEE SHEET 1.				
LTR	REVISION RECORD	ECN	DWN_CHK	DATE

D
C
B
A

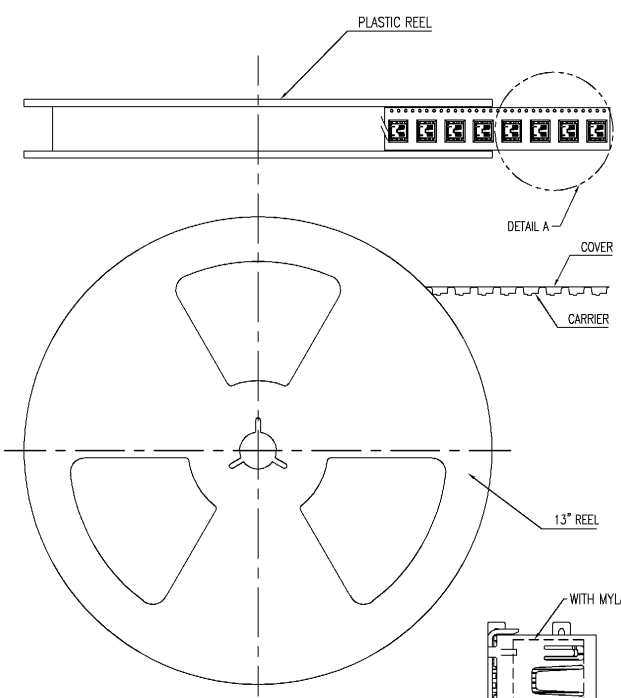
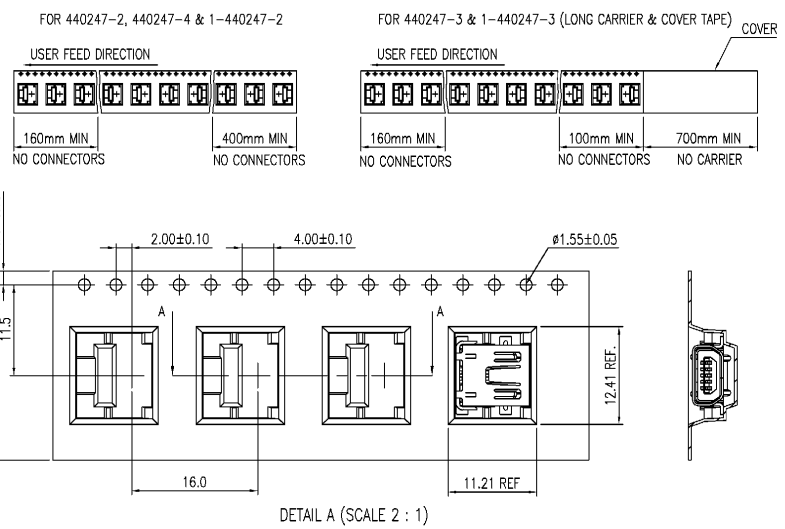
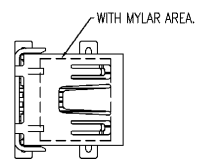


FIGURE E



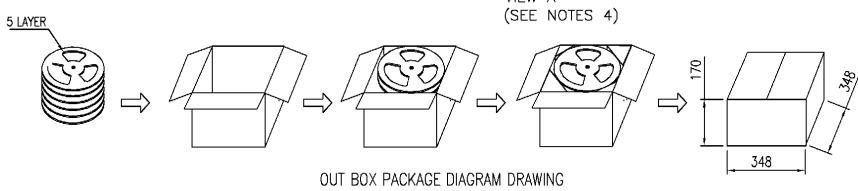
DETAIL A (SCALE 2 : 1)



VIEW A (SEE NOTES 4)

- NOTES:
1. APPLICABLE DOCUMENT : EIA-481-2
 2. PACKAGE: 700 PCS/REEL , 5 REEL/BOX
W.G. : 6.5Kg , N.G. : 5.5Kg
 3. QUANTITY: 3500 PCS.
 4. VIEW SHOW THE MYLAR AREA FOR P/N 440247-4

W/O	W/	1-440247-3
W/O	W/O	1-440247-2
W/	W/O	440247-4
W/O	W/	440247-3
W/O	W/O	440247-2
MYLAR	LONG CARRIER & COVER TAPE	PART NUMBER



OUT BOX PACKAGE DIAGRAM DRAWING

DIMENSION :	DWN	O. HU	TYCO Electronics	TYCO HOLDINGS (BERMUDA) VII LTD. TAIWAN BRANCH
0 PLC	CHK	27-JUN-2003	NAME	
1 PLC			A. WU	
2 PLC			27-JUN-2003	
3 PLC			J. CHENG	
ANGLES			27-JUN-2003	
MATERIAL	APVD		PRODUCT SPEC	MINI USB RIGHT ANGLE, SMT, B TYPE
FINISH	APPLICATION SPEC		LOC	SIZE
			DW	A3
WEIGHT			SCALE	DRAWING NO
				C-440247
				REV
				D
				SHEET
				4 OF 4

SEE SHEET 1.				
LTR	REVISION RECORD	ECN	DWN_CHK	DATE