

## ■ XLR Features

- Rugged design to withstand extreme field use.
- Resilient socket insulator which maximizes performance in humid conditions and minimizes vibration and electrical noise.
- Highly reliable machined contacts
- Quick disconnect latch lock
- Low reflectivity satin finish
- Interchangeable & intermateable with XLB2, XLA, XLG, XLB-PC, XLM

## ■ Applications

- Microphones
- Test Instruments
- Mixers
- D/C Converters
- Amplifiers
- TV Cameras
- Speakers
- VCRs
- Medical Instruments
- Tuners
- Equalizers

## ■ Standard Data

### ● Specifications(Detail p4)

Rated Current	5A-15A
Service Voltage	133VAC
Dielectric Withstanding Voltage	1400VAC
Insulation Resistance	5000MΩmin.at 500VDC
Contact Resistance	2A, 3, 4 : 5mΩMAX 5, 6, 6A, 7 : 10mΩMAX

### ● Materials(Finishes)

Contacts	Copper Alloy(Silver) (Gold contacts available)
Insulator Socket	Chloroprene
Pin	Nylon
Shell	Aluminum Alloy (Satin Nickel)
Barrel	Steel
Bushing	Chloroprene

## ■ How To Order

**XLR-3-11C-\*\*-\***

### ● Series Prefix

### ● Contact Arrangements

2A, 3, 4, 5, 6, 6A, 7 (SEE PAGE 4)

### ● Shell Styles

11C — Female Plug  
12C — Male Plug  
13 — Female Round Flange Receptacle  
14 — Male Round Flange Receptacle  
31 — Female Flange Receptacle  
32 — Male Flange Receptacle

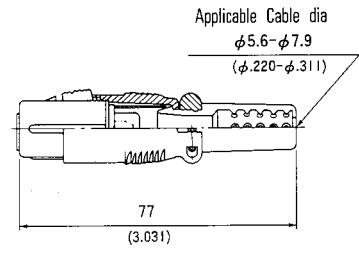
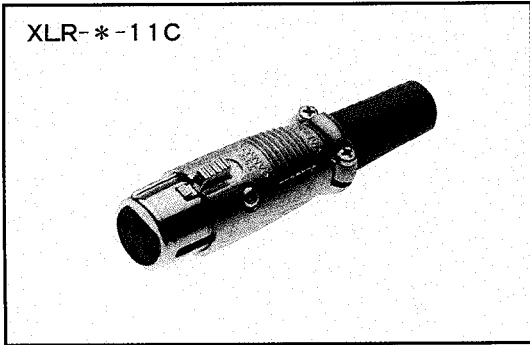
### ● Modifications

F77 — Rectangular Small Flange (Receptacle 31 and 32)  
F512 — Rectangular Mini-Flange (Receptacle 32 only)  
A176 — Gold Plated Contacts

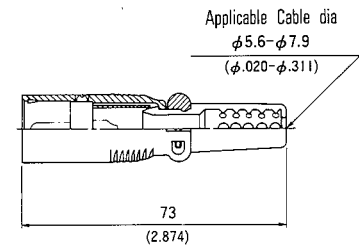
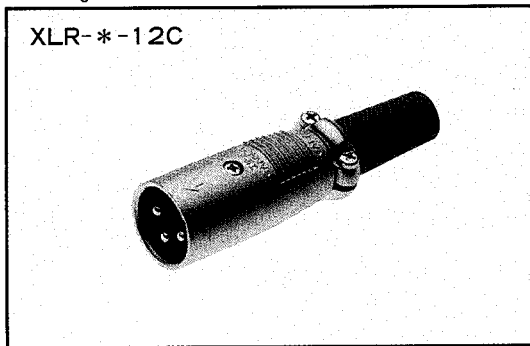
\* **Black shell available. Contact Factory**

## Plugs

### Female Plug

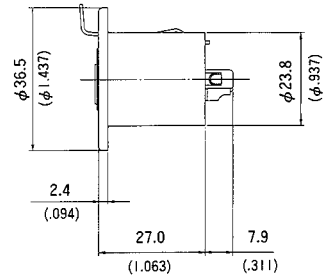
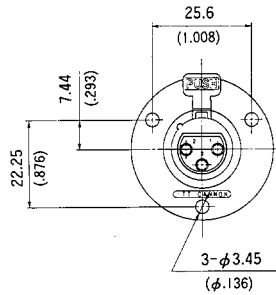
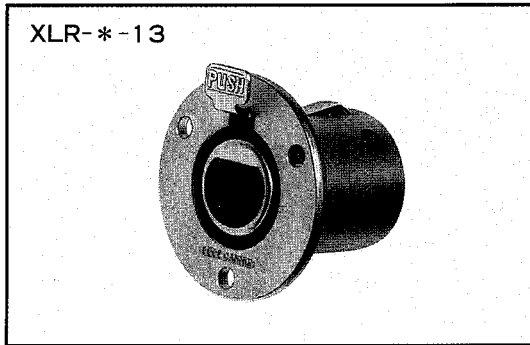


### Male Plug

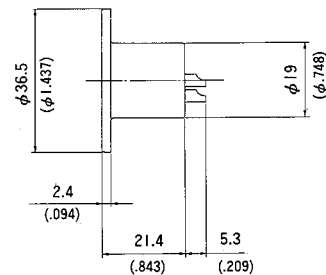
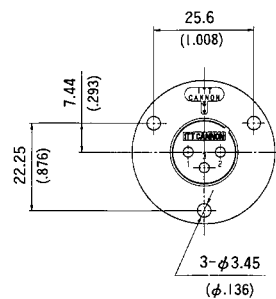
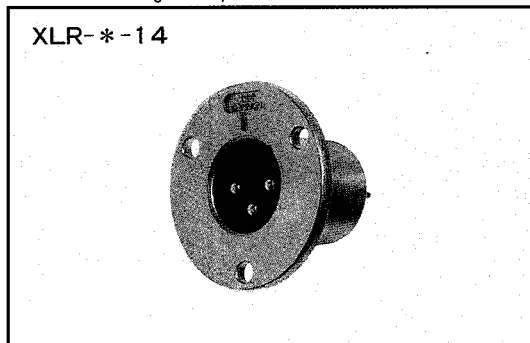


## Receptacles

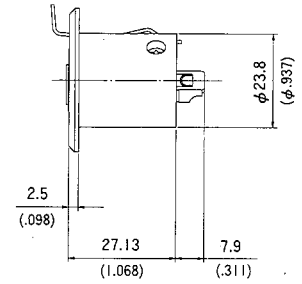
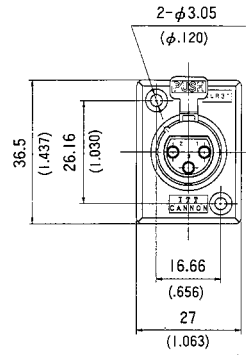
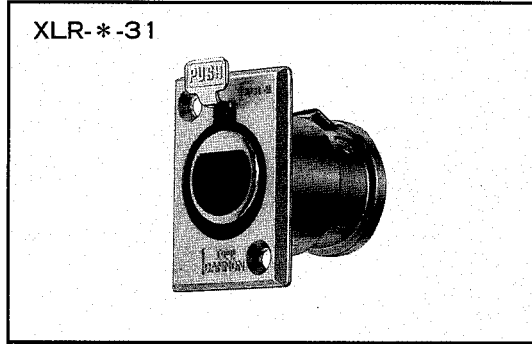
### Female Round Flange Receptacles



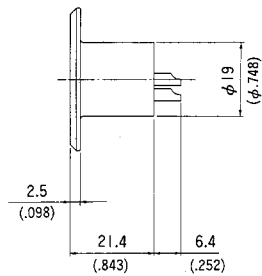
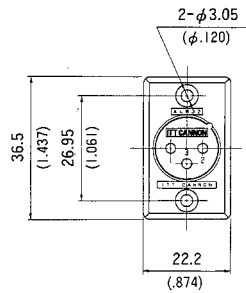
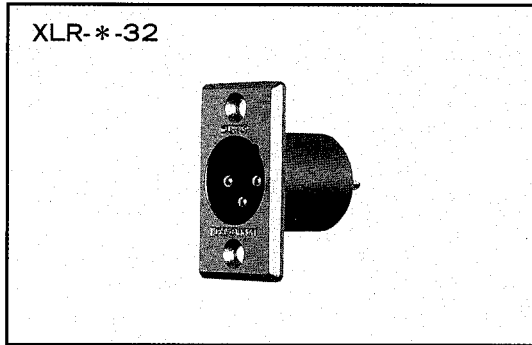
### Male Round Flange Receptacles



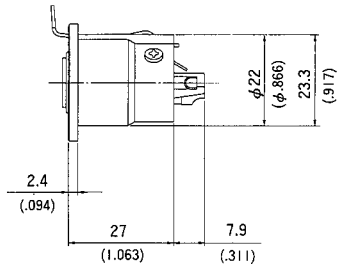
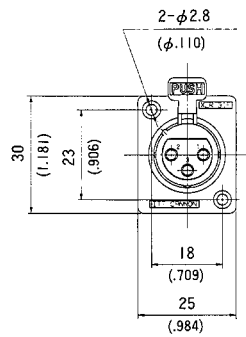
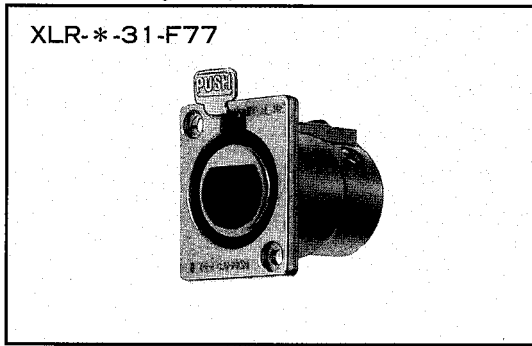
## Female Flange Receptacle



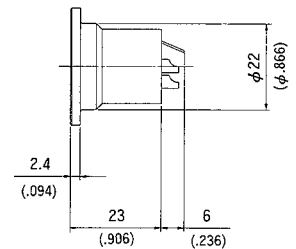
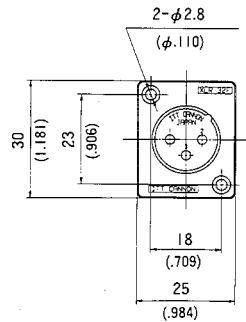
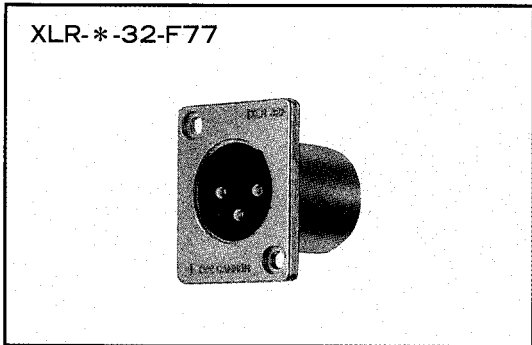
## Male Flange Receptacle



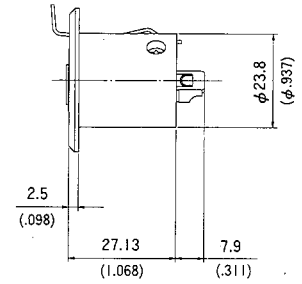
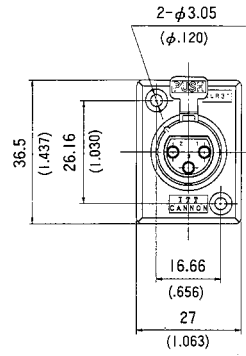
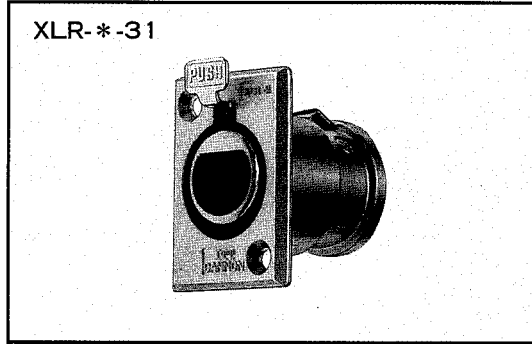
## Small Female Flange Receptacle



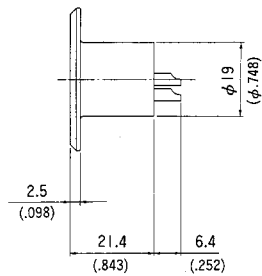
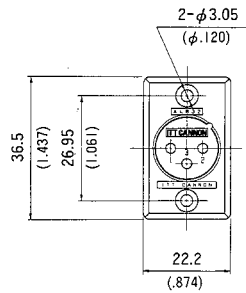
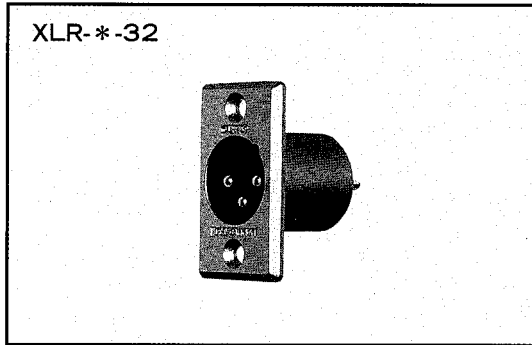
## Small Male Flange Receptacle



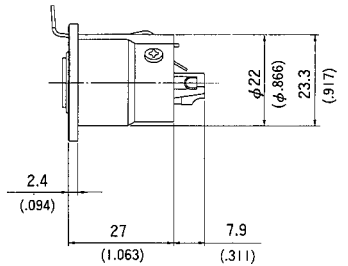
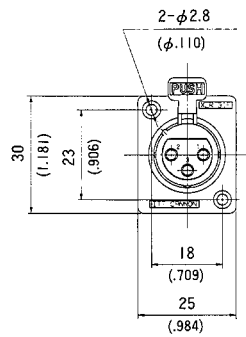
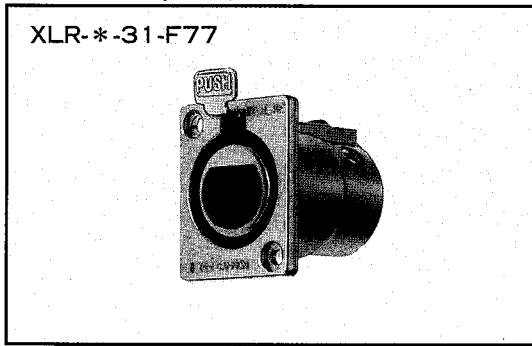
## Female Flange Receptacle



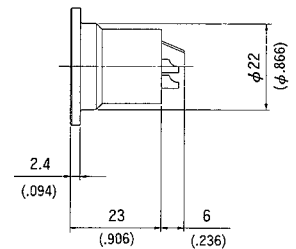
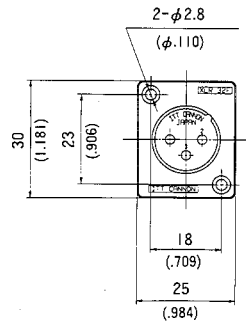
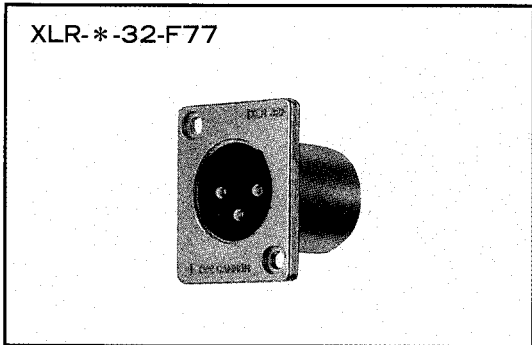
## Male Flange Receptacle



## Small Female Flange Receptacle

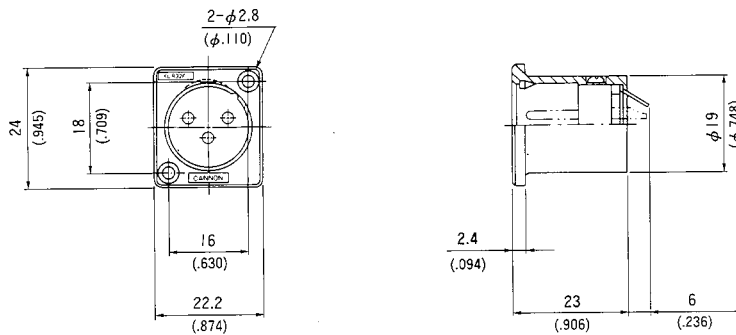
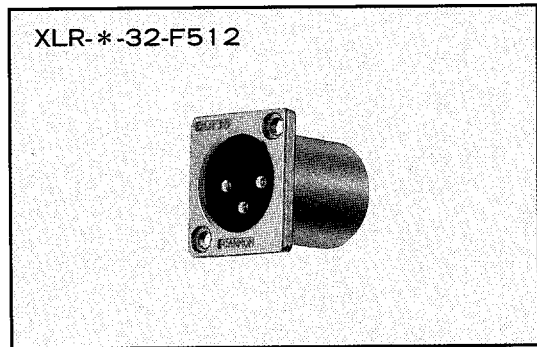


## Small Male Flange Receptacle



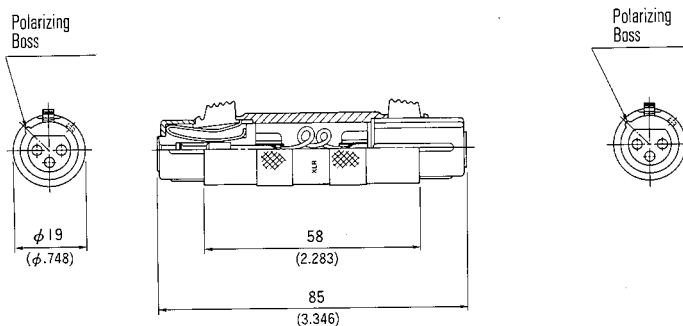
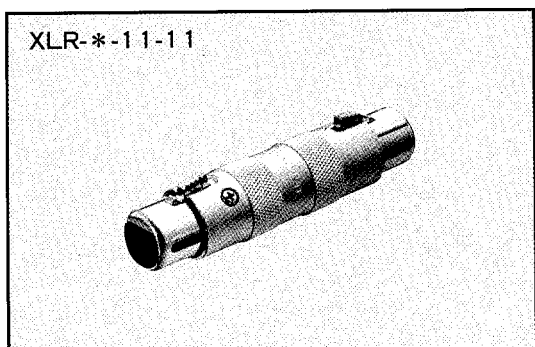
# XLR

## Male Mini Flange Receptacle

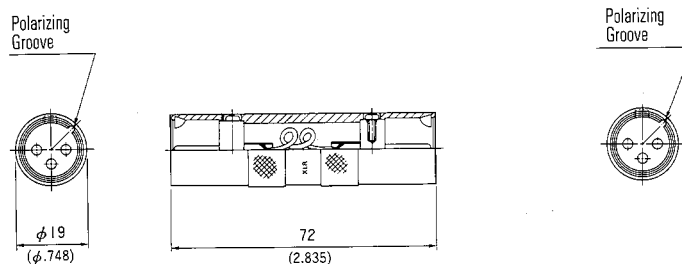
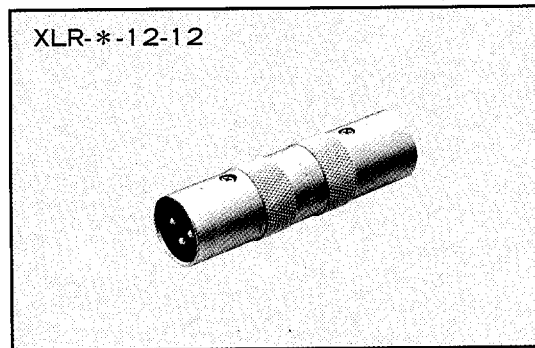


## Bulkhead-Adapters

### Female-Female Bulkhead



### Male-Male Bulkhead



## Dust Caps

	Plastic	Metallic	For use with (Shell styles)
<b>Female Cap</b>	<p>XLR-SDC</p>	<p>XLR-13RC</p>	11, 11B, 11C, 13, 31, 31B, 41, 41B, 31-F77
<b>Male Cap</b>	<p>XLR-PDC</p>	<p>XLR-14PC</p>	12, 12B, 12C, 14, 32, 32B, 42, 42B, 32-F77, 32-F512

# General Performance Characteristics

Number of Contacts	2	3	4	5	6	6	7
Contact Arrangement Designator	2A	3	4	5	6	6A	7
Contact Arrangement Configuration							
Rated Current	15A	※10A	10A	7.5A	7.5A	7.5A	5A
Service Voltage(AC)	200V	133V	133V	133V	133V	133V	133V
Dielectric Withstanding Voltage(AC)	1600V	1400V	1400V	1400V	1400V	1400V	1400V
Insulation Resistance	5,000MΩ min. at 500VDC						
Contact Resistance	See specifications in each series						
Operating Temperature	-35°C ~ +85°C (XLR/XLG; -55°C ~ +125°C)						
Wire Accommodation Reference AWG	#14	#14	#16	#18	#18	#18	#20
Wire Cross Section (max.)	2.0mm <sup>2</sup>	2.0mm <sup>2</sup>	1.4mm <sup>2</sup>	0.9mm <sup>2</sup>	0.9mm <sup>2</sup>	0.9mm <sup>2</sup>	0.5mm <sup>2</sup>
Stranded Wire O.D. (max.)	2.1mm	2.1mm	1.6mm	1.4mm	1.4mm	1.4mm	1.0mm

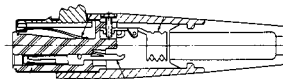
※ XLR/XLG : 15A  
XLM/XLB-PC : 3A

## Series Variations

Series/Shell	Styles	Contact Arrangement							
		2A	3	4	5	6	6A	7	
XLB2	11/11B	*	*	*	*	*	*	*	
	12/12B	*	*	*	*	*	*	*	
	31/31B	*	*	*	*	*	*	*	
	32/32B	*	*	*	*	*	*	*	
	41/41B	*	*	*	*	*	*	*	
	42/42B	*	*	*	*	*	*	*	
(Crimp)	11F		*						
	11C	*	*	*	*	*	*	*	
XLR	12C	*	*	*	*	*	*	*	
	13	*	*	*	*	*	*	*	
	14	*	*	*	*	*	*	*	
	31	*	*	*	*	*	*	*	
	32	*	*	*	*	*	*	*	
	31-F77	*	*	*	*	*	*	*	
	32-F77	*	*	*	*	*	*	*	
	32-F512	*	*	*	*	*	*	*	
	XLA	11		*	*				
		12		*					
XLG	11/11B		*						
	12/12B		*						
	31/31B		*						
	32/32B		*						
XLB	31/32-PCS		*						
	31/32-PCV		*						
	31/32-PCH-L		*						
	31/32-PCH-R		*						
XLM	31/32-PCS		*						
	31/32-PCV		*						
	31/32-PCH-L		*						
	31/32-PCH-R		*						

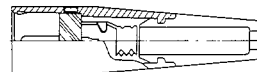
## Shell Styles

### ● Female Plug



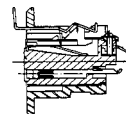
Type ; 11, 11B, 11C

### ● Male Plug



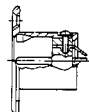
Type ; 12, 12B, 12C

### ● Female Flange Receptacle



Type ; 13  
31, 31B,  
41, 41B,  
31-F77

### ● Male Flange Receptacle



Type ; 14  
32, 32B,  
42, 42B,  
32-F77,  
32-F512