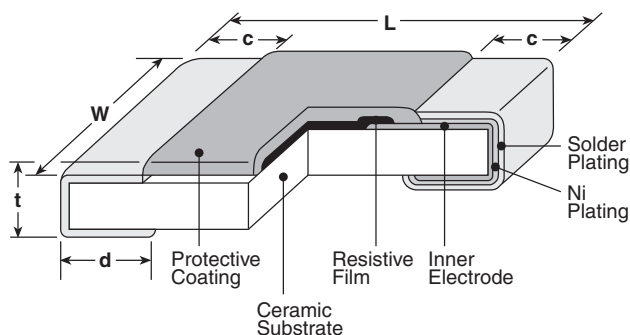


## features

- Silver element
- Meets or exceeds EIA 575, EIAJ RC 2690A, EIA PDP-100, MIL-R-55342F
- Marking: White "000" on black protective coat  
1F black with no marking  
1H and 1E sizes are green with no marking  
1J has white "0" marking
- Products with lead-free terminations meet EU RoHS requirements. Pb located in glass material, electrode and resistor element is exempt per Annex 1, exemption 5 of EU directive 2005/95/EC

## dimensions and construction



| Type<br>(Inch Size Code) | Dimensions inches (mm)  |                          |                          |   |                           |
|--------------------------|---|--------------------------|--------------------------|---|---------------------------|
|                          | L   | W                        | c                        | d   | t                         |
| <b>1F</b><br>(01005)     | .016±.0008<br>(0.4±0.02)  | .079±.0008<br>(0.2±0.02) | .004±.001<br>(0.10±0.03) | .004±.001<br>(0.11±0.03)  | .005±.0008<br>(0.13±0.02) |
| <b>1H</b><br>(0201)      | .024±.001<br>(0.6±0.03)   | .012±.001<br>(0.3±0.03)  | .004±.002<br>(0.1±0.05)  | .006±.002<br>(0.15±0.05)  | .009±.001<br>(0.23±0.03)  |
| <b>1E</b><br>(0402)      | .039 <sup>+0.04</sup> <sub>-.002</sub><br>(1.0 <sup>+0.1</sup> <sub>-0.05</sub> ) | .02±.002<br>(0.5±0.05)   | .008±.004<br>(0.2±0.1)   | .01 <sup>+0.02</sup> <sub>-.004</sub><br>(0.25 <sup>+0.05</sup> <sub>-0.1</sub> ) | .014±.002<br>(0.35±0.05)  |
| <b>1J</b><br>(0603)      | .063±.008<br>(1.6±0.2)  | .031±.004<br>(0.8±0.1)   | .012±.004<br>(0.3±0.1)   | .012±.004<br>(0.3±0.1)  | .018±.004<br>(0.45±0.1)   |
| <b>2A</b><br>(0805)      | .079±.008<br>(2.0±0.2)  | .049±.004<br>(1.25±0.1)  | .016±.008<br>(0.4±0.2)   | .012 <sup>+0.008</sup> <sub>-.004</sub><br>(0.3 <sup>+0.2</sup> <sub>-0.1</sub> ) | .02±.004<br>(0.5±0.1)     |
| <b>2B</b><br>(1206)      | .126±.008<br>(3.2±0.2)  | .063±.008<br>(1.6±0.2)   | .02±.012<br>(0.5±0.3)    | .016 <sup>+0.008</sup> <sub>-.004</sub><br>(0.4 <sup>+0.2</sup> <sub>-0.1</sub> ) | .024±.004<br>(0.6±0.1)    |
| <b>2E</b><br>(1210)      |   | .102±.008<br>(2.6±0.2)   |                          |   |                           |
| <b>2H</b><br>(2010)      | .197±.008<br>(5.0±0.2)  | .098±.008<br>(2.5±0.2)   |                          |   |                           |
| <b>W2H</b><br>(2010)     |   |                          |                          | .026±.006<br>(0.65±0.15)  |                           |
| <b>3A</b><br>(2512)      | .248±.008<br>(6.3±0.2)  | .122±.008<br>(3.1±0.2)   |                          | .016 <sup>+0.008</sup> <sub>-.004</sub><br>(0.4 <sup>+0.2</sup> <sub>-0.1</sub> ) |                           |
| <b>W3A</b><br>(2512)     |   |                          |                          | .026±.006<br>(0.65±0.15)  |                           |

## ordering information

| New Part # | RK73Z | 2B   | T   | TD  |
|------------|-------|--|---|---|
|            | Type  | Size   | Termination Material  | Packaging   |
|            |       | 1F<br>1H<br>1E<br>1J<br>2A<br>2B<br>2E<br>2H<br>3A<br>W2H<br>W3A | T: Sn<br>(1F, 1H, 1E, 1J, 2A, 2B, 2E, 2H, 3A)<br>L: SnPb<br>(1E, 1J, 2A, 2B, 2E, 2H, 3A)<br>G: Au<br>(1E, 1J, 2A - Contact factory) | TX: 01005 only: 4mm width - 1mm pitch embossed plastic<br>TBL: 01005 only: 2mm pitch pressed paper<br>TA: 0201 only: 1mm pitch pressed paper<br>TC: 0201 only: 7" 2mm pitch pressed paper<br>(TC: 10,000 pcs/reel, TCM: 15,000 pcs/reel)<br>TCD: 0201 only: 10" 2mm pitch punched paper<br>TPL: 0402 only: 2mm pitch punch paper<br>TP: 0402, 0603, 0805: 7" 2mm pitch punch paper<br>TD: 0603, 0805, 1206, 1210: 7" 4mm pitch punched paper<br>TDD: 0603, 0805, 1206, 1210: 10" paper tape<br>TE: 0805, 1206, 1210, 2010 & 2512: 7" punched plastic<br>TED: 0805, 1206, 1210, 2010 & 2512: 10" punched plastic<br>For further information on packaging, please refer to Appendix A |

Specifications given herein may be changed at any time without prior notice. Please confirm technical specifications before you order and/or use.

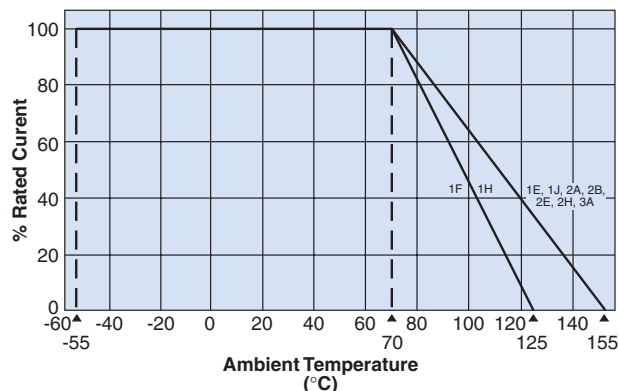
11/05/09

## applications and ratings

| Part Designation                           | Maximum Continuous Current @ 70°C | Maximum Surge Current @ 70°C | Maximum Resistance | Operating Temperature Range |
|--|-----------------------------------|------------------------------|--------------------|-----------------------------|
| RK73Z1F                                    | 0.5 Amps                          | 1.0 Amp Max. for < 1 second  | 50mΩ               | -55°C to +125°C             |
| RK73Z1H                                    | 0.5 Amps                          | 1.0 Amp Max. for < 1 second  |                    |                             |
| RK73Z1E<br>RK73Z1J                         | 1.0 Amps                          | 2 Amp Max. for < 1 second    |                    |                             |
| RK73Z2A                                    | 2.0 Amps                          | 5 Amp Max. for < 1 second    |                    |                             |
| RK73Z2B<br>RK73Z2E<br>RK73ZW2H<br>RK73ZW3A | 2.0 Amps                          | 10 Amp Max. for < 1 second   |                    | -55°C to +155°C             |

## environmental applications

### Derating Curve



For resistors operated at an ambient temperature of 70°C or above, a current rating shall be derated in accordance with the above derating curve.

## Performance Characteristics

| Parameter                   | Requirement Δ R            |                           | Test Method  |
|-----------------------------|----------------------------|---------------------------|--|
|                             | Limit                      | Typical                   |  |
| Resistance                  | 50m Ω Max. after the test  | 15m Ω Max. after the test | 25°C   |
| Overload (Short time)       | 50m Ω Max. after the test  | 18m Ω Max. after the test | Maximum surge current for 5 seconds  |
| Resistance to Solder Heat   | 50m Ω Max. after the test  | 15m Ω Max. after the test | 260°C ± 5°C, 10 seconds ± 1 second   |
| Rapid Change of Temperature | 50m Ω Max. after the test  | 15m Ω Max. after the test | -55°C (30 minutes), +125°C (30 minutes), 100 cycles                            |
| Moisture Resistance         | 100m Ω Max. after the test | 18m Ω Max. after the test | 40°C ± 2°C, 90%-95% RH, 1000 hours, 1.5 hr ON, 0.5 hr OFF cycle                |
| Endurance at 70°C           | 100m Ω Max. after the test | 18m Ω Max. after the test | 70°C ± 2°C, 1000 hours, 1.5 hr ON, 0.5 hr OFF cycle                            |
| High Temperature Exposure   | 50m Ω Max. after the test  | 15m Ω Max. after the test | +125°C, 1000 hours: 1F, 1H<br>+155°C, 1000 hours: 1E, 1J, 2A, 2B, 2E, W2H, W3A |