

Bezeichnung :
description :

A	mm
B	mm
C	mm
D	mm
E	mm

Eigenschaften / properties

Induktivität (je Wicklg.) /
inductance (each wdg.)
DC-Widerstand (je Wicklg.) /
DC-resistance (each wdg.)
DC-Widerstand (je Wicklg.) /
DC-resistance (each wdg.)
Nennstrom (je Wicklg.) /
rated Current (each wdg.)
Sättigungsstrom (je Wicklg.) /
saturation current (each wdg.)
Eigenres.-Frequenz /
self-res.-frequency
Nennspannung /
rated voltage

Δ

I_{sat}

A
MHz

Wert / value Einheit / unit tol.

Umgebungstemperatur / temperature: 33%
+20°C

Ferrit/ ferrite

Betriebstemp. / operating temperature: -40°C - + 125°C
Umgebungstemp. / ambient temperature: -40°C - + 85°C
It is recommended that the temperature of the part does
not exceed 125°C under worst case operating conditions.

SSt	06-03-01
SST	05-03-29
MST	04-10-11
SST	04-09-15
SST	04-03-09
AG	03-06-11
AG	02-11-23
Name	Datum / date

Spezifikation für Freigabe / specification for release

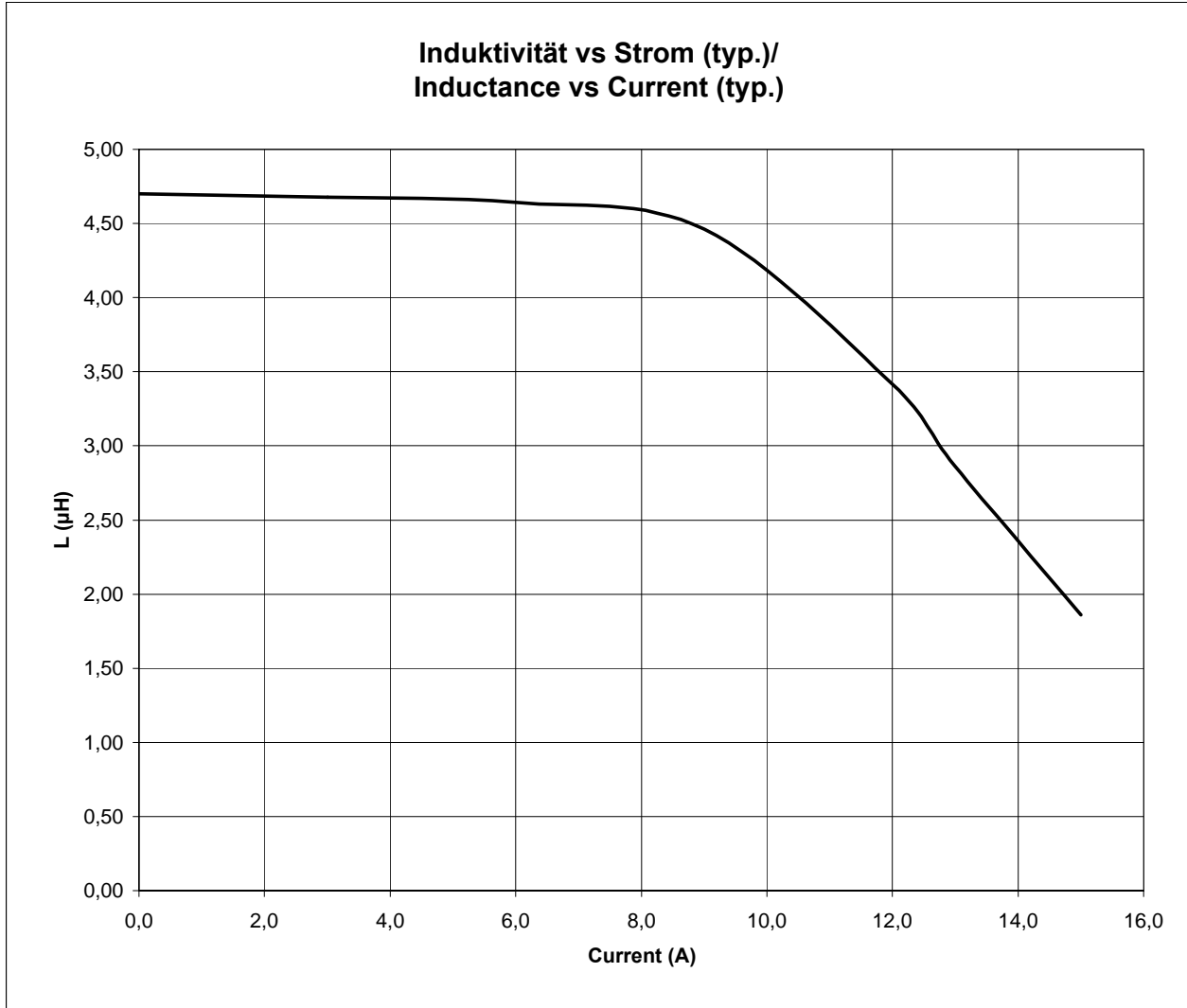
Kunde / customer : _____
 Artikelnummer / part number : **744870004**
 Bezeichnung : **DOPPELDROSSEL WE-DD**
 description : **POWER-CHOKE WE-DD**

LF



DATUM / DATE : 2006-03-01

H Induktivitätskurve / Inductance curve:



Freigabe erteilt / general release:	Kunde / customer		
		SSt	Version 7 06-03-01
		SST	Version 6 05-03-29
		MST	Version 5 04-10-11
Datum / date	Unterschrift / signature	SST	Version 4 04-09-15
		Würth Elektronik	
		SST	Version 3 04-03-09
		AG	Version 2 03-06-11
		AG	Version 1 02-11-23
Geprüft / checked	Kontrolliert / approved	Name	Änderung / modification Datum / date

Würth Elektronik eiSos GmbH & Co. KG

D-74638 Waldenburg · Max-Eyth-Strasse 1 · Germany · Telefon (+49) (0) 7942 - 945 - 0 · Telefax (+49) (0) 7942 - 945 - 400
<http://www.we-online.de>

Spezifikation für Freigabe / specification for release

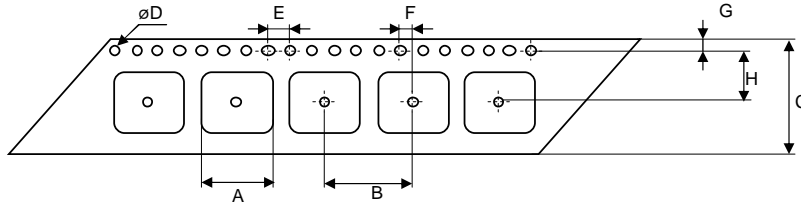
Kunde / customer : _____
 Artikelnummer / part number : **744870004**
 Bezeichnung : **DOPPELDROSSEL WE-DD**
 description : **POWER-CHOKE WE-DD**

LF

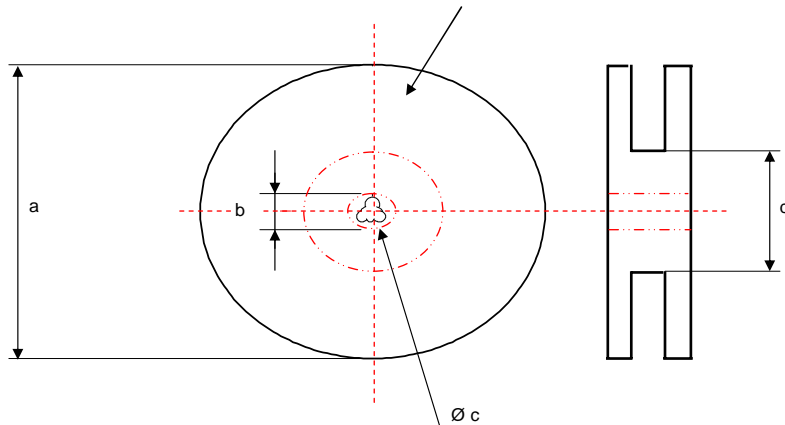
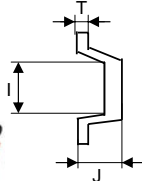


DATUM / DATE : 2006-03-01

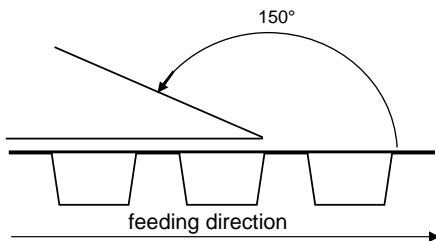
I Rollenspezifikation / tape and reel specification:



Gurtspezifikation / Tape specification:		
A	12,5 ± 0,1	mm
B	16,0 ± 0,1	mm
C	24,0 ± 0,3	mm
D	1,50 +0,1 - 0,0	mm
E	4,00 ± 0,1	mm
F	2,00 ± 0,1	mm
G	1,75 ± 0,1	mm
H	11,5 ± 0,1	mm
I	12,6 ± 0,1	mm
J	8,50 ± 0,1	mm
T	0,40 ± 0,05	mm



Rollenspezifikation / Reel specification:		
a	330,0 ± 2,0	mm
b	21,00 ± 0,8	mm
c	13,00 ± 0,5	mm
d	100,0 ± 1,0	mm



The force for tearing off cover tape is 20 to 70 grams in arrow direction

Freigabe erteilt / general release:	Kunde / customer		
	SSt	Version 7	06-03-01
Datum / date	Unterschrift / signature		
	SST	Version 6	05-03-29
Geprüft / checked	Würth Elektronik		
	MST	Version 5	04-10-11
Kontrolliert / approved	SST	Version 4	04-09-15
	SST	Version 3	04-03-09
	AG	Version 2	03-06-11
	AG	Version 1	02-11-23
	Name	Änderung / modification	Datum / date

This electronic component is designed and developed with the intention for use in general electronics equipments. Before incorporating the components into any equipments in the field such as aerospace, aviation, nuclear control, submarine, transportation, (automotive control, train control, ship control), transportation signal, disaster prevention, medical, public information network etc. where higher safety and reliability are especially required or if there is possibility of direct damage or injury to human body. In addition, even electronic component in general electronic equipments, when used in electrical circuits that require high safety, reliability functions or performance, the sufficient reliability evaluation-check for the safety must be performed before use. It is essential to give consideration when to install a protective circuit at the design stage.

Würth Elektronik eiSos GmbH & Co. KG

D-74638 Waldenburg · Max-Eyth-Strasse 1 · Germany · Telefon (+49) (0) 7942 - 945 - 0 · Telefax (+49) (0) 7942 - 945 - 400
<http://www.we-online.de>