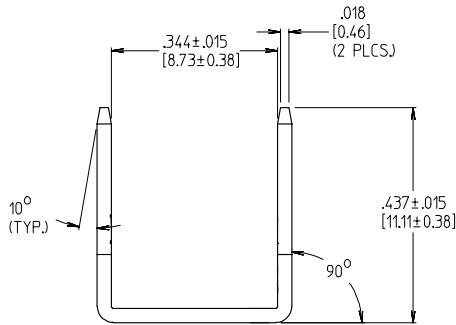
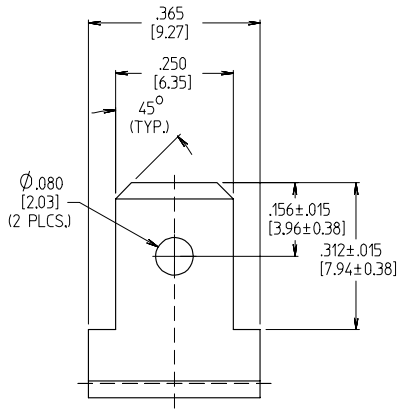
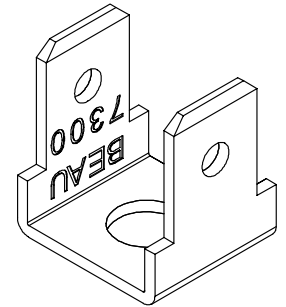
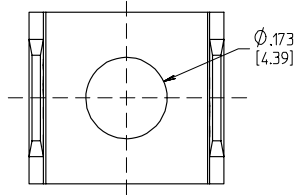


38002

MATERIAL NO.	ENGINEERING NO.	DESCRIPTION
380021009	7304-0701-A110	PART AS FORMED
380021010	7312	PART AFTER FINISH



- NOTES:
 1. MATERIAL: BRASS
 2. FINISH: TIN OVER COPPER PLATED
 3. PART IS ROHS COMPLIANT.

INITIAL RELEASE EC NO: EITC2007-0073 DRAWN BY: DRW:HEHLE 2006/08/18 CHECKED: JMACNEIL 2006/08/18 APPR: JMACNEIL 2006/08/18	QUALITY SYMBOLS ▽=0 ▽=0	GENERAL TOLERANCES (UNLESS SPECIFIED)		DIMENSION STYLE IN/MM	SCALE 5:1	DESIGN UNITS INCH	THIRD ANGLE PROJECTION		
		4 PLACES ± --- ± ---	3 PLACES ± --- ± .005	2 PLACES ± 0.13 ± .01	1 PLACE ± 0.3 ± ---	DRAWN BY EHILE DATE 2006/08/18	TITLE TERMINAL, FT, VRVR		
		ANGULAR ± 1 °				CHECKED BY JMACNEIL DATE 2006/08/18	APPROVED BY RDEROSS DATE 2006/08/18		
		DRAFT WHERE APPLICABLE MUST REMAIN WITHIN DIMENSIONS				MATERIAL NO. SEE CHART	DOCUMENT NO. SD-38002-050	MOLEX INCORPORATED	
REV A	DESCRIPTION	SIZE B	THIS DRAWING CONTAINS INFORMATION THAT IS PROPRIETARY TO MOLEX INCORPORATED AND SHOULD NOT BE USED WITHOUT WRITTEN PERMISSION					SHEET NO. 1 OF 1	