

Part Number:101-00413-**

4-IN-1(P-P) Conn.

**Bottom mount uneven PCB type
(SD, MMC, MS, XD)**

- Push-push eject type
- SMT
- Application for notebook computers, card readers

1.Materials:

Housing: High temperature thermoplastic,
UL 94V-0 rated.

Contact: Copper alloy

Cover: SUS304

2.Contact finish:

Selective 1~15u" gold plating on contact area,
tin 160u" plating at solder tail, over nickel plating
(50U" min)

3.Electrical specifications:

Voltage Rating: 250VAC

Current Rating: 0.5A per contact

Dielectric strength: 500VAC initial and 250VAC
final for one minute

Insulation Resistance: 1000MΩ min at 250VDC

Contact Resistance: 100mΩ max

Operating temperature: -20°C~+60°C

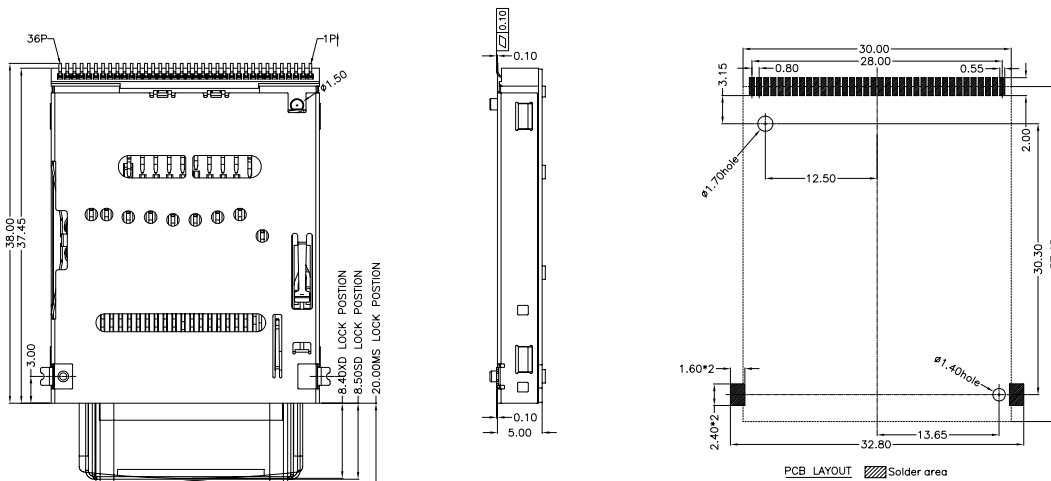
4.Mechanical specifications:

Durability: 10000cycles.

Mating force: 40N max.

Unmating force: 2N min

5.RoHS Compliant



PIN#	XD	MS	SD	PIN#	XD	MS	SD	PIN#	XD	MS	SD
P1	2P			P13	1P&9P	1P&10P	3P&6P	P25			7P
P2	3P			P14		9P		P26	12P		
P3	4P			P15		8P		P27	3P		
P4	5P			P16		7P		P28	4P		
P5	6P			P17		6P		P29			8P
P6	7P			P18		5P		P30	15P		
P7	8P			P19		4P		P31	16P		
P8	10P			P20		3P		P32	17P		
P9	11P			P21		2P		P33	18P		
P10		9P	P22	1P&9P	1P&10P	3P&6P	P34	19P			
P11		1P	P23			4P	P35			WP	
P12		2P	P24			5P	P36			CD	

