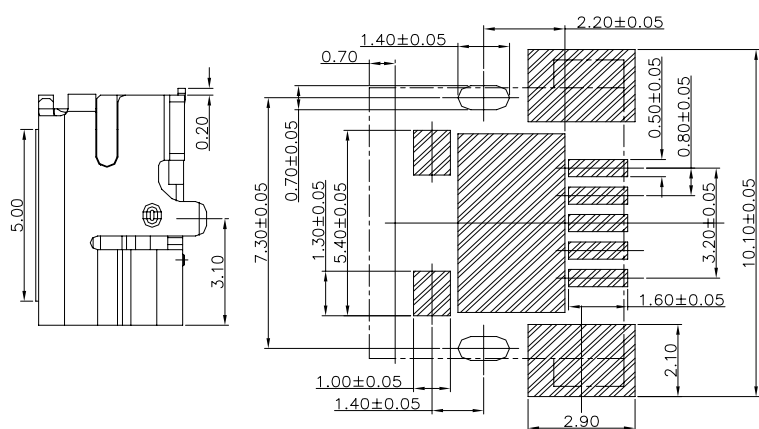
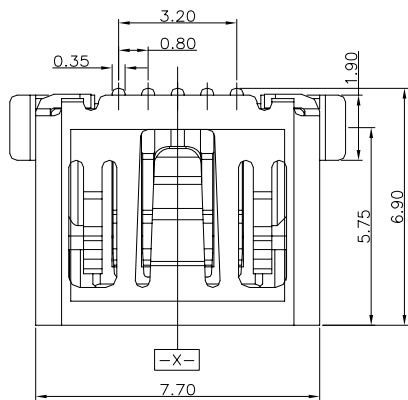




**Part Number:105-00321-\*\***  
**MINI USB 5P female Short Type-I**

- DIP
- Application for Mobile Phone

- 1.Materials:  
 Housing: High temperature thermoplastic,  
 UL 94V-0 rated.  
 Contact: Copper alloy  
 Cover: Copper alloy with 50u" nickel over all
- 2.Contact finish:  
 Selective 1~30u" gold plating on contact area,  
 over nickel plating (50u"min)
- 3.Electrical specifications:  
 Voltage Rating: 50VAC min  
 Current Rating: 1.5A per contact max  
 Dielectric strength: Apply 500V AC for 1 minute  
 between adjacent terminals and ground  
 Insulation Resistance: 1000MΩ min at 500VDC  
 Contact Resistance: 50mΩ max  
 Operating temperature: -20°C~+85°C
- 4.Mechanical specifications:  
 Durability: 5000cycles.  
 Mating force: 35N max.  
 Unmating force: 3N min
- 5.RoHS Compliant



Recommended PC Board Layout

