

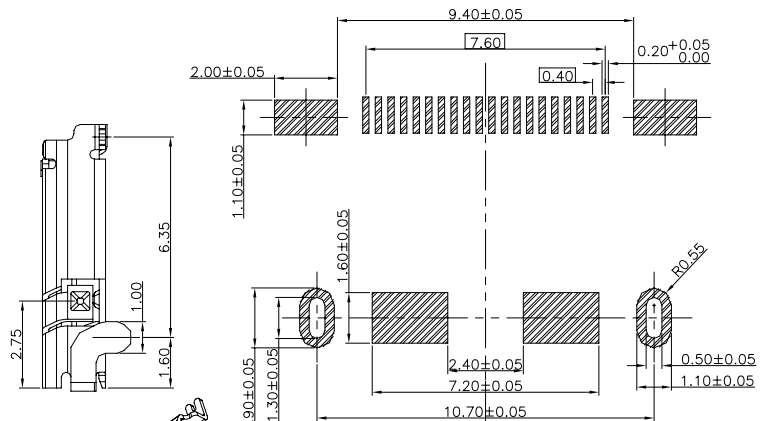
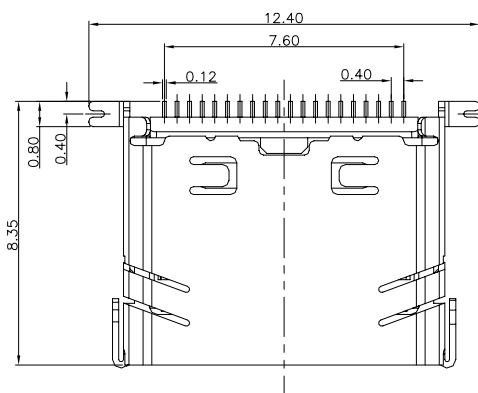


Part Number:105-00210-**

MMI Female 20PIN

- Application for mobile phones

- 1.Materials:
Housing: High temperature thermoplastic, UL 94V-0 rated.
Contact: Copper alloy
Cover: SUS304
- 2.Contact finish:
Selective 15u" gold plating on contact area, over nickel plating (50u"min)
- 3.Shell finish:
Over weld nickel plating (40u"min)
- 4.Electrical specifications:
Voltage Rating: 30VAC
Current Rating: 0.3A per contact
Dielectric strength:500VAC initial and 250VAC final for one minute
Insulation Resistance: 100MΩ min at 500VDC
Contact Resistance: 100mΩ max at 100mA
Operating temperature: -30°C~+80°C
- 5.Mechanical specifications:
Durability: 5000cycles.
Mating force: 3.5Kg max.
Unmating force: 0.8~3.5Kg
- 6.RoHS Compliant



P.C.B LAYOUT

