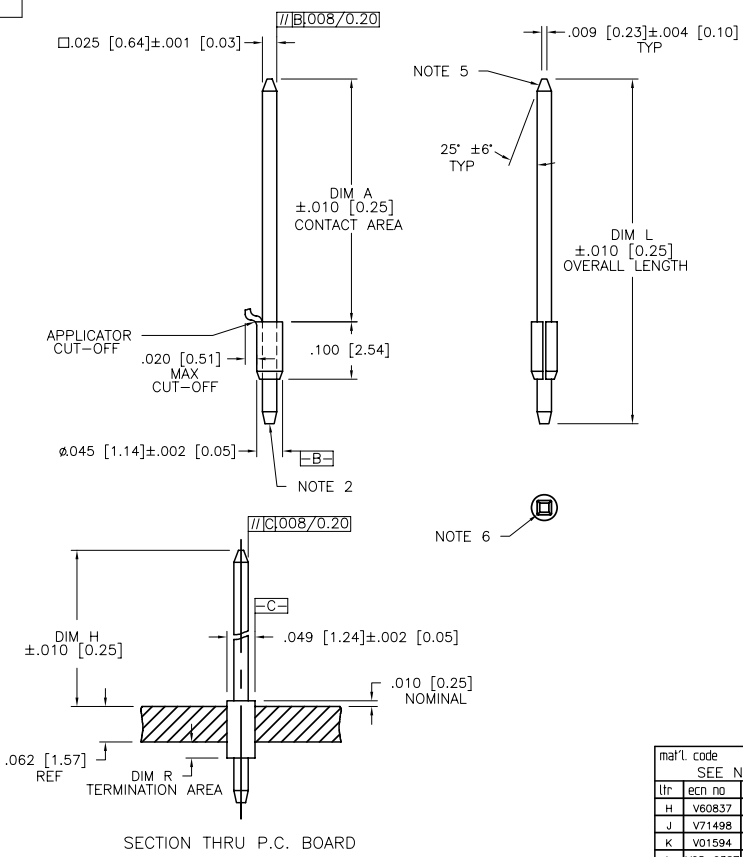


PRODUCT NUMBER  
SEE TABLE



NOTES :

1. MATERIAL : POST, 3/4 HD PHOS BRONZE ASTM B-159-66.  
FERRULE, 3/4 HD CARTRIDGE BRASS ASTM B-36-67.
2. FLAT MAY GO TO .016 [0.41] MAX WHEN DIM "R" IS UNDER .200 [5.08].
3. SEE PRODUCT SPECIFICATION BUS-12-040 FOR P.C. BOARD HOLE DIAMETER AND P.C. BOARD HOLE PLATING INFORMATION.
4. CENTER LINE OF THE TERMINAL MUST BE IN THE TRUE POSITION IN RESPECT TO THE HOLE AXIS, WITHIN .015 [0.38] DIA AFTER INSERTION IN P.C. BOARD.
5. TWO SIDES OF LEAD-IN NOT PLATED. TYP BOTH ENDS.
6. .002 [0.05] R MAX TYP (4) ON WIRE WRAP PORTION OF POST.
7. POST TO FERRULE RETENTION 12 LBS [5.44 KG] MIN. BEFORE STAKING.
8. POST IS BONDED TO FERRULE.
9. BURNISH MARKS ON PINS PERMITTED.
10. .015 [0.38] MAX SOLDER PERMISSIBLE ABOVE AND BELOW THE FERRULE ON THE SURFACE OF THE PIN.
11. ADD AN LF SUFFIX TO PART NUMBERS FOR PRODUCT THAT MEETS EUROPEAN UNION DIRECTIVES AND OTHER COUNTRY REGULATIONS AS DESCRIBED IN GS-22-008. PLATING CODE 4 AVAILABLE AS LF (TIN) ONLY.
12. THIS PRODUCT HAS 100% TIN PLATING IN THE INTERFACE AND HAS NOT BEEN TESTED FOR WHISKER GROWTH IN ALL INTERCONNECT ENVIRONMENTS.

mat'l. code		surface		tolerance		projection		product family	
SEE NOTE 1		ASME Y14.5 ✓		ASME Y14.5		INCH/MM		PIN PRODUCTS	
l/r	ec'n no	dr	date	tolerances unless otherwise specified		INCH/MM		title	
H	V60837	EPK	1996-06-10	angles	XXX+01/XX+3	scale 5:1		BERGPOST® LOOSE PIECE WITH RETENTION NICKS	
J	V71498	HTB	1997-10-28	flatness	XXX+005/XXX+18	FCI		dwg no 76200 sheet 1 of 4 size A4	
K	V01594	JRW	2000-07-12	0°±2'	XXXX+0020/XXX+051	type		CUSTOMER Drawing	
L	V05-0387	HTB	2005-04-27	dr	E. KROPIEWICKI	1996-06-10			
M	V06-0685	HTB	2006-07-26	engr	L. FYE	1996-06-10			
N	V08-0379	HTB	2008-09-04	chr	T. BREWBAKER	1996-06-10			
				appd	L. FYE	1996-06-10			
sheet	revision	N	N	N	N				
index	sheet	1	2	3	4				

Copyright FCJ



FCIconnect.com

1

2

3

4

PRODUCT NUMBER NOTE 11	CONTACT AREA DIM A	DIM H	OVERALL LENGTH DIM L	DIM R	PLATING CODE
76200-001	.308 / 7.82	.328 / 8.33	.450 / 11.43	.060 / 1.52	OBSOLETE
76200-001LF	.308 / 7.82	.328 / 8.33	.450 / 11.43	.060 / 1.52	4
76200-002	.558 / 14.17	.578 / 14.68	.700 / 17.78	.060 / 1.52	OBSOLETE
76200-002LF	.558 / 14.17	.578 / 14.68	.700 / 17.78	.060 / 1.52	4
76200-003	.698 / 17.73	.718 / 18.24	.840 / 21.34	.060 / 1.52	OBSOLETE
76200-003LF	.698 / 17.73	.718 / 18.24	.840 / 21.34	.060 / 1.52	4
76200-004	.748 / 19.00	.768 / 19.51	.890 / 22.61	.060 / 1.52	OBSOLETE
76200-004LF	.748 / 19.00	.768 / 19.51	.890 / 22.61	.060 / 1.52	4
76200-005	.558 / 14.17	.578 / 14.68	1.210 / 30.73	.570 / 14.48	OBSOLETE
76200-005LF	.558 / 14.17	.578 / 14.68	1.210 / 30.73	.570 / 14.48	4
76200-006	.558 / 14.17	.578 / 14.68	1.400 / 35.56	.760 / 19.30	OBSOLETE
76200-006LF	.558 / 14.17	.578 / 14.68	1.400 / 35.56	.760 / 19.30	4
76200-007	.698 / 17.73	.718 / 18.24	1.485 / 37.72	.705 / 17.91	OBSOLETE
76200-007LF	.698 / 17.73	.718 / 18.24	1.485 / 37.72	.705 / 17.91	4
76200-008	.228 / 5.79	.248 / 6.30	.370 / 9.40	.060 / 1.52	OBSOLETE
76200-008LF	.228 / 5.79	.248 / 6.30	.370 / 9.40	.060 / 1.52	4
76200-009	.558 / 14.17	.578 / 14.68	.880 / 22.35	.240 / 6.10	OBSOLETE
76200-009LF	.558 / 14.17	.578 / 14.68	.880 / 22.35	.240 / 6.10	4
76200-010	.583 / 14.81	.603 / 15.32	1.000 / 25.40	.335 / 8.51	OBSOLETE
76200-010LF	.583 / 14.81	.603 / 15.32	1.000 / 25.40	.335 / 8.51	4
76200-011	.308 / 7.82	.328 / 8.33	.450 / 11.43	.060 / 1.52	1
76200-011LF	.308 / 7.82	.328 / 8.33	.450 / 11.43	.060 / 1.52	1
76200-012	SUPERCEDED BY 76200-070				
76200-013	.698 / 17.73	.718 / 18.24	.840 / 21.34	.060 / 1.52	1
76200-013LF	.698 / 17.73	.718 / 18.24	.840 / 21.34	.060 / 1.52	1
76200-014	SUPERCEDED BY 76200-059				
76200-015	.558 / 14.17	.578 / 14.68	1.210 / 30.73	.570 / 14.48	1
76200-015LF	.558 / 14.17	.578 / 14.68	1.210 / 30.73	.570 / 14.48	1
76200-016	.558 / 14.17	.578 / 14.68	1.400 / 35.56	.760 / 19.30	1
76200-016LF	.558 / 14.17	.578 / 14.68	1.400 / 35.56	.760 / 19.30	1
76200-017	.698 / 17.73	.718 / 18.24	1.485 / 37.72	.705 / 17.91	1
76200-017LF	.698 / 17.73	.718 / 18.24	1.485 / 37.72	.705 / 17.91	1
76200-018	.228 / 5.79	.248 / 6.30	.370 / 9.40	.060 / 1.52	1
76200-018LF	.228 / 5.79	.248 / 6.30	.370 / 9.40	.060 / 1.52	1
76200-019	.558 / 14.17	.578 / 14.68	.880 / 22.35	.240 / 6.10	1
76200-019LF	.558 / 14.17	.578 / 14.68	.880 / 22.35	.240 / 6.10	1

PRODUCT NUMBER NOTE 11	CONTACT AREA DIM A	DIM H	OVERALL LENGTH DIM L	DIM R	NOTES
76200-020	.380 / 9.65	.400 / 10.16	.520 / 13.21	.058 / 1.47	3
76200-020LF	.380 / 9.65	.400 / 10.16	.520 / 13.21	.058 / 1.47	3
76200-021	.520 / 13.21	.540 / 13.72	.662 / 16.81	.060 / 1.52	3
76200-021LF	.520 / 13.21	.540 / 13.72	.662 / 16.81	.060 / 1.52	3
76200-022	.380 / 9.65	.400 / 10.16	.772 / 19.61	.320 / 8.13	3
76200-022LF	.380 / 9.65	.400 / 10.16	.772 / 19.61	.320 / 8.13	3
76200-023	.520 / 13.21	.540 / 13.72	.912 / 23.16	.320 / 8.13	3
76200-023LF	.520 / 13.21	.540 / 13.72	.912 / 23.16	.320 / 8.13	3
76200-024	.380 / 9.65	.400 / 10.16	.522 / 13.26	.060 / 1.52	OBSOLETE
76200-024LF	.380 / 9.65	.400 / 10.16	.522 / 13.26	.060 / 1.52	4
76200-025	.520 / 13.21	.540 / 13.72	.662 / 16.81	.060 / 1.52	OBSOLETE
76200-025LF	.520 / 13.21	.540 / 13.72	.662 / 16.81	.060 / 1.52	4
76200-026	.380 / 9.65	.400 / 10.16	.772 / 19.61	.320 / 8.13	OBSOLETE
76200-026LF	.380 / 9.65	.400 / 10.16	.772 / 19.61	.320 / 8.13	4
76200-027	.520 / 13.21	.540 / 13.72	.912 / 23.16	.320 / 8.13	OBSOLETE
76200-027LF	.520 / 13.21	.540 / 13.72	.912 / 23.16	.320 / 8.13	4
76200-028	.228 / 5.79	.248 / 6.30	.550 / 13.97	.240 / 6.10	3
76200-028LF	.228 / 5.79	.248 / 6.30	.550 / 13.97	.240 / 6.10	3
76200-029	.323 / 8.20	.343 / 8.71	.463 / 11.76	.058 / 1.47	3
76200-029LF	.323 / 8.20	.343 / 8.71	.463 / 11.76	.058 / 1.47	3
76200-030	.573 / 14.55	.593 / 15.06	.715 / 18.16	.060 / 1.52	3
76200-030LF	.573 / 14.55	.593 / 15.06	.715 / 18.16	.060 / 1.52	3
76200-031	.698 / 17.73	.718 / 18.24	.840 / 21.34	.060 / 1.52	3
76200-031LF	.698 / 17.73	.718 / 18.24	.840 / 21.34	.060 / 1.52	3
76200-032	.763 / 19.38	.783 / 19.89	.905 / 22.99	.060 / 1.52	3
76200-032LF	.763 / 19.38	.783 / 19.89	.905 / 22.99	.060 / 1.52	3
76200-033	.573 / 14.55	.593 / 15.06	1.240 / 31.50	.585 / 14.86	3
76200-033LF	.573 / 14.55	.593 / 15.06	1.240 / 31.50	.585 / 14.86	3
76200-034	.573 / 14.55	.593 / 15.06	1.430 / 36.32	.775 / 19.69	3
76200-034LF	.573 / 14.55	.593 / 15.06	1.430 / 36.32	.775 / 19.69	3

PLATING CODE	PLATING	UNDERPLATING
1	30µ" [0.76µ] Au	50µ" [1.27µ] Ni
2	UNASSIGNED	
3	50µ" [1.27µ] Au	50µ" [1.27µ] Ni
4	TIN LEAD OPTION LF OPTION (NOTE 12)	120µ" [3.05µ] 93/7 SnPb 100µ" [2.54µ] Sn
5	30µ" [0.76µ] GXT™	50µ" [1.27µ] Ni
6	15µ" [0.38µ] GXT™	50µ" [1.27µ] Ni
7	UNASSIGNED	
8	UNASSIGNED	
9	15µ" [0.38µ] Au	50µ" [1.27µ] Ni

DISCONTINUED

mal'l code	surface	tolerance	projection	product family
SEE NOTE 1	ASME Y14.5 ✓	ASME Y14.5		PIN PRODUCTS
tr ecn no dr date	tolerances unless otherwise specified		INCH/MM	title
	angles	XXX-01/XX+3		BERGPOST® LOOSE PIECE
	0°±2'	XXXX+0020/XXX+051	scale 1:1	WITH RETENTION NICKS
	dr	E. KROPIEWNICKI 1996-06-04		dwg no
	enrg	L. FYE 1996-06-04		76200
	chr	T. BREWBAKER 1996-06-04		sheet 2 of 4
sheet index	revision sheet	appd	L. FYE 1996-06-04	size A4
				type CUSTOMER Drawing

form A4mmLc

1

2

3

4

Copyright FCJ



FCJconnect.com

1

2

3

4

PRODUCT NUMBER NOTE 11	CONTACT AREA DIM A	DIM H	OVERALL LENGTH DIM L	DIM R	PLATING CODE
76200-035	.698 / 17.73	.718 / 18.24	1.485 / 37.72	.705 / 17.91	3
76200-035LF	.698 / 17.73	.718 / 18.24	1.485 / 37.72	.705 / 17.91	3
76200-036	.228 / 5.79	.248 / 6.30	.370 / 9.40	.060 / 1.52	3
76200-036LF	.228 / 5.79	.248 / 6.30	.370 / 9.40	.060 / 1.52	3
76200-037	.573 / 14.55	.593 / 15.06	.895 / 22.73	.240 / 6.10	3
76200-037LF	.573 / 14.55	.593 / 15.06	.895 / 22.73	.240 / 6.10	3
76200-038	.448 / 11.38	.468 / 11.89	.590 / 14.99	.060 / 1.52	3
76200-038LF	.448 / 11.38	.468 / 11.89	.590 / 14.99	.060 / 1.52	3
76200-039	.485 / 12.32	.505 / 12.83	.960 / 24.38	.393 / 9.98	OBSOLETE
76200-039LF	.485 / 12.32	.505 / 12.83	.960 / 24.38	.393 / 9.98	4
76200-040	.380 / 9.65	.400 / 10.16	.522 / 13.26	.060 / 1.52	1
76200-040LF	.380 / 9.65	.400 / 10.16	.522 / 13.26	.060 / 1.52	1
76200-041	.583 / 14.81	.603 / 15.32	1.000 / 25.40	.335 / 8.51	1
76200-041LF	.583 / 14.81	.603 / 15.32	1.000 / 25.40	.335 / 8.51	1
76200-042	.520 / 13.21	.540 / 13.72	.912 / 23.16	.320 / 8.13	1
76200-042LF	.520 / 13.21	.540 / 13.72	.912 / 23.16	.320 / 8.13	1
76200-043	.558 / 14.17	.578 / 14.68	.700 / 17.78	.060 / 1.52	3
76200-043LF	.558 / 14.17	.578 / 14.68	.700 / 17.78	.060 / 1.52	3
76200-044	.615 / 15.62	.628 / 15.95	1.010 / 25.65	.320 / 8.13	3
76200-044LF	.615 / 15.62	.628 / 15.95	1.010 / 25.65	.320 / 8.13	3
76200-045	.323 / 8.20	.343 / 8.71	.465 / 11.81	.060 / 1.52	OBSOLETE
76200-045LF	.323 / 8.20	.343 / 8.71	.465 / 11.81	.060 / 1.52	4
76200-046	SUPERCEDED BY 76200-069				
76200-047	.240 / 6.10	.260 / 6.60	.732 / 18.59	.410 / 10.41	1
76200-047LF	.240 / 6.10	.260 / 6.60	.732 / 18.59	.410 / 10.41	1
76200-048	.390 / 9.91	.410 / 10.41	1.075 / 27.31	.603 / 15.32	1
76200-048LF	.390 / 9.91	.410 / 10.41	1.075 / 27.31	.603 / 15.32	1
76200-049	.380 / 9.65	.400 / 10.16	.710 / 18.03	.248 / 6.30	3
76200-049LF	.380 / 9.65	.400 / 10.16	.710 / 18.03	.248 / 6.30	3
76200-050	.368 / 9.35	.328 / 8.33	.450 / 11.43	.060 / 1.52	OBSOLETE
76200-050LF	.368 / 9.35	.328 / 8.33	.450 / 11.43	.060 / 1.52	4
76200-051	.630 / 16.00	.650 / 16.51	1.122 / 28.50	.410 / 10.41	1
76200-051LF	.630 / 16.00	.650 / 16.51	1.122 / 28.50	.410 / 10.41	1
76200-052	.390 / 9.91	.410 / 10.41	1.122 / 28.50	.650 / 16.51	1
76200-052LF	.390 / 9.91	.410 / 10.41	1.122 / 28.50	.650 / 16.51	1

PRODUCT NUMBER NOTE 11	CONTACT AREA DIM A	DIM H	OVERALL LENGTH DIM L	DIM R	PLATING CODE
76200-053	.255 / 6.48	.275 / 6.99	.772 / 19.61	.435 / 11.05	3
76200-053LF	.255 / 6.48	.275 / 6.99	.772 / 19.61	.435 / 11.05	3
76200-054	.255 / 6.48	.275 / 6.99	.642 / 16.31	.305 / 7.75	3
76200-054LF	.255 / 6.48	.275 / 6.99	.642 / 16.31	.305 / 7.75	3
76200-055	.651 / 16.54	.671 / 17.04	.793 / 20.14	.060 / 1.52	1
76200-055LF	.651 / 16.54	.671 / 17.04	.793 / 20.14	.060 / 1.52	1
76200-056	.600 / 12.70	.620 / 13.21	.640 / 16.26	.058 / 1.47	OBSOLETE
76200-056LF	.600 / 12.70	.620 / 13.21	.640 / 16.26	.058 / 1.47	4
76200-057	.250 / 6.35	.270 / 6.86	.572 / 14.53	.240 / 6.10	1
76200-057LF	.250 / 6.35	.270 / 6.86	.572 / 14.53	.240 / 6.10	1
76200-058	.250 / 6.35	.270 / 6.86	.390 / 9.91	.058 / 1.47	1
76200-058LF	.250 / 6.35	.270 / 6.86	.390 / 9.91	.058 / 1.47	1
76200-059	.750 / 19.05	.770 / 19.56	.892 / 22.66	.060 / 1.52	1
76200-059LF	.750 / 19.05	.770 / 19.56	.892 / 22.66	.060 / 1.52	1
76200-060	.380 / 9.65	.400 / 10.16	.880 / 22.35	.418 / 10.62	1
76200-060LF	.380 / 9.65	.400 / 10.16	.880 / 22.35	.418 / 10.62	1
76200-061	.280 / 7.11	.300 / 7.62	.552 / 14.02	.190 / 4.83	1
76200-061LF	.280 / 7.11	.300 / 7.62	.552 / 14.02	.190 / 4.83	1
76200-062	.338 / 8.59	.358 / 9.09	.478 / 12.14	.058 / 1.47	1
76200-062LF	.338 / 8.59	.358 / 9.09	.478 / 12.14	.058 / 1.47	1
76200-063	UNAVAILABLE				
76200-063LF	UNAVAILABLE				
76200-064	.380 / 9.65	.400 / 10.16	.960 / 24.38	.498 / 12.65	OBSOLETE
76200-064LF	.380 / 9.65	.400 / 10.16	.960 / 24.38	.498 / 12.65	4
76200-065	.698 / 17.73	.718 / 18.24	1.000 / 25.40	.225 / 5.72	OBSOLETE
76200-065LF	.698 / 17.73	.718 / 18.24	1.000 / 25.40	.225 / 5.72	4
76200-066	.755 / 19.18	.775 / 19.69	1.260 / 32.00	.420 / 10.67	1
76200-066LF	.755 / 19.18	.775 / 19.69	1.260 / 32.00	.420 / 10.67	1
76200-067	.228 / 5.79	.248 / 6.30	.368 / 9.35	.058 / 1.47	OBSOLETE
76200-067LF	.228 / 5.79	.248 / 6.30	.368 / 9.35	.058 / 1.47	4
76200-068	.250 / 6.35	.270 / 6.86	.650 / 16.51	.318 / 8.08	1
76200-068LF	.250 / 6.35	.270 / 6.86	.650 / 16.51	.318 / 8.08	1

A

A

B

B

form A4mmXC

1

2

3

4

mat'l code	surface	tolerance	projection	product family
SEE NOTE 1	ASME Y14.5	ASME Y14.5		PIN PRODUCTS
tr	ecn no	dr	date	tolerances unless otherwise specified
N				angles
				0°±2'
				dr
				enrg
				chr
				appd
sheet	revision			
index	sheet			



Copyright FCJ



FCJconnect.com

PRODUCT NUMBER NOTE 11	CONTACT AREA DIM A	DIM H	OVERALL LENGTH DIM L	DIM R	PLATING CODE
76200-069	.583 / 14.81	.603 / 15.32	1.075 / 27.31	.410 / 10.41	1
76200-069LF	.583 / 14.81	.603 / 15.32	1.075 / 27.31	.410 / 10.41	1
76200-070	.558 / 14.17	.578 / 14.68	.695 / 17.65	.055 / 1.40	1
76200-070LF	.558 / 14.17	.578 / 14.68	.695 / 17.65	.055 / 1.40	1
76200-071	.390 / 9.91	.410 / 10.41	1.075 / 27.31	.603 / 15.32	1
76200-071LF	.390 / 9.91	.410 / 10.41	1.075 / 27.31	.603 / 15.32	1
76200-072	.240 / 6.10	.260 / 6.60	.732 / 18.59	.410 / 10.41	1
76200-072LF	.240 / 6.10	.260 / 6.60	.732 / 18.59	.410 / 10.41	1
76200-073	.630 / 16.00	.650 / 16.51	1.122 / 28.50	.410 / 10.41	1
76200-073LF	.630 / 16.00	.650 / 16.51	1.122 / 28.50	.410 / 10.41	1
76200-074	.390 / 9.91	.410 / 10.41	1.122 / 28.50	.650 / 16.51	1
76200-074LF	.390 / 9.91	.410 / 10.41	1.122 / 28.50	.650 / 16.51	1
76200-075	<del>.573 / 14.55</del>	<del>.593 / 15.06</del>	<del>.895 / 22.73</del>	<del>.240 / 6.10</del>	OBSOLETE
76200-075LF	.573 / 14.55	.593 / 15.06	.895 / 22.73	.240 / 6.10	4
76200-076	.308 / 7.82	.328 / 8.33	.445 / 11.30	.055 / 1.40	1
76200-076LF	.308 / 7.82	.328 / 8.33	.445 / 11.30	.055 / 1.40	1
76200-077	<del>.558 / 14.17</del>	<del>.578 / 14.68</del>	<del>.695 / 17.65</del>	<del>.055 / 1.40</del>	OBSOLETE
76200-077LF	.558 / 14.17	.578 / 14.68	.695 / 17.65	.055 / 1.40	4
76200-078	.400 / 10.16	.420 / 10.67	.892 / 22.66	.410 / 10.41	1
76200-078LF	.400 / 10.16	.420 / 10.67	.892 / 22.66	.410 / 10.41	1
76200-079	.630 / 16.00	.650 / 16.51	.770 / 19.56	.058 / 1.47	1
76200-079LF	.630 / 16.00	.650 / 16.51	.770 / 19.56	.058 / 1.47	1
76200-080	.583 / 14.81	.603 / 15.32	1.075 / 27.31	.410 / 10.41	9
76200-080LF	.583 / 14.81	.603 / 15.32	1.075 / 27.31	.410 / 10.41	9
76200-081	.558 / 14.17	.578 / 14.68	.700 / 17.78	.060 / 1.52	9
76200-081LF	.558 / 14.17	.578 / 14.68	.700 / 17.78	.060 / 1.52	9
76200-082	.390 / 9.91	.410 / 10.41	1.075 / 27.31	.603 / 15.32	9
76200-082LF	.390 / 9.91	.410 / 10.41	1.075 / 27.31	.603 / 15.32	9
76200-083	.240 / 6.10	.260 / 6.60	.732 / 18.59	.410 / 10.41	9
76200-083LF	.240 / 6.10	.260 / 6.60	.732 / 18.59	.410 / 10.41	9
76200-084	.630 / 16.00	.650 / 16.51	1.122 / 28.50	.410 / 10.41	9
76200-084LF	.630 / 16.00	.650 / 16.51	1.122 / 28.50	.410 / 10.41	9
76200-085	.390 / 9.91	.410 / 10.41	1.122 / 28.50	.650 / 16.51	9
76200-085LF	.390 / 9.91	.410 / 10.41	1.122 / 28.50	.650 / 16.51	9

PRODUCT NUMBER NOTE 11	CONTACT AREA DIM A	DIM H	OVERALL LENGTH DIM L	DIM R	PLATING CODE
76200-086	.308 / 7.82	.328 / 8.33	.450 / 11.43	.060 / 1.52	9
76200-086LF	.308 / 7.82	.328 / 8.33	.450 / 11.43	.060 / 1.52	9
76200-087	.400 / 10.16	.420 / 10.67	.892 / 22.66	.410 / 10.41	9
76200-087LF	.400 / 10.16	.420 / 10.67	.892 / 22.66	.410 / 10.41	9
76200-088	.630 / 16.00	.650 / 16.51	.770 / 19.56	.058 / 1.47	9
76200-088LF	.630 / 16.00	.650 / 16.51	.770 / 19.56	.058 / 1.47	9
76200-089	<del>.630 / 16.00</del>	<del>.650 / 16.51</del>	<del>1.122 / 28.50</del>	<del>.410 / 10.41</del>	OBSOLETE
76200-089LF	.630 / 16.00	.650 / 16.51	1.122 / 28.50	.410 / 10.41	4
76200-090	.636 / 16.15	.650 / 16.51	1.122 / 28.50	.410 / 10.41	3
76200-090LF	.636 / 16.15	.650 / 16.51	1.122 / 28.50	.410 / 10.41	3
76200-091	.573 / 14.55	.593 / 15.06	.895 / 22.73	.240 / 6.10	9
76200-091LF	.573 / 14.55	.593 / 15.06	.895 / 22.73	.240 / 6.10	9
76200-092	.485 / 12.32	.505 / 12.83	.960 / 24.38	.393 / 9.98	1
76200-092LF	.485 / 12.32	.505 / 12.83	.960 / 24.38	.393 / 9.98	1

A

A

B

B

mat'l. code	SEE NOTE 1	surface ASME Y14.5	tolerance ASME Y14.5	projection 	product family PIN PRODUCTS
l/r	ec'n no	dr	date	tolerances unless otherwise specified	title
N				angles XXX+01/XX+3	BERGPOST® LOOSE PIECE WITH RETENTION NICKS
				0'±2'	INCH/MM
				XXXX+0020/XXX+051	scale 1:1
				dr E. KROPIEWICKI 1996-06-04	FCJ
				engr L. FYE 1996-06-04	dwg no 76200 sheet 4 of 4 size A4
				chr T. BREWBAKER 1996-06-04	type CUSTOMER Drawing
				appd L. FYE 1996-06-04	
sheet index	revision sheet				

form A4mmX1c