

4

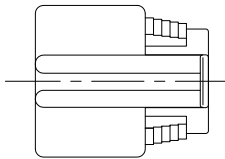
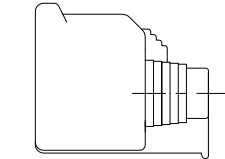
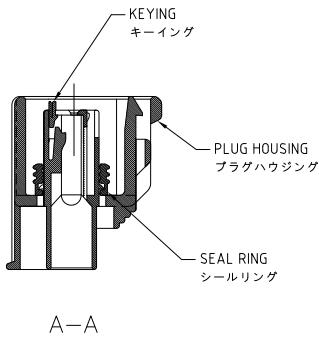
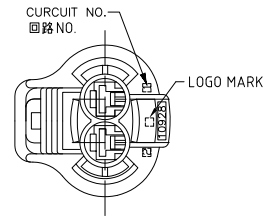
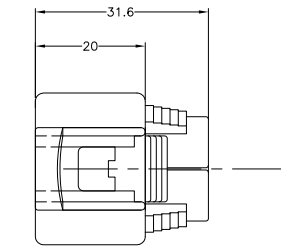
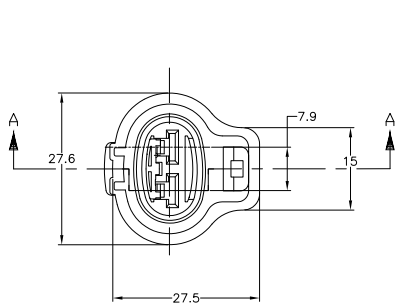
3

2

1

THIS DRAWING IS UNPUBLISHED. RELEASED FOR PUBLICATION. ALL RIGHTS RESERVED.

LOC	DIST	REVISIONS				
		REV	DESCRIPTION	DATE	BY	APPD
J	-	F1	REVISED PER ECO-11-005301	07MAR11	RK	HMR



- MATING PART NO.: 176143
- THIS PRODUCT CONSISTS OF A PLUG HOUSING, A SEAL RING AND A KEYING
- PRODUCT SPECIFICATION: 108-5294  
APPLICATION SPECIFICATION: 114-5126  
CUSTOMER MANUAL: 412-5488
- APPLIED CONTACTS

RECEPTACLE CONTACT P/N	WIRE RANGE (mm <sup>2</sup> )	INSULATION DIA
175090	0.5~1.25	φ2.0~φ2.6
175091	2~3	φ2.9~φ3.8

1. 嵌合相手品番: 176143
2. 本製品はプラグハウジングとキーイング、シールリングから構成されている。
3. 製品規格: 108-5294  
圧着規格: 114-5126  
取扱説明書: 412-5488
4. 適用端子型番

リセグタルコンタクト P/N	ワイヤレンジ (mm <sup>2</sup> )	絶縁外径
175090	0.5~1.25	φ2.0~φ2.6
175091	2~3	φ2.9~φ3.8

黒 BLACK	強灰 LIGHT GRAY	弱灰 LIGHT GRAY	6-176146-6
黒 BLACK <th>濃灰 DARK GRAY</th> <th>濃黒 DARK GRAY</th> <th>176146-6</th>	濃灰 DARK GRAY	濃黒 DARK GRAY	176146-6
黒 BLACK	黒 BLACK	黒 BLACK	176146-2
シールリング色	キーイング色	ハウジング色	部品番号

THIS DRAWING IS A CONTROLLED DOCUMENT.

WIRE RANGE SEE TABLE	INSULATION DIA SEE TABLE	DIMENSIONS: mm	TOLERANCES UNLESS OTHERWISE SPECIFIED: 0 PLG ± 1 PLG ± 2 PLG ± 3 PLG ± 4 PLG ± ANGLES ± FINISH	MATERIAL PBT	SEE TABLE	DIM Y. KINOSHITA 12ND091 CHK Y. KINOSHITA 12ND091 APD S. ISOHATA 12ND091 PRODUCT SPEC 108-5294 APPLICATION SPEC 114-5126 WEIGHT 8.0 g CUSTOMER DRAWING	TE Connectivity 187 SERIES SEALED CONNECTOR 2 POSITION PLUG HOUSING ASSY	SIZE CASE CODE DRAWING NO A2 00779 C=176146	RESTRICTED TO
-------------------------	-----------------------------	-------------------	---	-----------------	-----------	--	--	--	---------------

SCALE: 2:1 SHEET 1 of 1 REV F1