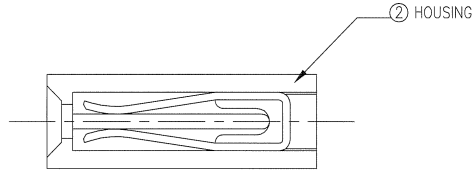
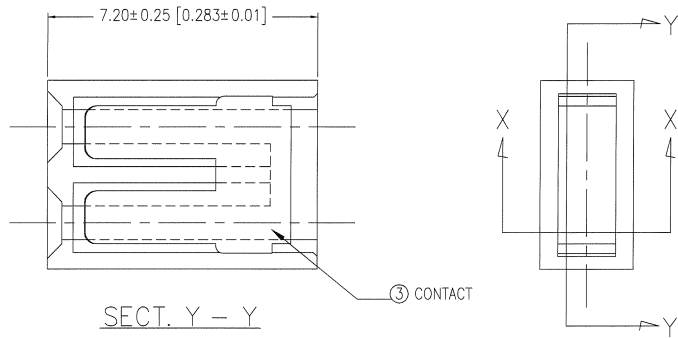
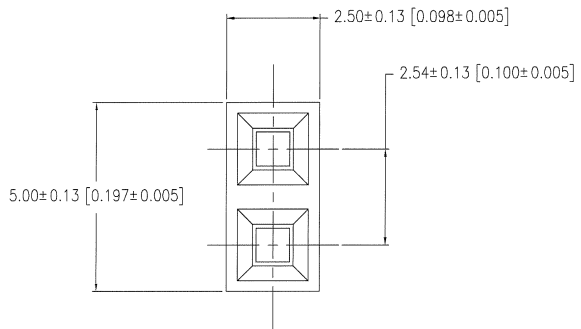


FCI CONFIDENTIAL



Copyright FCI

PRODUCT NO.
66464-102



NOTE
1 HEADER :
PIN SIZE 0.64±0.025 [.025±.001], SQUARE PIN
PIN LENGTH 5.84±0.51 [.230±.020]

② HOUSING :
MAT'L 15% GLASS FILLED PBT(UL94-V0)
COLOR BLACK

③ CONTACT :
MAT'L t=0.2[.0079] PHOSPHOR BRONZE
PLATING
CONTACT Au 0.5um min. [19u" min.]
OVER Ni 1.27um min. [50u" min.]
OTHER Ni 1.27um min. [50u" min.]

mat'l. code				surface	tolerance	projection	product family	CODE
				ISO 1302	ISO 406	mm[inch]	5NEF - SHUNTS	JP
				ISO 1101	ISO 1101			
ltr	description	ecn no	dr	date	tolerances unless otherwise specified		title	
C	REVISED	J8334	F.K	1986-8-21	0.X		2 POS. MINI JUMP CONN.	
D	REVISED	J10-0128	S.W	2010-5-19	linear 0.XX			
					0°±X'	0.XXX	scale 10:1	
					dr	<i>S. D. [signature]</i>	2010-8-11	
					enrg	<i>S. D. [signature]</i>	2010-8-19	
					chr	<i>S. D. [signature]</i>	2010-5-19	
					appd	<i>[signature]</i>	May 19 10	
sheet index	revision sheet	D					FCI	
		1					type Product Customer Drawing	Rev. D

PDM: Rev:D STATUS Released Printed: Oct 20, 2010