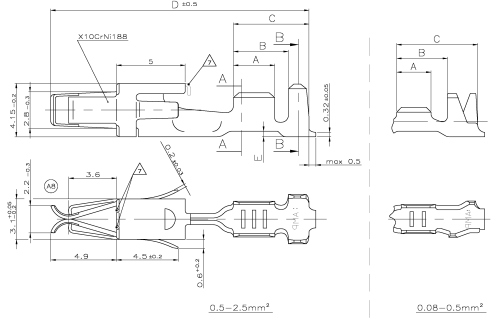
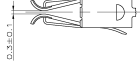


REMARKS  
Bemerkungen

- ⚠ CONTACT BODY PRE-SILVER PLATED MIN. 0.8µm CONTACT ZONE SELECTIVE PRE-SILVER PLATED MIN. 3µm Kontaktkörper vorversilbert min. 0,8µm Kontaktzone selektiv vorversilbert min. 3µm
- ⚠ CONTACT ZONE GOLD PLATED MIN. 0.8µm OVER MIN. 1.3µm Ni-LAYER CRIMP AREA MIN. 1µm TIN PLATED OVER Ni-LAYER Kontaktzone vergoldet min. 0,8µm ueber min. 1,3µm Ni-Zwischenschicht Crimpbereich min. 1µm verzinkt ueber Ni-Zwischenschicht
- ⚠ CANTILEVER SPRING INSIDE AND OUTSIDE 0.4-1.2µm Au Ueberfeder innen und aussen 0,4-1,2µm Au
- ⚠ CONTACT BODY, CONTACT SPRING INSIDE AND CRIMP AREA MIN. 1µm TIN PLATED OVER Ni-LAYER, TOUCHING AREA TO CANTILEVER SPRING AND CONTACT SPRING OUTSIDE SELECTIVE 0.8µm Au OVER MIN. 1.3µm Ni-LAYER Kontaktkörper, Kontaktfeder innen und Crimpbereich min. 1µm verzinkt ueber Ni-Zwischenschicht, Anlagefläche zur Ueberfeder und Kontaktfeder aussen selektiv 0,8µm vergoldet ueber min. 1,3µm Ni-Zwischenschicht
- ⚠ CONTACT ZONE AND TOUCHING AREA TO CANTILEVER SPRING MIN. 0.8µm SELECTIVE Au PLATED OVER 1.3µm Ni PLATED, CRIMP AREA MIN. 1µm TIN PLATED OVER Ni-LAYER Kontaktzone und Anlagefläche zur Ueberfeder min. 0,8µm vergoldet ueber min. 1,3µm Ni-Zwischenschicht Crimpbereich min. 1µm verzinkt ueber Ni-Zwischenschicht
- ⚠ CONTACT BODY AND CRIMP AREA MIN. 1µm TIN PLATED OVER Ni-LAYER, TOUCHING AREA TO CANTILEVER SPRING SELECTIVE 0.8µm Au OVER MIN. 1.3µm Ni-LAYER Kontaktkörper und Crimpbereich min. 1µm verzinkt ueber Ni-Zwischenschicht Anlagefläche zur Ueberfeder selektiv 0,8µm vergoldet ueber min. 1,3µm Ni-Zwischenschicht
- ⚠ CONTACT OFF OPTIONAL Abschnitt/Freeschnitt optional
- ⚠ CONTACT RE-TREATED WITH LUBRICANT BARRIERTA DISPERSION Kontakt mit Gleitmittel Barrierta Dispersion behandelt
- ⚠ VARIANTS WITH GAP-SIZE 0.3±0.1mm Varianten mit Gap-Size 0,3±0,1mm



ORDER-NO. STRIP FORM Bestell-Nr. Bandform	REV	MATERIAL	SURFACE Oberfläche	DGB	SECTION A-A Schnitt A-A		SECTION B-B Schnitt B-B		WIRE CRIMP Drablatform	SECTION A-A Schnitt A-A		SECTION B-B Schnitt B-B		APPLICATION TOOL Anschlag-Wkz	HAND TOOL Handzeuge	EXTRACTION TOOL Ausdrückwerkzeug No.: 968107-1	A	B	C	D	E
					E	G	H	K		D	Dp	R	E								
928810-3	A	928810-4	CuSn4	vorversilbert min 1µm	FLR	0.5-1.0	E = 3.6 G = 2.8 Dp = 1.7	H = 3.6 K = 3.9 D = 1.8	0.5mm <sup>2</sup> = 1.18 0.75mm <sup>2</sup> = 1.27 1.0mm <sup>2</sup> = 1.36				MDC-Applicator 878181-2	539635-1 mit Matrize 539674-2	3.0	4.0	5.5	18.8	0.4	⚠	
928810-1	A	928810-2	CuSn4	vorversilbert min 1µm	FLR	0.5-1.0	E = 3.6 G = 2.8 Dp = 1.7	H = 3.6 K = 3.9 D = 1.8	0.5mm <sup>2</sup> = 1.18 0.75mm <sup>2</sup> = 1.27 1.0mm <sup>2</sup> = 1.36				MDC-Applicator 878180-2	539635-1 mit Matrize 539674-2	3.3	4.3	5.8	18.8	0.4	⚠	
963884-2	A	963885-2	CuSn4	vorversilbert min 1µm	FLR	>1.0-2.5	E = 3.6 G = 3.8 Dp = 1.8	H = 4.7 K = 4.9 D = 2.6	1.25mm <sup>2</sup> = 1.44 1.5mm <sup>2</sup> = 1.51 2.0mm <sup>2</sup> = 1.64 2.5mm <sup>2</sup> = 1.77	E = 2.8 G = 3.9 Dp = 1.7	H = 3.8 R = 2.3 K = 4.3		MDC-Applicator 878180-2	539635-1 mit Matrize 539674-2	3.3	4.3	5.8	18.8	0.4	⚠	
2-927773-1	P	2-927781-1	CuSn4	vorversilbert min 1µm	FLR	>1.0-2.5	E = 3.6 G = 3.8 Dp = 1.8	H = 5.5 K = 5.8 D = 3.6	1.25mm <sup>2</sup> = 1.44 1.5mm <sup>2</sup> = 1.51 2.0mm <sup>2</sup> = 1.64 2.5mm <sup>2</sup> = 1.77	E = 2.8 G = 3.9 Dp = 1.7	H = 4.2 R = 2.4		MDC-Applicator 878190-2	539635-1 mit Matrize 539674-2	3.3	4.3	5.8	18.8	0.4	⚠	
1-927773-1	P	1-927781-1	CuFe2	vorversilbert min 1µm	FLR	>1.0-2.5	E = 3.6 G = 3.8 Dp = 1.8	H = 5.5 K = 5.8 D = 3.6	1.25mm <sup>2</sup> = 1.44 1.5mm <sup>2</sup> = 1.51 2.0mm <sup>2</sup> = 1.64 2.5mm <sup>2</sup> = 1.77	E = 2.8 G = 3.9 Dp = 1.7	H = 4.2 R = 2.4		MDC-Applicator 878190-2	539635-1 mit Matrize 539674-2	3.3	4.3	5.8	18.8	0.4	⚠	
927773-6	N	927781-6	CuSn4	vorversilbert min 1µm	FLR	>1.0-2.5	E = 3.6 G = 3.8 Dp = 1.8	H = 4.7 K = 4.9 D = 2.6	1.25mm <sup>2</sup> = 1.44 1.5mm <sup>2</sup> = 1.51 2.0mm <sup>2</sup> = 1.64 2.5mm <sup>2</sup> = 1.77	E = 2.8 G = 3.9 Dp = 1.7	H = 3.8 R = 2.3 K = 4.3		MDC-Applicator 878180-2	539635-1 mit Matrize 539674-2	3.3	4.3	5.8	18.8	0.4	⚠	
927773-3	N	927781-3	CuSn4	vorversilbert min 1µm	FLR	>1.0-2.5	E = 3.6 G = 3.8 Dp = 1.8	H = 4.7 K = 4.9 D = 2.6	1.25mm <sup>2</sup> = 1.44 1.5mm <sup>2</sup> = 1.51 2.0mm <sup>2</sup> = 1.64 2.5mm <sup>2</sup> = 1.77	E = 2.8 G = 3.9 Dp = 1.7	H = 3.8 R = 2.3 K = 4.3		MDC-Applicator 878180-2	539635-1 mit Matrize 539674-2	3.3	4.3	5.8	18.8	0.4	⚠	
2-927768-1	R	2-927777-1	CuSn4	vorversilbert min 1µm	FLR	>1.0-2.5	E = 3.6 G = 3.8 Dp = 1.8	H = 4.7 K = 4.9 D = 2.6	1.25mm <sup>2</sup> = 1.44 1.5mm <sup>2</sup> = 1.51 2.0mm <sup>2</sup> = 1.64 2.5mm <sup>2</sup> = 1.77	E = 2.8 G = 3.9 Dp = 1.7	H = 3.8 R = 2.3 K = 4.3		MDC-Applicator 878180-2	539635-1 mit Matrize 539674-2	3.3	4.3	5.8	18.8	0.4	⚠	
1-927768-1	R	1-927777-1	CuFe2	vorversilbert min 1µm	FLR	>1.0-2.5	E = 3.6 G = 3.8 Dp = 1.8	H = 4.7 K = 4.9 D = 2.6	1.25mm <sup>2</sup> = 1.44 1.5mm <sup>2</sup> = 1.51 2.0mm <sup>2</sup> = 1.64 2.5mm <sup>2</sup> = 1.77	E = 2.8 G = 3.9 Dp = 1.7	H = 3.8 R = 2.3 K = 4.3		MDC-Applicator 878180-2	539635-1 mit Matrize 539674-2	3.3	4.3	5.8	18.8	0.4	⚠	
927768-9	P	927777-9	CuSn4	vorversilbert min 1µm	FLR	>1.0-2.5	E = 3.6 G = 3.8 Dp = 1.8	H = 4.7 K = 4.9 D = 2.6	1.25mm <sup>2</sup> = 1.44 1.5mm <sup>2</sup> = 1.51 2.0mm <sup>2</sup> = 1.64 2.5mm <sup>2</sup> = 1.77	E = 2.8 G = 3.9 Dp = 1.7	H = 3.8 R = 2.3 K = 4.3		MDC-Applicator 878180-2	539635-1 mit Matrize 539674-2	3.3	4.3	5.8	18.8	0.4	⚠	
927768-6	P	927777-6	CuSn4	vorversilbert min 1µm	FLR	>1.0-2.5	E = 3.6 G = 3.8 Dp = 1.8	H = 4.7 K = 4.9 D = 2.6	1.25mm <sup>2</sup> = 1.44 1.5mm <sup>2</sup> = 1.51 2.0mm <sup>2</sup> = 1.64 2.5mm <sup>2</sup> = 1.77	E = 2.8 G = 3.9 Dp = 1.7	H = 3.8 R = 2.3 K = 4.3		MDC-Applicator 878180-2	539635-1 mit Matrize 539674-2	3.3	4.3	5.8	18.8	0.4	⚠	
927768-3	P	927777-3	CuFe2	vorversilbert min 1µm	FLR	>1.0-2.5	E = 3.6 G = 3.8 Dp = 1.8	H = 4.7 K = 4.9 D = 2.6	1.25mm <sup>2</sup> = 1.44 1.5mm <sup>2</sup> = 1.51 2.0mm <sup>2</sup> = 1.64 2.5mm <sup>2</sup> = 1.77	E = 2.8 G = 3.9 Dp = 1.7	H = 3.8 R = 2.3 K = 4.3		MDC-Applicator 878180-2	539635-1 mit Matrize 539674-2	3.3	4.3	5.8	18.8	0.4	⚠	
927768-1	P	927777-1	CuFe2	vorversilbert min 1µm	FLR	>1.0-2.5	E = 3.6 G = 3.8 Dp = 1.8	H = 4.7 K = 4.9 D = 2.6	1.25mm <sup>2</sup> = 1.44 1.5mm <sup>2</sup> = 1.51 2.0mm <sup>2</sup> = 1.64 2.5mm <sup>2</sup> = 1.77	E = 2.8 G = 3.9 Dp = 1.7	H = 3.8 R = 2.3 K = 4.3		MDC-Applicator 878180-2	539635-1 mit Matrize 539674-2	3.3	4.3	5.8	18.8	0.4	⚠	
2-927771-2	N	2-927779-2	CuSn4	vorversilbert min 1µm	FLR	0.5-1.0	E = 2.6 G = 2.8 Dp = 1.1	H = 3.6 K = 3.9 D = 1.8	0.5mm <sup>2</sup> = 1.18 0.75mm <sup>2</sup> = 1.27 1.0mm <sup>2</sup> = 1.36	E = 2.2 G = 2.6 Dp = 1.2	H = 2.8 K = 3.4 R = 1.6		MDC-Applicator 878181-2	539635-1 mit Matrize 539674-2	3	4	5.5	18.8	0.4	⚠	
2-927771-1	N	2-927779-1	CuSn4	vorversilbert min 1µm	FLR	0.5-1.0	E = 2.6 G = 2.8 Dp = 1.1	H = 3.6 K = 3.9 D = 1.8	0.5mm <sup>2</sup> = 1.18 0.75mm <sup>2</sup> = 1.27 1.0mm <sup>2</sup> = 1.36	E = 2.2 G = 2.6 Dp = 1.2	H = 2.8 K = 3.4 R = 1.6		MDC-Applicator 878181-2	539635-1 mit Matrize 539674-2	3	4	5.5	18.8	0.4	⚠	
1-927771-1	N	1-927779-1	CuFe2	vorversilbert min 1µm	FLR	0.5-1.0	E = 2.6 G = 2.8 Dp = 1.1	H = 3.6 K = 3.9 D = 1.8	0.5mm <sup>2</sup> = 1.18 0.75mm <sup>2</sup> = 1.27 1.0mm <sup>2</sup> = 1.36	E = 2.2 G = 2.6 Dp = 1.2	H = 2.8 K = 3.4 R = 1.6		MDC-Applicator 878181-2	539635-1 mit Matrize 539674-2	3	4	5.5	18.8	0.4	⚠	
927771-9	M	927779-9	CuSn4	vorversilbert min 1µm	FLR	0.5-1.0	E = 2.6 G = 2.8 Dp = 1.1	H = 3.6 K = 3.9 D = 1.8	0.5mm <sup>2</sup> = 1.18 0.75mm <sup>2</sup> = 1.27 1.0mm <sup>2</sup> = 1.36	E = 2.2 G = 2.6 Dp = 1.2	H = 2.8 K = 3.4 R = 1.6		MDC-Applicator 878181-2	539635-1 mit Matrize 539674-2	3	4	5.5	18.8	0.4	⚠	
927771-8	N	927779-8	CuSn4	vorversilbert min 1µm	FLR	0.5-1.0	E = 2.6 G = 2.8 Dp = 1.1	H = 3.6 K = 3.9 D = 1.8	0.5mm <sup>2</sup> = 1.18 0.75mm <sup>2</sup> = 1.27 1.0mm <sup>2</sup> = 1.36	E = 2.2 G = 2.6 Dp = 1.2	H = 2.8 K = 3.4 R = 1.6		MDC-Applicator 878181-2	539635-1 mit Matrize 539674-2	3	4	5.5	18.8	0.4	⚠	
927771-6	M	927779-6	CuSn4	vorversilbert min 1µm	FLR	0.5-1.0	E = 2.6 G = 2.8 Dp = 1.1	H = 3.6 K = 3.9 D = 1.8	0.5mm <sup>2</sup> = 1.18 0.75mm <sup>2</sup> = 1.27 1.0mm <sup>2</sup> = 1.36	E = 2.2 G = 2.6 Dp = 1.2	H = 2.8 K = 3.4 R = 1.6		MDC-Applicator 878181-2	539635-1 mit Matrize 539674-2	3	4	5.5	18.8	0.4	⚠	
927771-3	M	927779-3	CuFe2	vorversilbert min 1µm	FLR	0.5-1.0	E = 2.6 G = 2.8 Dp = 1.1	H = 3.6 K = 3.9 D = 1.8	0.5mm <sup>2</sup> = 1.18 0.75mm <sup>2</sup> = 1.27 1.0mm <sup>2</sup> = 1.36	E = 2.2 G = 2.6 Dp = 1.2	H = 2.8 K = 3.4 R = 1.6		MDC-Applicator 878181-2	539635-1 mit Matrize 539674-2	3	4	5.5	18.8	0.4	⚠	
2-927774-1	C	2-927776-1	CuSn4	vorversilbert min 1µm	FLR	0.2-0.5	E = 2.1 G = 2.1 Dp = 0.8	H = 2.7 K = 2.8 D = 1.4	0.2mm <sup>2</sup> = 0.98 0.25mm <sup>2</sup> = 1.00 0.35mm <sup>2</sup> = 1.05 0.5mm <sup>2</sup> = 1.12	E = 1.7 G = 2.1 Dp = 0.8	H = 2.2 K = 2.4 R = 1.3		MDC-Applicator 878332-2	539635-1 mit Matrize 539737-2	2.5	3.5	5.6	18.8	0.4	⚠	
1-927774-1	C	1-927776-1	CuFe2	vorversilbert min 1µm	FLR	0.2-0.5	E = 2.1 G = 2.1 Dp = 0.8	H = 2.7 K = 2.8 D = 1.4	0.2mm <sup>2</sup> = 0.98 0.25mm <sup>2</sup> = 1.00 0.35mm <sup>2</sup> = 1.05 0.5mm <sup>2</sup> = 1.12	E = 1.7 G = 2.1 Dp = 0.8	H = 2.2 K = 2.4 R = 1.3		MDC-Applicator 878332-2	539635-1 mit Matrize 539737-2	2.5	3.5	5.6	18.8	0.4	⚠	
927774-8	C	927776-8	CuSn4	vorversilbert min 1µm	FLR	0.2-0.5	E = 2.1 G = 2.1 Dp = 0.8	H = 2.7 K = 2.8 D = 1.4	0.2mm <sup>2</sup> = 0.98 0.25mm <sup>2</sup> = 1.00 0.35mm <sup>2</sup> = 1.05 0.5mm <sup>2</sup> = 1.12	E = 1.7 G = 2.1 Dp = 0.8	H = 2.2 K = 2.4 R = 1.3		MDC-Applicator 878332-2	539635-1 mit Matrize 539737-2	2.5	3.5	5.6	18.8	0.4	⚠	
927774-6	B	927776-6	CuSn4	vorversilbert min 1µm	FLR	0.2-0.5	E = 2.1 G = 2.1 Dp = 0.8	H = 2.7 K = 2.8 D = 1.4	0.2mm <sup>2</sup> = 0.98 0.25mm <sup>2</sup> = 1.00 0.35mm <sup>2</sup> = 1.05 0.5mm <sup>2</sup> = 1.12	E = 1.7 G = 2.1 Dp = 0.8	H = 2.2 K = 2.4 R = 1.3		MDC-Applicator 878332-2	539635-1 mit Matrize 539737-2	2.5	3.5	5.6	18.8	0.4	⚠	
927774-3	B	927776-3	CuFe2	vorversilbert min 1µm	FLR	0.2-0.5	E = 2.1 G = 2.1 Dp = 0.8	H = 2.7 K = 2.8 D = 1.4	0.2mm <sup>2</sup> = 0.98 0.25mm <sup>2</sup> = 1.00 0.35mm <sup>2</sup> = 1.05 0.5mm <sup>2</sup> = 1.12	E = 1.7 G = 2.1 Dp = 0.8	H = 2.2 K = 2.4 R = 1.3		MDC-Applicator 878332-2	539635-1 mit Matrize 539737-2	2.5	3.5	5.6	18.8	0.4	⚠	
927774-1	B	927776-1	CuFe2	vorversilbert min 1µm	FLR	0.2-0.5	E = 2.1 G = 2.1 Dp = 0.8	H = 2.7 K = 2.8 D = 1.4	0.2mm <sup>2</sup> = 0.98 0.25mm <sup>2</sup> = 1.00 0.35mm <sup>2</sup> = 1.05 0.5mm <sup>2</sup> = 1.12	E = 1.7 G = 2.1 Dp = 0.8	H = 2.2 K = 2.4 R = 1.3		MDC-Applicator 878332-2	539635-1 mit Matrize 539737-2	2.5	3.5	5.6	18.8	0.4	⚠	
2-963708-1	C	2-963777-1	CuSn4	vorversilbert min 1µm	FLR	0.08-0.2	E = 1.7 G = 1.7 Dp = 0.6	H = 3.1 K = 3.2 D = 1.6	0.08mm <sup>2</sup> = 0.79 0.14mm <sup>2</sup> = 0.83 0.22mm <sup>2</sup> = 0.87	E = 1.5 G = 1.8 Dp = 0.6			MDC-Applicator 878599-2	734414-1	2.5	3.7	5.9	18.8	0.4	⚠	
1-963708-1	C	1-963777-1	CuFe2	vorversilbert min 1µm	FLR	0.08-0.2	E = 1.7 G = 1.7 Dp = 0.6	H = 3.1 K = 3.2 D = 1.6	0.08mm <sup>2</sup> = 0.79 0.14mm <sup>2</sup> = 0.83 0.22mm <sup>2</sup> = 0.87	E = 1.5 G = 1.8 Dp = 0.6			MDC-Applicator 878599-2	734414-1	2.5	3.7	5.9	18.8	0.4	⚠	
963708-6	B	963777-6	CuSn4	vorversilbert min 1µm	FLR	0.08-0.2	E = 1.7 G = 1.7 Dp = 0.6	H = 3.1 K = 3.2 D = 1.6	0.08mm <sup>2</sup> = 0.79 0.14mm <sup>2</sup> = 0.83 0.22mm <sup>2</sup> = 0.87	E = 1.5 G = 1.8 Dp = 0.6			MDC-Applicator 878599-2	734414-1	2.5	3.7	5.9	18.8	0.4	⚠	
963708-3	B	963777-3	CuSn4	vorversilbert min 1µm	FLR	0.08-0.2	E = 1.7 G = 1.7 Dp = 0.6	H = 3.1 K = 3.2 D = 1.													

