

5

4

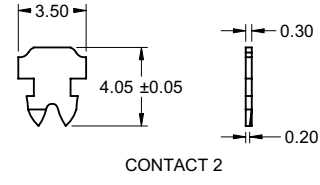
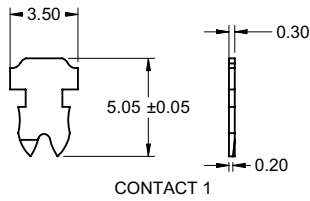
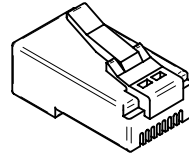
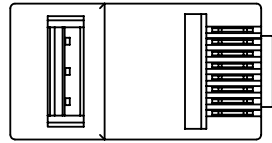
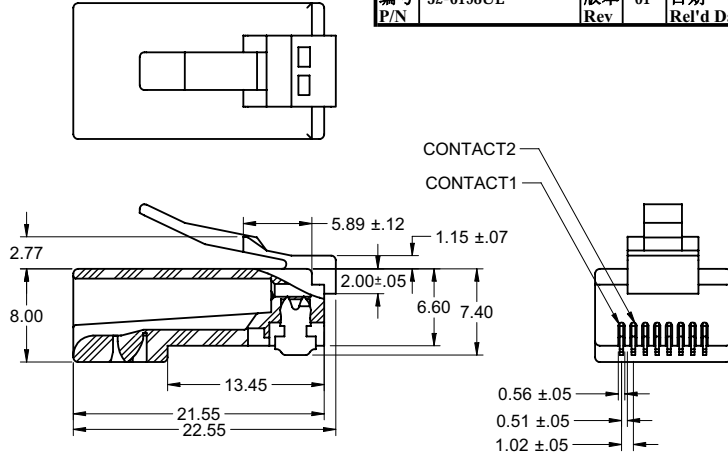
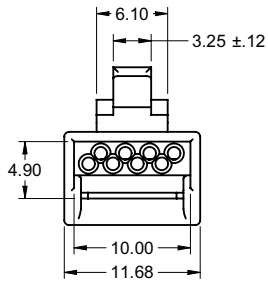
3

2

1

受控 CONTROLLED DOCUMENT					
编号 P/N	32-6198UL	版本 Rev	01	日期 Rel'd Date	May8,09

DRAWING NO. 32-6198UL	
REVISIONS	
01	OFFICIAL RELEASE
04-01-09	T W F Thomas Chew 300935.04 TC8501 +0800



NOTES:

1. ELECTRICAL SPECIFICATIONS

INSULATION RESISTANCE: 1000 MEGOHMS
WITHSTAND VOLTAGE: 1000V_{AC}/MINUTE

2. MECHANICAL SPECIFICATIONS

CONTACT MATERIAL: PHOSPHOR BRONZE 0.3MM THICKNESS
CONTACT PLATING: 50 MICRO-INCH GOLD PLATE OVER 100
MICRO-INCH NICKEL PLATING

HOUSING MATERIAL: POLYCARBONATE
DURABILITY: 1000 CYCLES MIN
UL FLAMABILITY RATING: 94-V0

3. ENVIRONMENTAL SPECIFICATIONS

TEMPERATURE RANGE: -40 °C TO +70 °C

THIS DRAWING TO BE INTERPRETED
PER ANSI Y 14.5M - 1994

COMPANY CONFIDENTIAL

TOLERANCE UNLESS OTHERWISE SPECIFIED		DRAWN BY	DATE
DECIMALS	mm	TERRY.W	04-01-09
X	± 0.5	CHECKED BY	DATE
X.X	+ 0.15	Ivon.Wang	04-01-09
X.XX	± 0.10	APPROVED BY	DATE
ANGLES	± 0.5°	THOMAS	04-01-09
		U/M:	mm

EMERSON Network Power		Connectivity Solutions	
TITLE CAT6 RJ45 WITH LOAD BAR,UL			
SHEET 1 OF 1	DRAWING NO. 32-6198UL	SIZE	

THIS DRAWING WAS PRODUCED BY COMPUTER,
DO NOT SCALE DRAWING OR UPDATE MANUALLY.

5

4

3

2

1