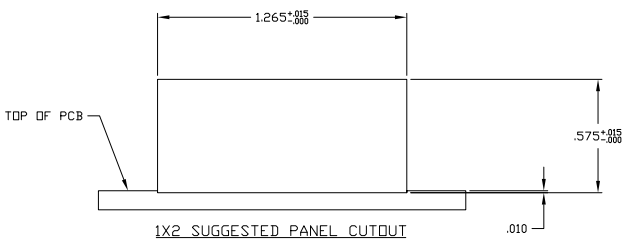
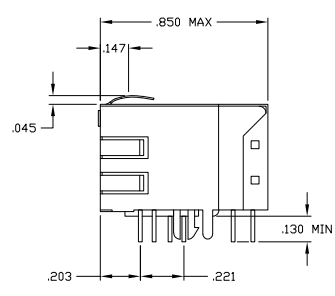
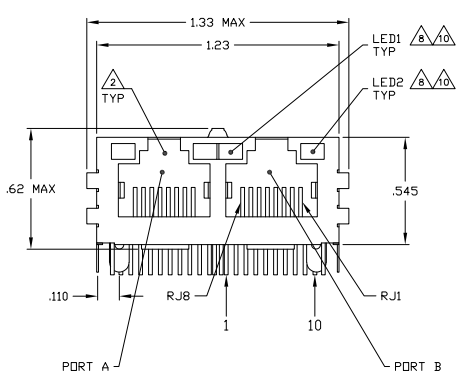
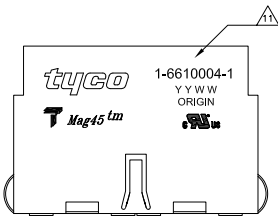


REV	DATE	DESCRIPTION	BY	CHK	APP
AA	22				
A		REV PER EC 0513-0650-04			

MECHANICAL:



- △ MATERIALS:
 - HOUSING - THERMOPLASTIC PET POLYESTER FLAMMABILITY RATING UL 94V-0
 - SHIELD - .010" THICK, C26800 BRASS PREPLATED WITH 30μINCH MIN SEMI-BRIGHT NICKEL
 - SOLDER TABS POST DIPPED WITH 100μINCH MIN SAC SOLDER
 - MOD JACK CONTACTS - 0.0157 X 0.018" PHOSPHOR BRONZE, 50μINCH MIN OVERALL NICKEL UNDERPLATE WITH SELECT 50μINCH MIN HARD GOLD FINISH PLATE. SOLDER TAILS WITH 100μINCH MIN MATTE TIN AND/OR SAC SOLDER DIP.
 - LIGHT EMITTING DIODE(LED) - DIFFUSED EPOXY LENS, .020" X .020" CARBON STEEL
 - WIREFRAME LEADS PRE-PLATED WITH 80μINCH SILVER OVER 4.0μINCH NICKEL UNDERPLATE OVER 40μINCH COPPER UNDERPLATE. POST-PLATED WITH 100μINCH MIN MATTE TIN AND/OR SAC SOLDER DIP OR PURE TIN SOLDER DIP.
- △ RJ45 JACK CAVITY CONFORMS TO FCC RULES AND REGULATIONS PART 68, SUB PART F.
- △ MAGNETICS
 - APPLICATION: 10/100/1000 BASE-T
 - IMPEDANCE: 100 OHMS
 - TURNS RATIO (CHIP CABLE): 11 ALL FOUR PAIRS
 - OPEN CIRCUIT INDUCTANCE (OCIL): 350nH MIN @100MHz, 0.1VRMS, 8mA DC BIAS FROM 0°C TO 70°C, ALL FOUR PAIRS
 - ALL FOUR PAIRS BI-DIRECTIONAL
 - PERFORMANCE @ 25°C
 - INSERTION LOSS (IL): 1.1dB MAX FROM 0.5MHz TO 100MHz
 - RETURN LOSS (RL): 18dB MIN FROM 0.5MHz TO 100MHz
 - CROSSTALK ATTENUATION: 35dB MIN FROM 0.5MHz TO 40MHz
 - 33-20LOG(f)/50dB MIN FROM 4.0 MHz TO 100MHz
 - COMMON MODE REJECTION RATIO (CMRR): 30dB MIN FROM 0.5MHz TO 100MHz
 - ISOLATION VOLTAGE: COMPLIES WITH IEEE802.3 2002, PARA 40.6.11, ITEM a or b.
- △ C1 = 1000 pF, 2kV DECOUPLING CAPACITOR.
- △ 5 OPERATING TEMPERATURE: FROM 0°C TO +70°C.
- △ R1-R4 = 75 OHMS, 5%, 1/16 W RESISTORS.
- △ C2-C5 = 0.1μF, 50V CAPACITORS.
- △ LED COMPLIANT WITH IEC60825-1 SAFETY OF LASER PRODUCTS. WHEN OPERATED UP TO 20 mA. THE 250 OHM RESISTOR IS INCLUDED.
- △ INDICATED MAGNETIC CONNECTIONS ARE SYMMETRICAL AND SUPPORT AUTO-MDI/MDOX.
- △ LED PEAK WAVELENGTH: GREEN(L) = 565nm
YELLOW(L) = 585nm
- △ TRADEMARK, PART NUMBER, DATE CODE, COUNTRY OF ORIGIN AND AGENCY APPROVAL MARKING IN APPROXIMATE LOCATION SHOWN.

GREEN	GREEN	1-6610004-1
GREEN/YELLOW	GREEN	6610004-4
LED1	LED2	PART NUMBER

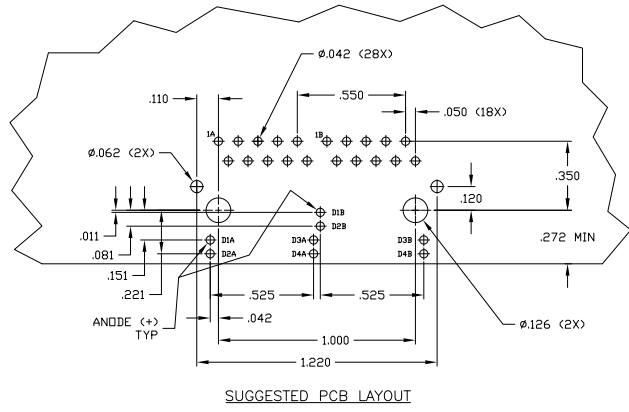
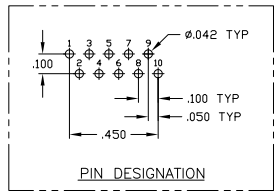
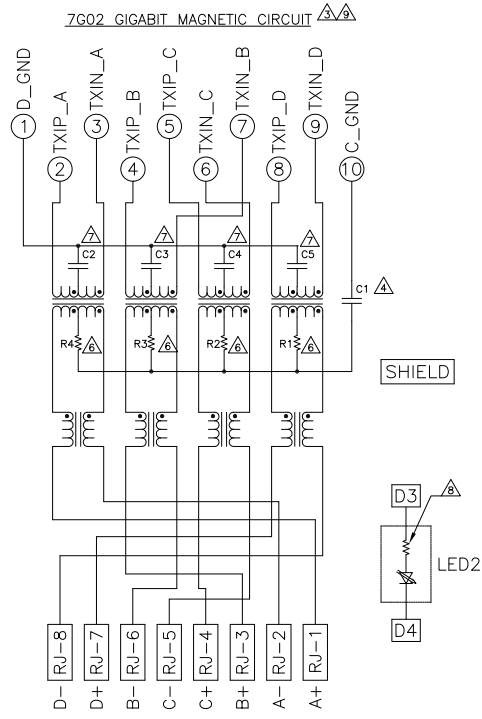
THIS DRAWING IS A CONTROLLED DOCUMENT

REV	DATE	DESCRIPTION	BY	CHK	APP
1					

1X2 MAG45(M) MODULAR JACK, SHIELDED, 702 (10 PIN HORIZONTAL FOOTPRINT) SCHEMATIC, 7022 GIGABIT MAGNETIC CIRCUIT, WITH LEADS

CUSTOMER DRAWING: 100779 (G=6610004)

ELECTRICAL:



THIS DRAWING IS A CONTROLLED DOCUMENT		REV: AA	DATE: 22	DESCRIPTION: SEE SHEET 1
DRAWING NO: 108-2100		CUSTOMER DRAWING		
PART NO: 7G02		REV: 4.1		
REV: 2		REV: A		