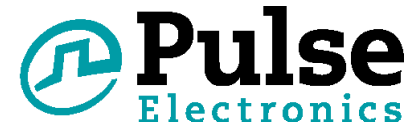


PulseJack™ RJ45/Dual USB Combo



Description:

RJ45/Dual USB Combo is a Through Hole (THT) Integrated Connector Module with a single RJ45 in combination with 2USB ports. The internal magnetics are designed to support 10/100/1000Base-TX applications such as LAN-on-Motherboard (LOM) and PC applications.



Features and Benefits:

- RoHS peak wave solder temperature rating 260°C
- USB module complies with USB 2.0 standards
- RJ45 connection meets CAT3, 5e, & 6 Fast Ethernet performance standard

Electrical Performance Summary:

- Meets IEEE 802.3 specification
- High performance for maximum EMI suppression
- Minimum 1500Vrms isolation per IEEE 802.3 requirement

Electrical Specifications @ 25°C — Operating Temperature 0°C to +70°C

RoHS Compliant Part Number	Data Rate	Turns Ratios		LEDs L/R	Insertion Loss TX/RX (dB MAX)	Return Loss @ 100Ω ±15Ω (dB TYP)				Cross talk (dB MIN)			Common Mode Rejection (dB TYP)		Hipot (Vrms) (MIN)
		TX	RX			1-65 MHz	1-10 MHz	30 MHz	60-80 MHz	1-10 MHz	32-60 MHz	60-100 MHz	1-50 MHz	50-130 MHz	
JW0-0009NL	10/100	1CT:1	1CT:1	G/Y ²	-1.0	-20	-16	-12	-40	-35	-30	-30	-20	1500	
JY0-0016NL	10/100	1CT:1	1CT:1	G-O/Y	-1.0	-20	-16	-12	-40	-35	-30	-30	-20	1500	
JW0-0006NL	10/100/1000	1CT:1	1CT:1	G/G-Y	-1.0	-20	-16	-12	-40	-35	-30	-30	-20	1500	
JW0-0013NL	10/100/1000	1CT:1	1CT:1	G-O/Y	-1.0	-20	-16	-12	-40	-35	-30	-30	-20	1500	

Notes:

- LEDs Left/Right: G = green; Y = yellow; O = Orange
- G = Green with 250Ω internal resistor; Y = Yellow with 250Ω internal resistor

RJ45 Durability Testing Rating

Part Number	Mating Force (MAX)	Unmating Force (MAX)	Durability	Plug to Jack Retention (MIN)
JW/JY Series	5lbs./2.268kgs.	5lbs./2.268kgs.	500 Insertions	20lbs./9.072kgs.

RJ45 Material Specification

Part Number	Shield		Contact			Housing		MSL ² Rating
	Material	Finish	Material	Plating Area	Solder Area ³	Material	Specification	
JW/JY Series	Brass	20-40μinches thick nickel over brass	Phosphor Bronze	15μ inches gold over 30-80μ inches nickel	75-300μinches tin-lead over 75-300μinches bright nickel	Thermoplastic	UL 94 V-0	1

NOTES: 1. Connector dimensions comply with FCC dimension requirements. 2. MSL = Moisture Sensitivity Level 3. NL parts are tin matte finish over nickel.

USA 858 674 8100

Germany 49 7032 7806 0

Singapore 65 6287 8998

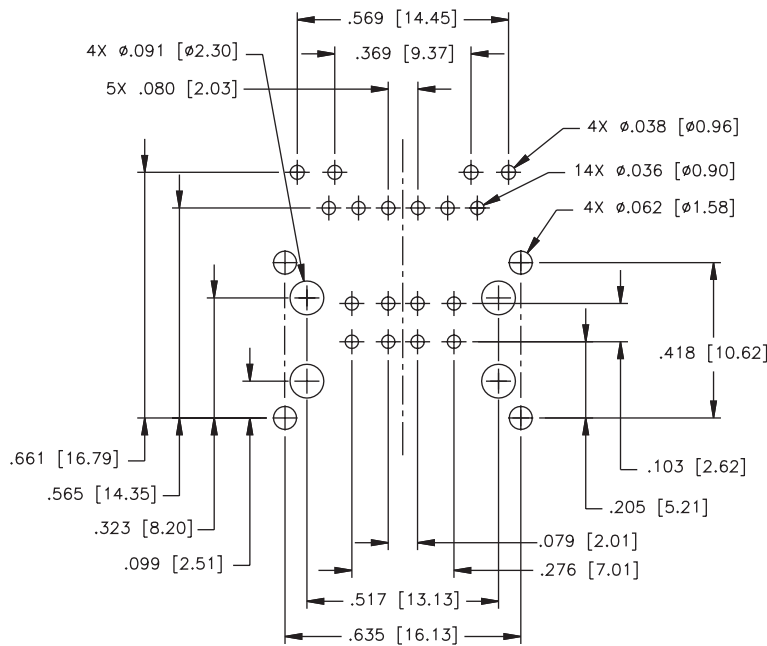
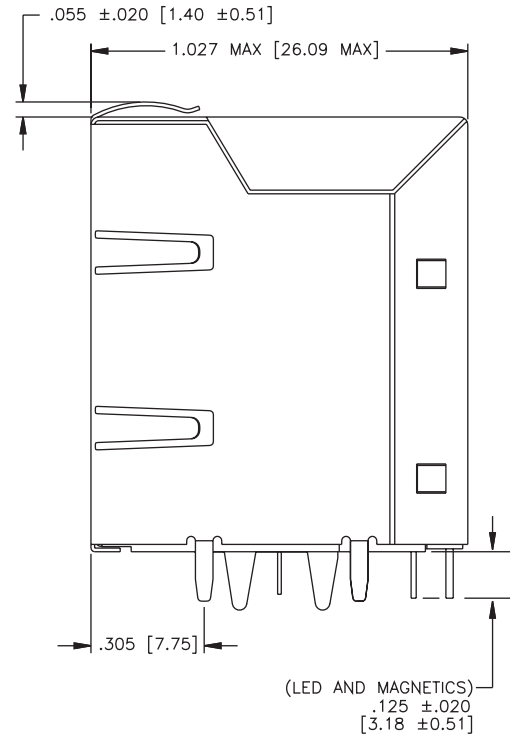
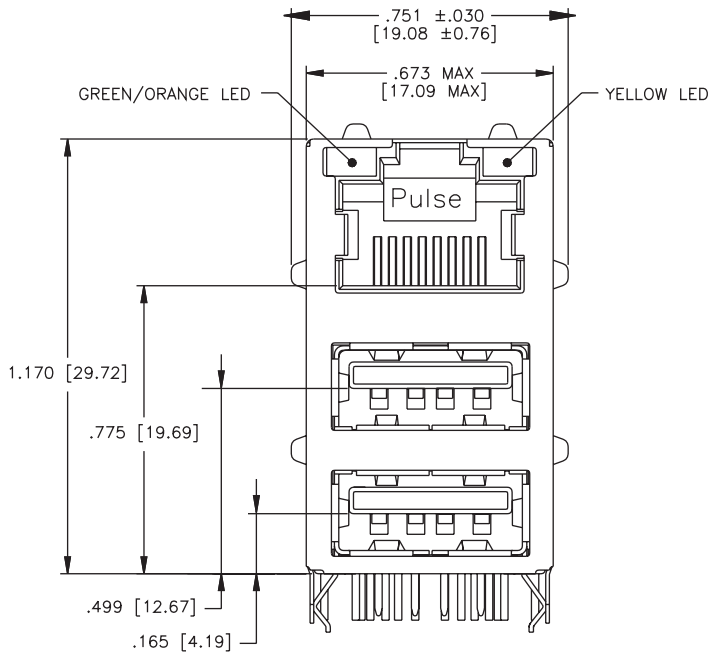
Shanghai 86 21 62787060

China 86 755 33966678

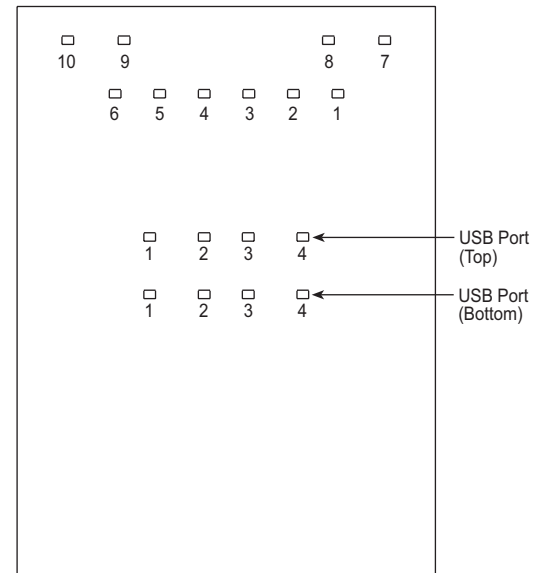
Taiwan 886 3 4356768

Mechanical

JY0-0016NL



SUGGESTED FOOTPRINT (SHOWN FROM COMPONENT SIDE)
DIMENSIONAL TOLERANCE: INCHES [METRIC]
.XXX ±.003 [X.XX ±0.08]

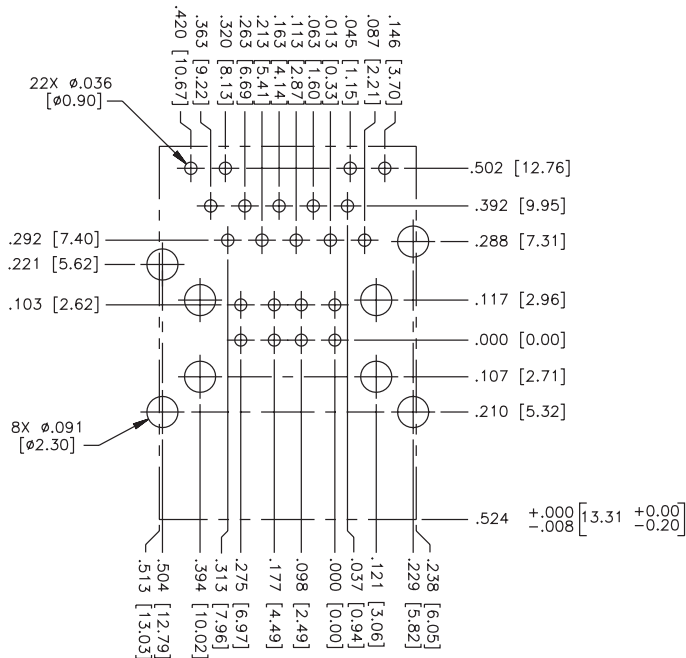
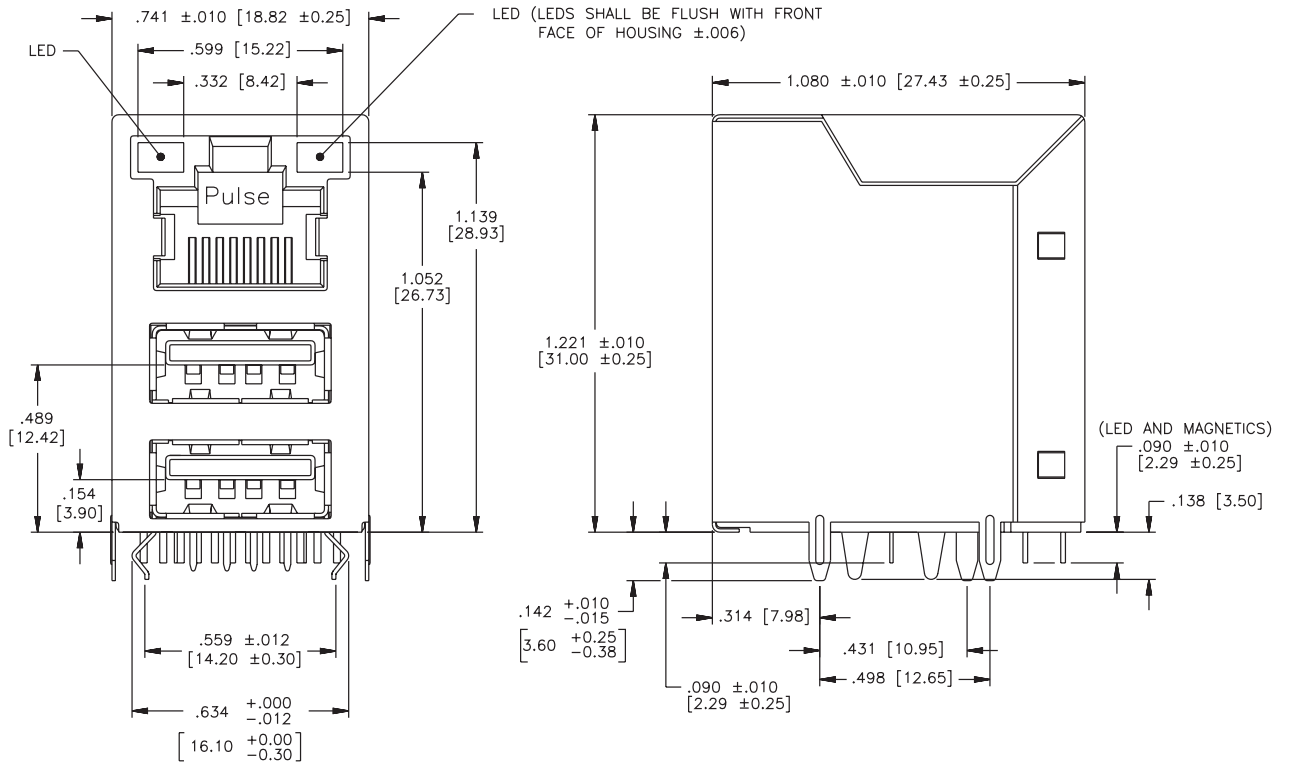


PIN CONFIGURATION (SHOWN FROM COMPONENT SIDE)

Weight 8.1 grams
Tray 25/tray

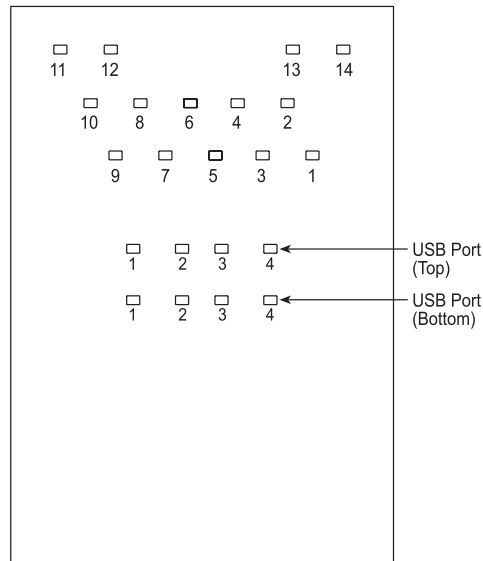
Mechanical

JW0-0006NL, JW0-0009NL



SUGGESTED FOOTPRINT (SHOWN FROM COMPONENT SIDE)

DIMENSIONAL TOLERANCE: INCHES [METRIC]
.XXX ±.003 [X.XX ±0.08]



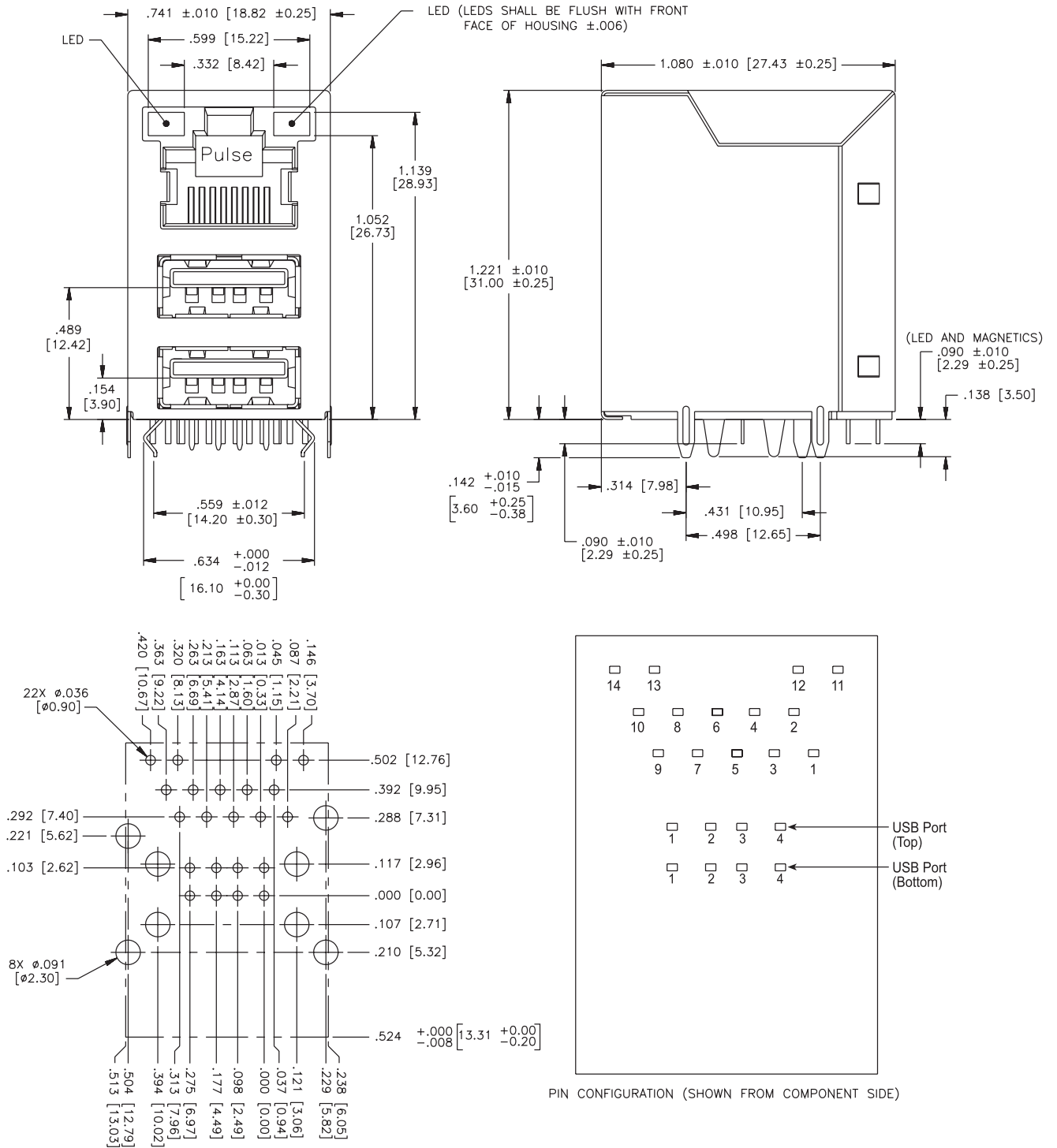
PIN CONFIGURATION (SHOWN FROM COMPONENT SIDE)

Weight 8.1 grams

Tray 25/tray

Mechanical

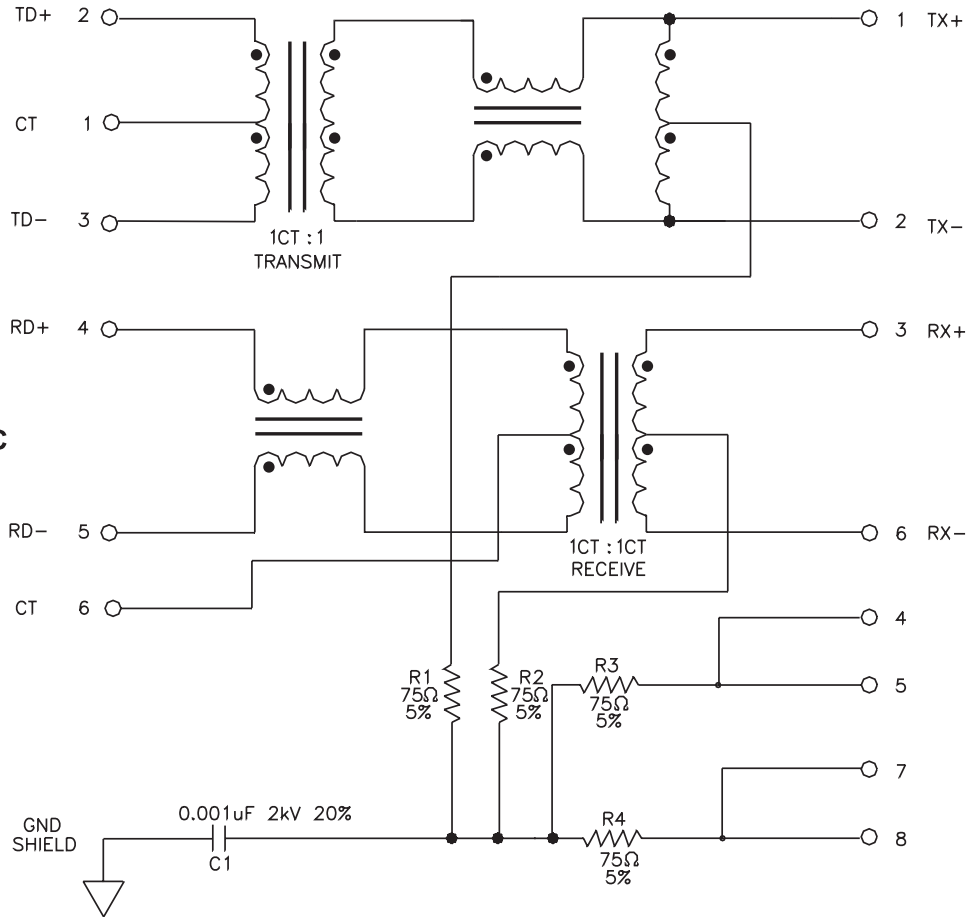
JWO-0013NL



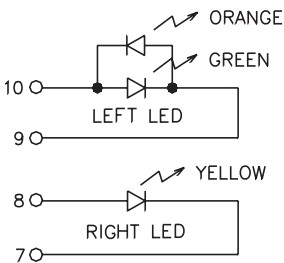
Schematic

JY0-0016NL

PCB connections to
the Physical Layer IC



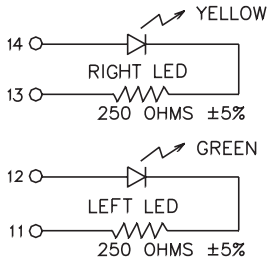
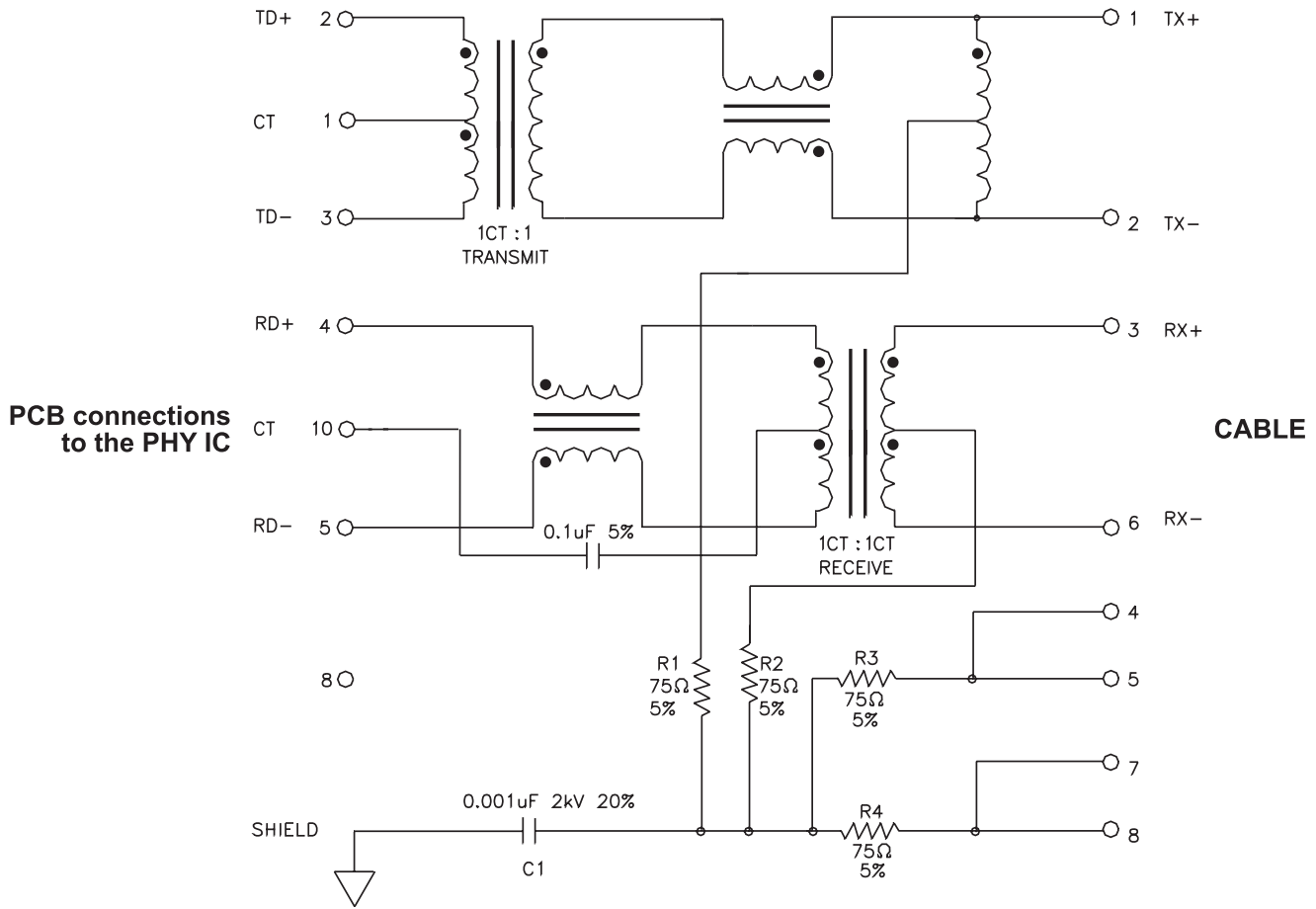
CABLE



STANDARD LED	WAVE * LENGTH	V(MAX)	I _F @5V	
			(TYP)	(MAX)
YELLOW	585 nm	5 V	10 mA	15 mA
GREEN/ORANGE	568/610 nm	5 V	10 mA	15 mA

Schematic

JW0-0009NL

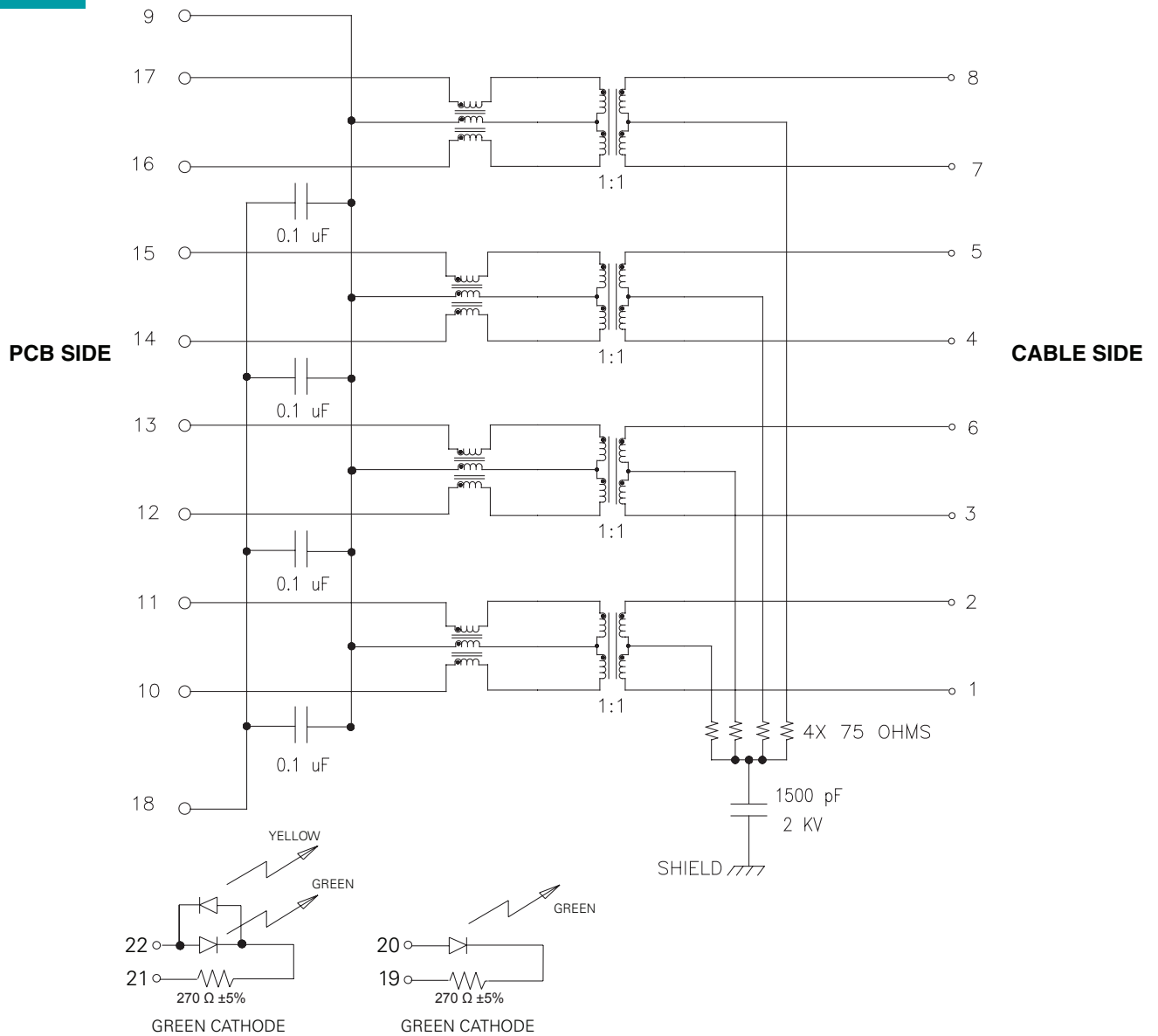


STANDARD LED	WAVE LENGTH*	V(MAX)	I _F @5V (TYP) (MAX)	
YELLOW	585 nm	5 V	10 mA	15 mA
GREEN	565 nm	5 V	10 mA	15 mA

Downloaded from Elcodis.com electronic components distributor

Schematic

JW0-0006NL

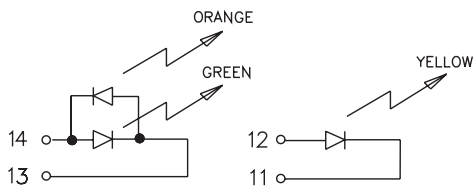
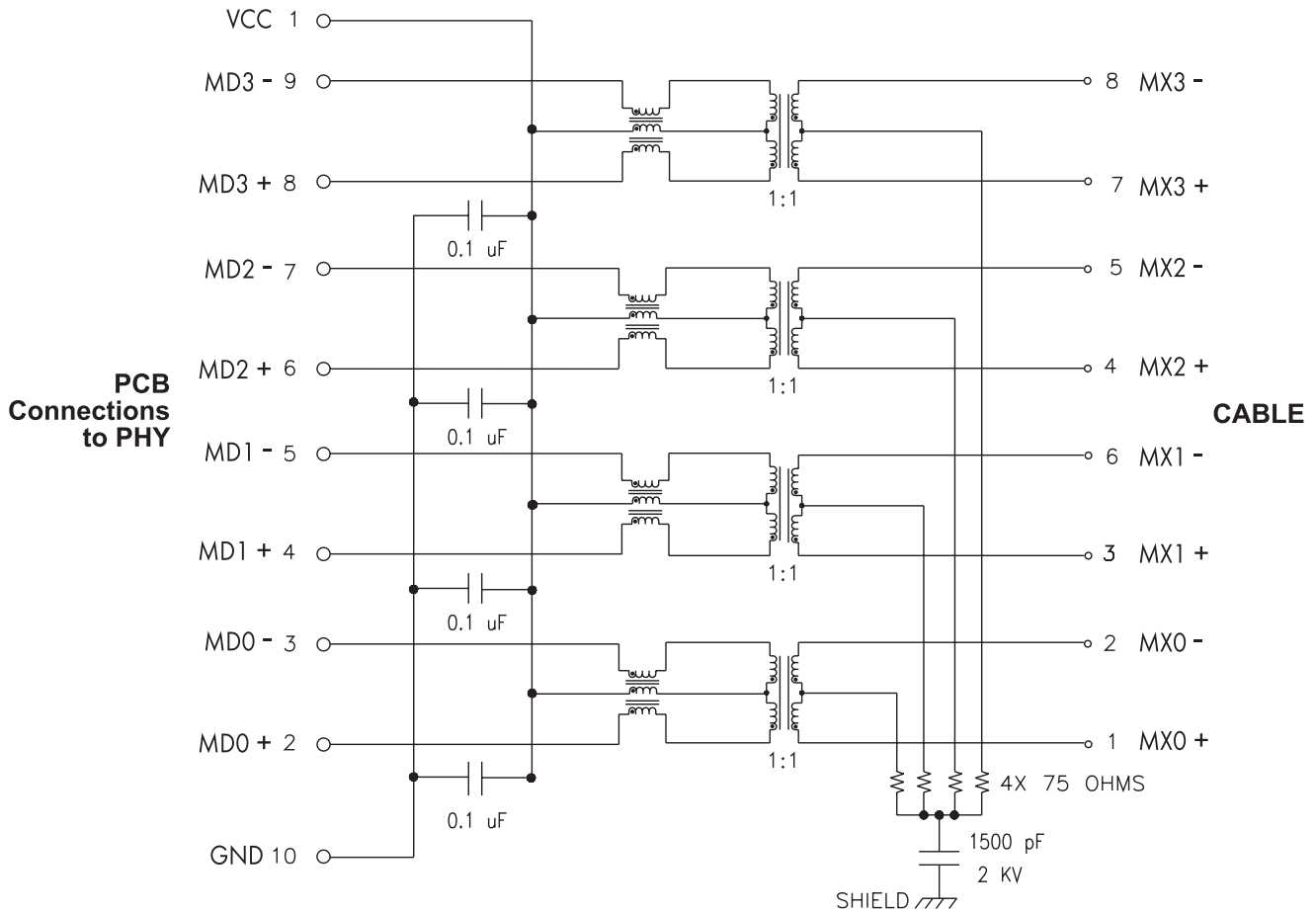


JW0-0006 NL LEDs

STANDARD LED	WAVE LENGTH*	V(MAX)	I _F @5V	
			(TYP)	(MAX)
GREEN/YELLOW	568/590 nm	5 V	10 mA	15 mA
GREEN	565 nm	5 V	10 mA	15 mA
YELLOW	585 nm	5 V	10 mA	15 mA
GREEN/ORANGE	568/610 nm	5 V	10 mA	15 mA

Schematic

JW0-0013NL



JW0-0013NL LEDs

STANDARD LED	WAVE * LENGTH	V(MAX)	I _F @5V	
			(TYP)	(MAX)
GREEN/YELLOW	568/590 nm	5 V	10 mA	15 mA
GREEN	565 nm	5 V	10 mA	15 mA
YELLOW	585 nm	5 V	10 mA	15 mA
GREEN/ORANGE	568/610 nm	5 V	10 mA	15 mA

PulseJack™

RJ45/Dual USB Combo

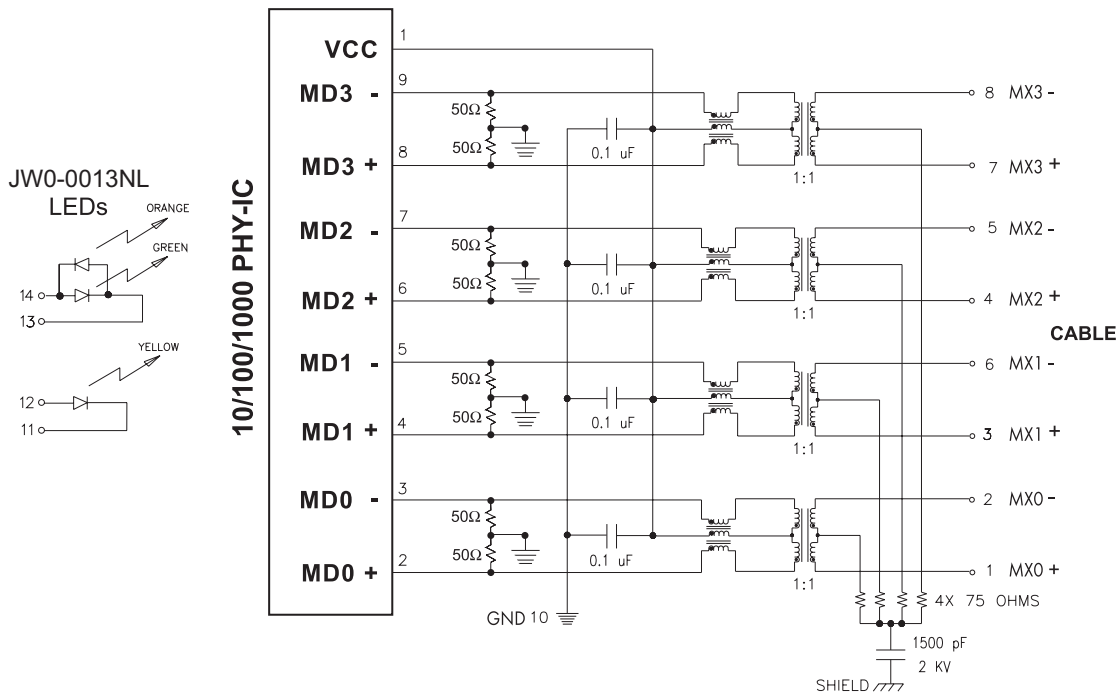
USB/RJ45 Application Note

This line of Integrated Connector Modules are specifically designed for the implementation of a 10Base-T, 100Base-TX and 1000Base-TX transmission over data-grade unshielded twisted pair cable (UTP-3, 5/5e).

The connectors provide excellent EMI filtering and are suitable for Desktop PC, Embedded Systems and Multiport Applications. Pulse has worked closely with the leading IC manufacturers in

providing these 10/100/1000 solutions, thereby assuring compatibility with each transceiver.

JW0 and JY0 series meet the stringent open circuit inductance requirements of IEEE. When an 8mA DC current is applied across the transformer windings, the transformer will provide at least 350µH. The transformers used in each module also provide 1500Vrms minimum isolation, wide bandwidth with minimal attenuation and fast rise times to minimise system level jitter.



PCB Layout Recommendations:

- For maximum EMI suppression (electromagnetic interference) place the decoupling capacitors adjacent to Vcc and 50W connections.
- Connections to ground should be as short as possible.
- Connections between the 10/100/1000 IC and the connector should be direct (ideally no change in direction) and of minimum length.

For More Information

Pulse Worldwide Headquarters
12220 World Trade Drive
San Diego, CA
92128
U.S.A.

Tel: 858 674 8100

Pulse Europe
Einsteinstrasse 1
D-71083 Herrenberg
Germany

Tel: 49 7032 7806

Pulse China Headquarters
B402, Shenzhen Academy of
Aerospace Technol-
ogy Bldg.
10th Kejinan Road
High-Tech Zone
Nanshan District
Shenzhen, PR China
518057

Pulse North China
Room 2704/2705
Super Ocean Finance
Ctr.
2067 Yan An Road
West
Shanghai 200336
China

Pulse South Asia
135 Joo Seng Road
#03-02
PM Industrial Bldg.
Singapore 368363

Tel: 65 6287 8998
Fax: 65 6287 8998

Pulse North Asia
3F, No. 198
Zhongyuan Road
Zhongli City
Taoyuan County 320
Taiwan R. O. C.
Tel: 886 3 4356768
Fax: 886 3 4356823
(Pulse)

Performance warranty of products offered on this data sheet is limited to the parameters specified. Data is subject to change without notice. Other brand and product names mentioned herein may be trademarks or registered trademarks of their respective owners. © Copyright, 2011. Pulse Electronics, Inc. All rights reserved.