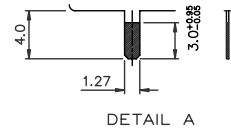
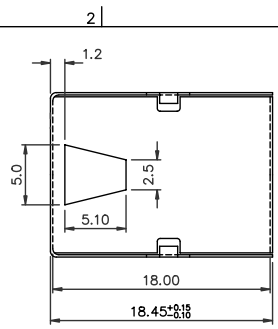
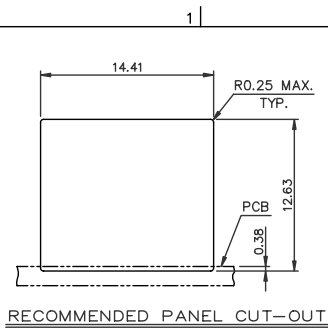
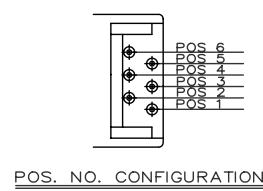
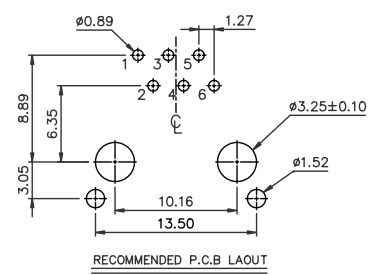
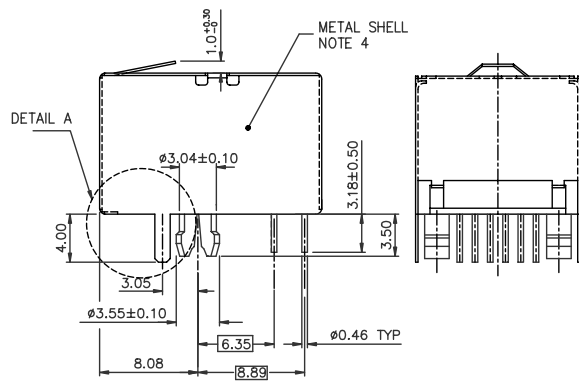
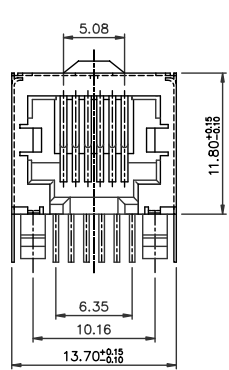


Tous droits strictement réservés. Reproduction ou communication à des tiers sans autorisation écrite du propriétaire.
 All rights strictly reserved. Reproduction or communication to third parties without written authority from the proprietor.
 Copyright BERG ELECTRONICS S.A.
 Droits de reproduction BERG ELECTRONICS by

All rights strictly reserved. Reproduction or communication to third parties without written authority from the proprietor.
 Copyright BERG ELECTRONICS S.A.
 Droits de reproduction BERG ELECTRONICS by



- NOTES:
1. RECOMMENDED P.C.B. THICKNESS 1.60 MM
 2. HOUSING MAT'L: NYLON 66, 25% GLASS REINFORCED, COLOR: SEE TABLE
 3. CONTACTS: PHOS BRONZE ALLOY UNS-C51000, Ø 0.460 ROUND WIRE, PLATING SEE TABLE.
 4. METAL SHELL MATERIAL: COPPER ALLOY, 0.20MM THICK. FINISH: FOR 74543-XXXX TIN-LEAD 100u" THICK FOR 74543-XXXXLF PURE TIN 80u" THICK FOR 74543-XXXXNLF 1.27µm/50µ" MINIMUM NICKEL PLATING WITH TIN DIPPED BY MANUAL ON THE SOLDER TAIL. SEE THE DETAIL A
 5. PACKAGING PER GS-14-361, USING TUBE
 6. IF LF P/N THE PRODUCT MEETS EUROPEAN UNION DIRECTIVES AND OTHER COUNTRY REGULATIONS AS DESCRIBED IN GS-22-008
 7. IF LF P/N THE HOUSING WILL WITHSTAND EXPOSURE TO 260°C PEAK TEMPERATURE FOR 10 SECONDS IN A WAVE SOLDER APPLICATION WITH A 1.60mm MINIMUM THICK CIRCUIT BOARD
 8. IF LF P/N PACKAGING MEETS GS-14-920 SPECIFICATION



PRODUCT NO	NUMBER OF POS.	LOADED POSITION	HSG COLOR	PLATING
74543-3661	6	ALL POS.	BLACK	30 v" AU
74543-5661		ALL POS.		50 v" AU
74543-0641		2,3,4,5		30 v" G.X.T.
74543-0661		ALL POS.		30 v" G.X.T.
74543-0661LF		ALL POS.		30 v" G.X.T.
74543-3661LF		ALL POS.		30 v" AU
74543-5661LF		ALL POS.		50 v" AU
74543-0641LF		2,3,4,5		30 v" G.X.T.
74543-3661NLF		ALL POS.		30 " AU
74543-5661NLF		ALL POS.		50 " AU
74543-0641NLF		2,3,4,5		30 v" G.X.T.

mat'l code		tolerance unless otherwise specified		CUSTOMER COPY		 www.fciconnect.com	
rev.	ecn no.	dr	date	linear	.0 ± 0.25	projection	title
A	T80057	new	02/11/98		.00 ± 0.13		LOW PROFILE PCB III 6 POS
B	T80510	W	11/18/98		.000 ± 0.05		MOD JACK, FULLY SHIELDED
C	T03-2443	W	10/06/03	angles	± 2°		
D	N04-0125	YS	12/15/04	dr	CATHY LIN 01/16/98	unit	product family MOD JACK
E	N0-0305	WG	12/12/06	enrg	TONY CHIEN 01/16/98	mm/inch	code TWN
F	N07-0215	WG	09/07/07	chr	TONY CHIEN 01/16/98	scale	size dwg no.
G	N08-0052	SH	03/25/08	appd	JENN TSAO 01/16/98	3 : 1	A3 74543
sheet	revisor	F					sheet 1 OF 1
index	sheet	1					