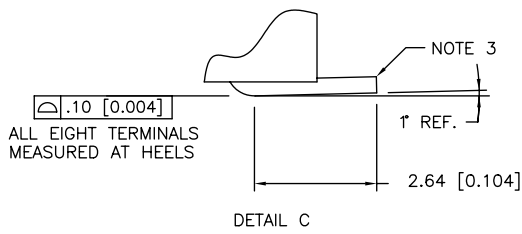
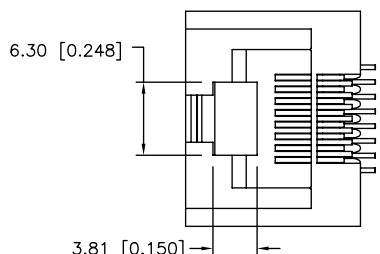


1 | 2

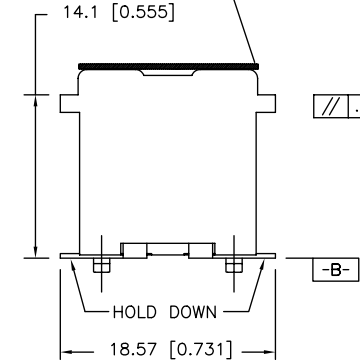
3

4

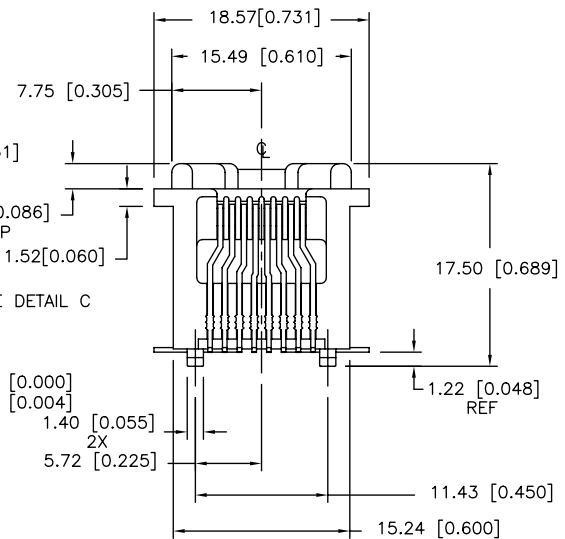
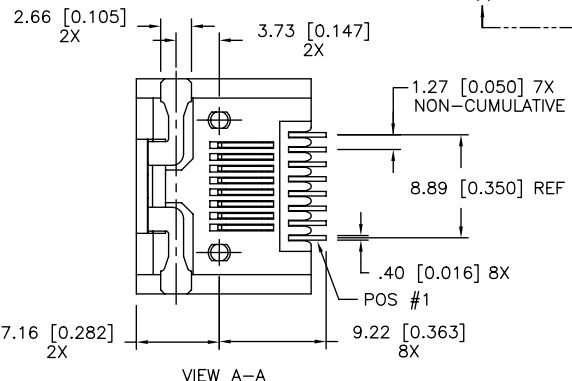
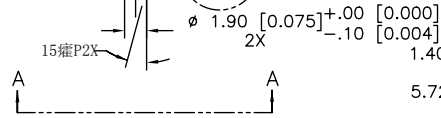
PRODUCT NO.  
SEE TABLE



THE MYLAR SEE NOTE 7 ONLY FOR 87547-XXX1C/XXX1CLF



/// .127 [0.005] B



mat'l. code		tolerances unless otherwise specified		CUSTOMER COPY		FCJ	
ltr	ecn no	dr	date	linear	.XX±.3/.XX±.01	projection	www.fcjconnect.com
S	N08-0194	SH	09/08/08		.XX±.13/.XXX±.005		title
K	V12666	LP	1/10/02		.XXX±.051/.XXX±.0020		A-SMT ASSEMBLY
L	V21834	LP	12/2/02	angles	0° ±2'		VERT 8 POS
M	V04-0861	DAI	08/30/04	dr		MM/INCH	product family MOD JACK
N	N05-0035	YS	02/18/05	enrg	J.KONTOS 12/2/02	scale	size dwg no
P	N05-0142	ZC	6/2/05	chr	J.KONTOS 12/2/02	1:1	code
R	N07-0217	WG	09/07/07	appd	J.KONTOS 12/2/02	A4	213
sheet index	revision sheet	R	R				1 of 2
		1	2				

PDM: Rev:S STATUS: Released cage code 22596 May 15, 2014

ACAD

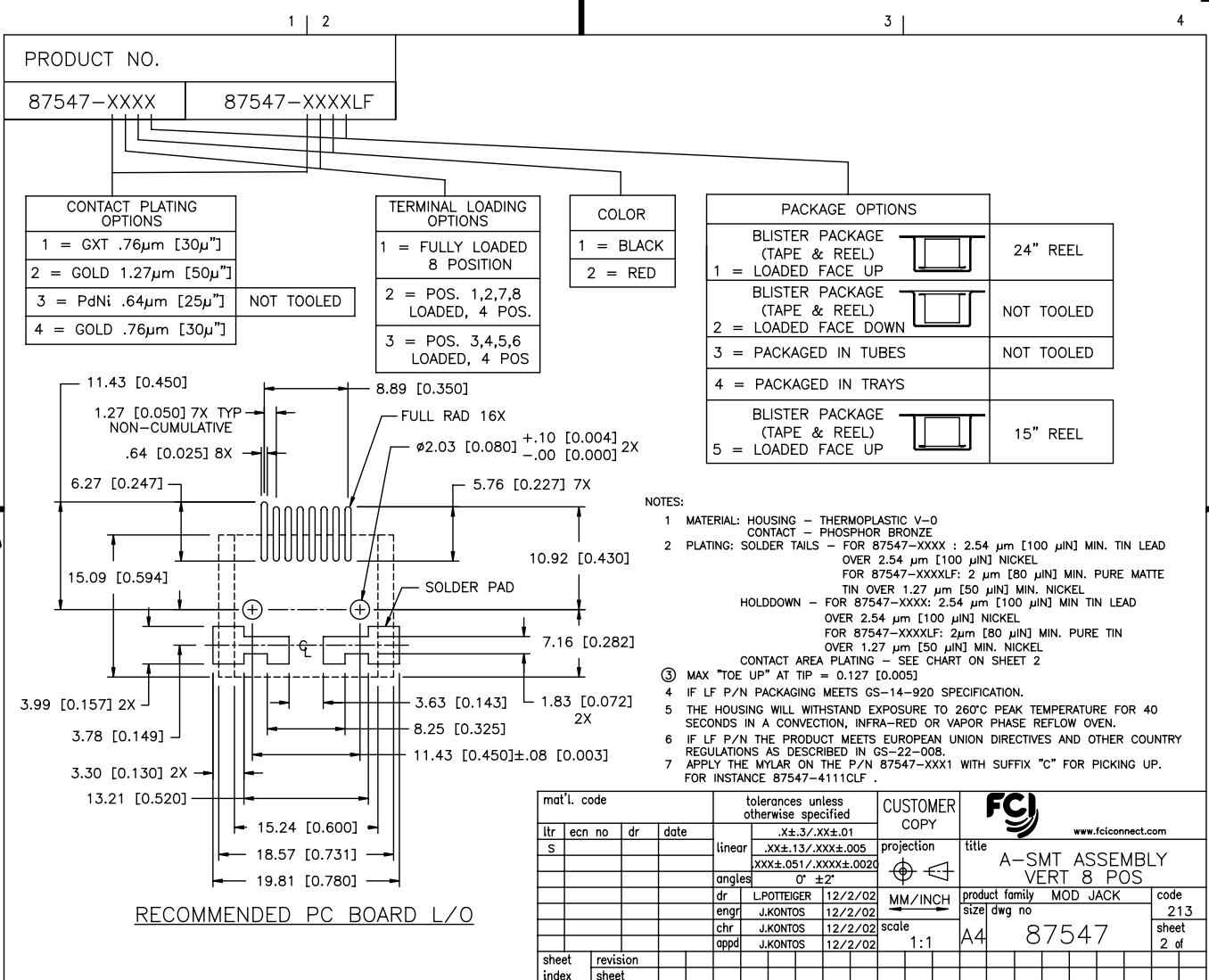
1 | 2

Tous droits strictement reserves. Reproduction ou communication a des tiers interdite sous quelque forme que ce soit sans autorisation ecrite du proprietaire. Property of FCJ. Copyright FCJ. All rights strictly reserved. Reproduction or issue to third parties in any form whatever is not permitted without written authority from the proprietor. Property of FCJ. Copyright FCJ.

Tous droits strictement réservés. Reproduction ou communication à des tiers interdite sous quelque forme que ce soit sans autorisation écrite du propriétaire. Property of FCI. Droits de reproduction FCI.



All rights strictly reserved. Reproduction or issue to third parties in any form whatever is not permitted without written authority from the proprietor. Property of FCI. Copyright FCI.



PRODUCT NO.	
87547-XXXX	87547-XXXXLF

CONTACT PLATING OPTIONS	
1 = GXT .76µm [30µ"]	
2 = GOLD 1.27µm [50µ"]	
3 = PdNi .64µm [25µ"]	NOT TOOLED
4 = GOLD .76µm [30µ"]	

TERMINAL LOADING OPTIONS	
1 = FULLY LOADED 8 POSITION	
2 = POS. 1,2,7,8 LOADED, 4 POS.	
3 = POS. 3,4,5,6 LOADED, 4 POS	

COLOR	
1 = BLACK	
2 = RED	

PACKAGE OPTIONS		
BLISTER PACKAGE (TAPE & REEL)		24" REEL
1 = LOADED FACE UP		
BLISTER PACKAGE (TAPE & REEL)		NOT TOOLED
2 = LOADED FACE DOWN		
3 = PACKAGED IN TUBES		NOT TOOLED
4 = PACKAGED IN TRAYS		
BLISTER PACKAGE (TAPE & REEL)		15" REEL
5 = LOADED FACE UP		

- NOTES:
- MATERIAL: HOUSING - THERMOPLASTIC V-0  
CONTACT - PHOSPHOR BRONZE
  - PLATING: SOLDER TAILS - FOR 87547-XXXX : 2.54 µm [100 µIN] MIN. TIN LEAD OVER 2.54 µm [100 µIN] NICKEL  
FOR 87547-XXXXLF: 2 µm [80 µIN] MIN. PURE TINE TIN OVER 1.27 µm [50 µIN] MIN. NICKEL  
HOLDDOWN - FOR 87547-XXXX: 2.54 µm [100 µIN] MIN TIN LEAD OVER 2.54 µm [100 µIN] NICKEL  
FOR 87547-XXXXLF: 2µm [80 µIN] MIN. PURE TIN OVER 1.27 µm [50 µIN] MIN. NICKEL  
CONTACT AREA PLATING - SEE CHART ON SHEET 2
  - MAX "TOE UP" AT TIP = 0.127 [0.005]
  - IF LF P/N PACKAGING MEETS GS-14-920 SPECIFICATION.
  - THE HOUSING WILL WITHSTAND EXPOSURE TO 260°C PEAK TEMPERATURE FOR 40 SECONDS IN A CONVECTION, INFRARED OR VAPOR PHASE REFLOW OVEN.
  - IF LF P/N THE PRODUCT MEETS EUROPEAN UNION DIRECTIVES AND OTHER COUNTRY REGULATIONS AS DESCRIBED IN GS-22-00B.
  - APPLY THE MYLAR ON THE P/N 87547-XXX1 WITH SUFFIX "C" FOR PICKING UP. FOR INSTANCE 87547-4111CLF.

mat'l. code		tolerances unless otherwise specified		CUSTOMER COPY		FCI www.fciconnect.com	
ltr	ecn no	dr	date	linear	.XX±.13/.XXX±.005	projection	title
S				angles	.XXX±.051/.XXX±.002		A-SMT ASSEMBLY VERT 8 POS
				dr	LPOTTEIGER 12/2/02	MM/INCH	product family MOD JACK
				engr	J.KONTOS 12/2/02	scale	size dwg no
				chr	J.KONTOS 12/2/02	1:1	code 213
				appd	J.KONTOS 12/2/02		sheet 2 of
sheet index	revision sheet						

1 | 2

ACAD

PDM: Rev: S

STATUS: Released 2006 Printed: May 15, 2005