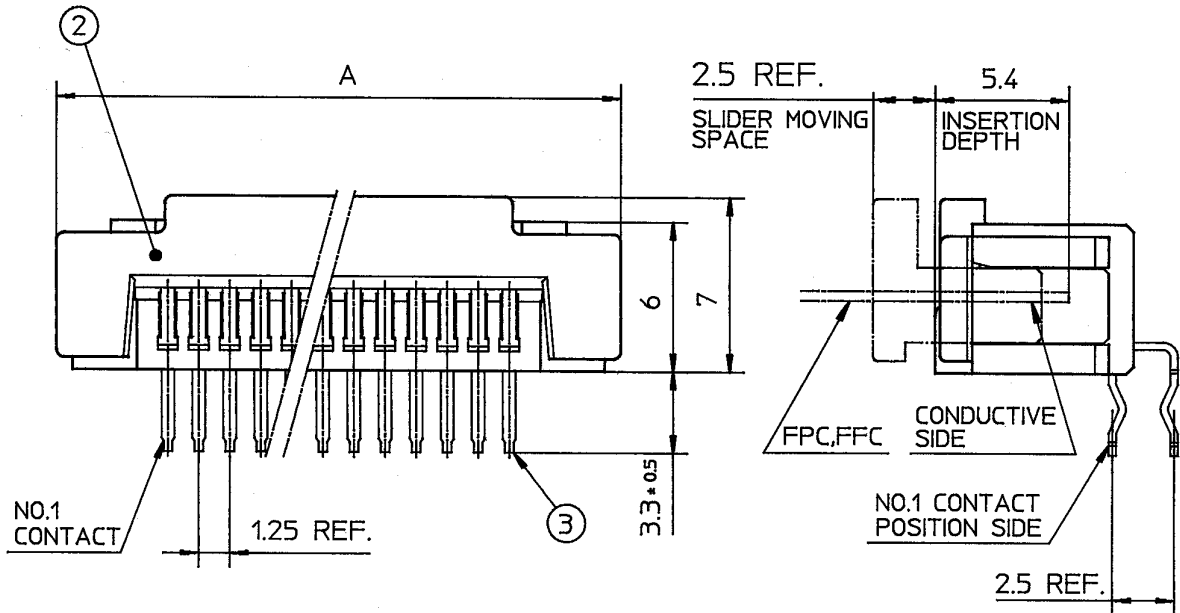
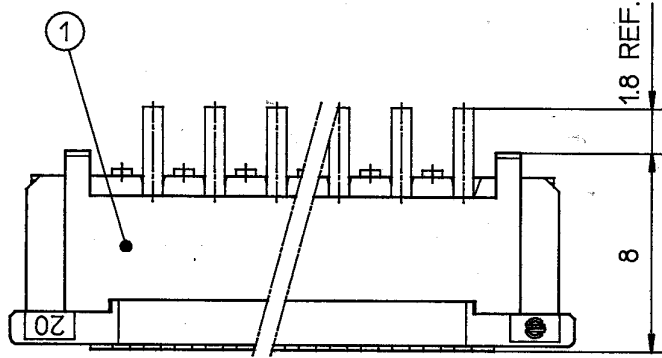


TOLERANCES
UNLESS OTHERWISE SPECIFIED: ±0.3



PT. NO.	PARTS NAME	MATERIAL	Q'TY	NOTE
1	HOUSING	PBT RESIN GLASS REINFORCED (UL94V-0)	1	COLOR: BLACK
2	SLIDER		1	
3	CONTACT	PHOSPHOR BRONZE	n	PLATING: TIN ALLOY

n : NO. OF CONTACTS

			SCALE	∞	ZIFLOK	
			DIM. IN	mm	CAT. NO.	
1	'93 2-18	SHAPE CHANGED	DESIGNED	<i>S.O.</i>	SLD __ R - 1	
REV. DATE	DESCRIPTION	CKD.	DRAWN	<i>M. Osa</i>	DRAWING NO.	REV.
MATERIAL			CHECKED		JSA 91821	1
			APPROVED	<i>S. Ota</i>		
			DATE	Nov. 17. 1992		

DWGA-12
9108

SC-SLDO1 JSA91820

FILE