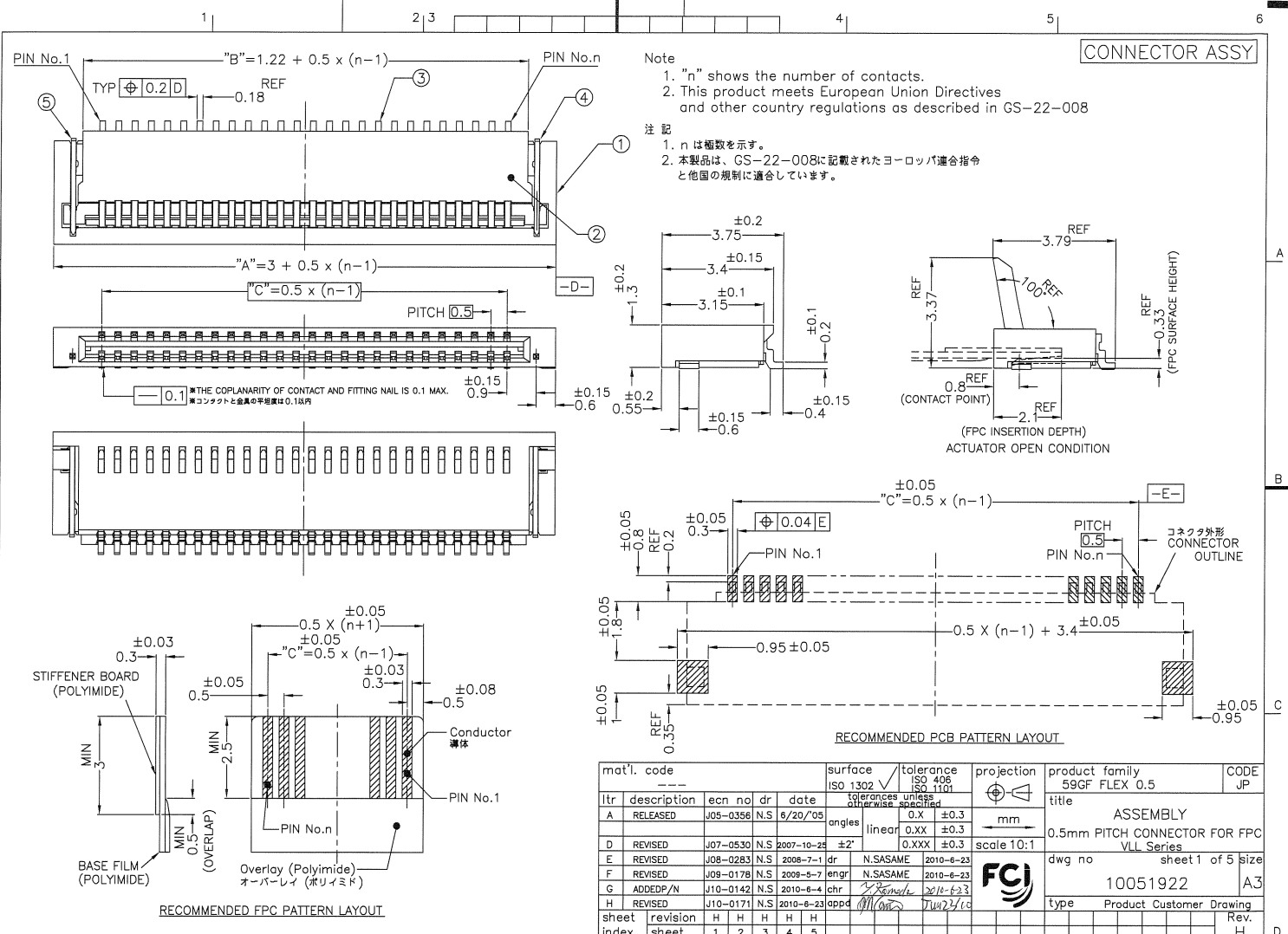


CONNECTOR ASSY

Note
 1. "n" shows the number of contacts.
 2. This product meets European Union Directives and other country regulations as described in GS-22-008

注記
 1. n は極数を示す。
 2. 本製品は、GS-22-008に記載されたヨーロッパ指令と他国の規制に適合しています。



mat'l. code		surface		tolerance		projection		product family		CODE		
---		ISO 1302		ISO 406		mm		59GF FLEX 0.5		JP		
ltr	description	ecn no	dr	date	tolerances unless otherwise specified	linear	0.X ±0.3	mm	title			
A	RELEASED	J05-0356	N.S	6/20/05	±2'	0.XXX ±0.3	scale 10:1	ASSEMBLY				
D	REVISED	J07-0530	N.S	2007-10-25	±2'	0.XXX ±0.3	scale 10:1	0.5mm PITCH CONNECTOR FOR FPC				
E	REVISED	J08-0283	N.S	2008-7-1	engr	N.SASAME	2010-6-23	VLL Series				
F	REVISED	J09-0178	N.S	2009-5-7	chr	N.SASAME	2010-6-23	sheet 1 of 5 size				
G	ADDED/P/N	J10-0142	N.S	2010-6-4	chr	N.SASAME	2010-6-23	dwg no				
H	REVISED	J10-0171	N.S	2010-6-23	apbd	N.SASAME	2010-6-23	10051922				
sheet index	revision sheet	H	H	H	H	H	H	type		Product	Customer	Drawing
		1	2	3	4	5						Rev.
												H

CONNECTOR ASSY

<P/N composition> <P/N構成>
10051922-24 1 LF

- Lead free 鉛フリー
- Contact point plating variation (1: Au plating) 接点鍍膜のバリエーション(1:金めっき)
- The number of contacts 極数
- Series name シリーズ名

PARTS TABLE 部品表

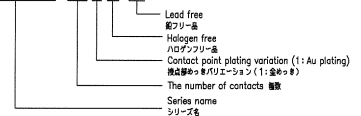
No.	Part name 部品名	Material 材質	Finish めっき	Note 備考
①	Housing ハウジング	Enter glass fiber LCP resin ガラス繊維入り LCP 樹脂	---	色: 黒色, ULS4V-0 Color: Natural, ULS4V-0
②	Actuator アクチュエーター	Enter glass fiber STPA resin ガラス繊維入り ポリイミド樹脂	---	色: 黒, ULS4V-0 Color: Black, ULS4V-0
③	Contact コンタクト	Copper alloy 銅合金	Au plating (Nickel underplating) 金めっき(ニッケル下地めっき)	ニッケル下地あり With Ni dam on the contact
④	Fitting nail (right side) 挿着金具(右側)	Copper alloy 銅合金	Tin alloy plating (Nickel underplating) スズ合金めっき(ニッケル下地めっき)	---
⑤	Fitting nail (left side) 挿着金具(左側)	Copper alloy 銅合金	Tin alloy plating (Nickel underplating) スズ合金めっき(ニッケル下地めっき)	---

Au	14.5	15.72	17.5	1	1	30	1	1	10051922-301LF
	13.5	14.72	16.5	1	1	28	1	1	10051922-281LF
12.5	13.72	15.5	1	1	26	1	1	10051922-261LF	
11.5	12.72	14.5	1	1	24	1	1	10051922-241LF	
10.5	11.72	13.5	1	1	22	1	1	10051922-221LF	
9.5	10.72	12.5	1	1	20	1	1	10051922-201LF	
9	10.22	12	1	1	19	1	1	10051922-191LF	
8.5	9.72	11.5	1	1	18	1	1	10051922-181LF	
7.5	8.72	10.5	1	1	16	1	1	10051922-161LF	
7	8.22	10	1	1	15	1	1	10051922-151LF	
6.5	7.72	9.5	1	1	14	1	1	10051922-141LF	
5.5	6.72	8.5	1	1	12	1	1	10051922-121LF	
5	6.22	8	1	1	11	1	1	10051922-111LF	
4.5	5.72	7.5	1	1	10	1	1	10051922-101LF	
3.5	4.72	6.5	1	1	8	1	1	10051922-081LF	

CONTACT PLATING	DIM "C"	DIM "B"	DIM "A"	⑤ FITTING NAIL(L) QTY	④ FITTING NAIL(R) QTY	③ CONTACT QTY	② ACTUATOR QTY	① HOUSING QTY	PRODUCT NO.
mat'l. code	---			surface	ISO 1302	tolerance	ISO 406	projection	product family
tr	description	ecn no	dr	date	tolerances unless otherwise specified		ISO 1101	mm	59GF FLEX 0.5
A	RELEASED	J05-0356	N.S	6/20/05	angles	linear	0.XX ±0.3	→	ASSEMBLY
					±2°	0.XXX ±0.3	0.3XX ±0.3	scale 10:1	0.5mm PITCH CONNECTOR FOR FPC VLL Series
E	REVISED	J08-0283	N.S	2008-7-1	dr	N.SASAME	2010-6-23		sheet 2 of 5 size
F	REVISED	J08-0178	N.S	2008-5-7	enrg	N.SASAME	2010-6-23		10051922
G	ADDEDP/N	J10-0142	N.S	2010-6-4	chr	N.SASAME	2010-6-23		A3
H	REVISED	J10-0171	N.S	2010-6-23	appd	N.SASAME	2010-6-23		type Product Customer Drawing
sheet index	revision sheet								Rev.

CONNECTOR ASSY
 HALOGEN FREE

<P/N composition> <P/N 構成>
 10051922-24 1 H LF



PARTS TABLE 部品表

No.	Part name	Material	Finish	Note
①	Housing ハウジング	Enter glass fiber LCP resin ガラス繊維入り LCP 樹脂	—	色: 無白色, UL94V-0 Color: Natural, UL94V-0
②	Actuator アクチュエーター	Enter glass fiber LCP resin ガラス繊維入り LCP 樹脂	—	色: 無白色, UL94V-0 Color: Natural, UL94V-0
③	Contact コンタクト	Copper alloy 銅合金	Au plating (Nickel underplating) 金めっき (ニッケル下地めっき)	ニッケル下地めっき With Ni dam on the contact
④	Fitting nail (Right side) 挿込金 (右側)	Copper alloy 銅合金	Tin alloy plating (Nickel underplating) スズ合金めっき (ニッケル下地めっき)	—
⑤	Fitting nail (Left side) 挿込金 (左側)	Copper alloy 銅合金	Tin alloy plating (Nickel underplating) スズ合金めっき (ニッケル下地めっき)	—

CONTACT PLATING	DIM "c"		DIM "b"		DIM "a"		⑤ FITTING NAIL(L) QTY	④ FITTING NAIL(R) QTY	③ CONTACT QTY	② ACTUATOR QTY	① HOUSING QTY	PRODUCT NO.
	Au	14.5	15.72	17.5	1	1	30	1	1	1	1	10051922-301HLF
	13.5	14.72	16.5	1	1	28	1	1	1	1	10051922-281HLF	
	12.5	13.72	15.5	1	1	26	1	1	1	1	10051922-261HLF	
	11.5	12.72	14.5	1	1	24	1	1	1	1	10051922-241HLF	
	10.5	11.72	13.5	1	1	22	1	1	1	1	10051922-221HLF	
	9.5	10.72	12.5	1	1	20	1	1	1	1	10051922-201HLF	
	9	10.22	12	1	1	19	1	1	1	1	10051922-191HLF	
	8.5	9.72	11.5	1	1	18	1	1	1	1	10051922-181HLF	
	7.5	8.72	10.5	1	1	16	1	1	1	1	10051922-161HLF	
	7	8.22	10	1	1	15	1	1	1	1	10051922-151HLF	
	6.5	7.72	9.5	1	1	14	1	1	1	1	10051922-141HLF	
	5.5	6.72	8.5	1	1	12	1	1	1	1	10051922-121HLF	
	5	6.22	8	1	1	11	1	1	1	1	10051922-111HLF	
	4.5	5.72	7.5	1	1	10	1	1	1	1	10051922-101HLF	
	3.5	4.72	6.5	1	1	8	1	1	1	1	10051922-081HLF	

mat'l. code	---	surface	ISO 1302	tolerance	ISO 206	projection	product family	CODE
ltr	description	ecn no	dr	date	ISO 1101	mm	59GF FLEX 0.5	JP
					tolerances unless otherwise specified	scale 10:1	title	
					linear	0.XX ±0.3	ASSEMBLY	
					±2°	0.XXX ±0.3	0.5mm PITCH CONNECTOR FOR FPC	
					dr	0.XXX ±0.3	VLL Series	
					enrg	N.SASAME 2010-6-23	sheet 3 of 5 size	
					chr	N.SASAME 2010-6-23	dwg no	
					appd	N.SASAME 2010-6-23	10051922	
							A3	
							type Product Customer Drawing	
							Rev.	
							H	

PRODUCT NO.	DIM "A"	DIM "B"	DIM "C"	DIM "D"	DIM "E"	CONTACT PLATING	Emboss QTY.	TOOLING AVAILABLE
10051922-081OELF	16	7.5	21.5	8	--	Au	4500	YES
10051922-101OELF								YES
10051922-111OELF								YES
10051922-121OELF								YES
10051922-141OELF								YES
10051922-151OELF	24	11.5	29.5	8	--	Au	4500	YES
10051922-161OELF								YES
10051922-181OELF								YES
10051922-191OELF								YES
10051922-201OELF								YES
10051922-221OELF								YES
10051922-241OELF								YES
10051922-261OELF	32	14.2	37.5	8	28.4	Au	4500	YES
10051922-281OELF								YES
10051922-301OELF								YES

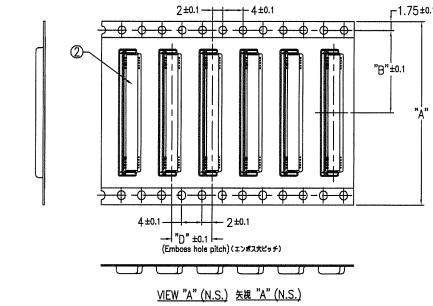
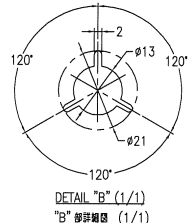
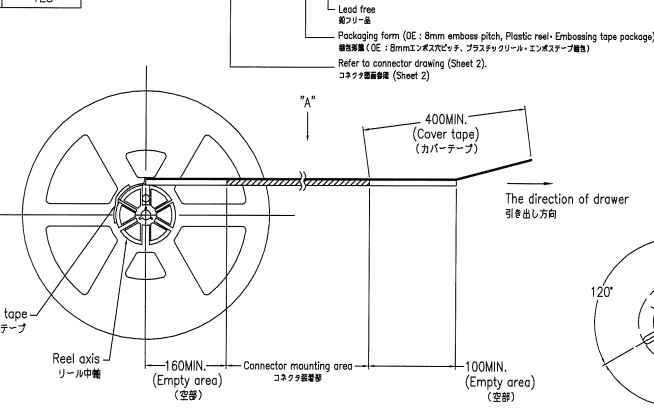
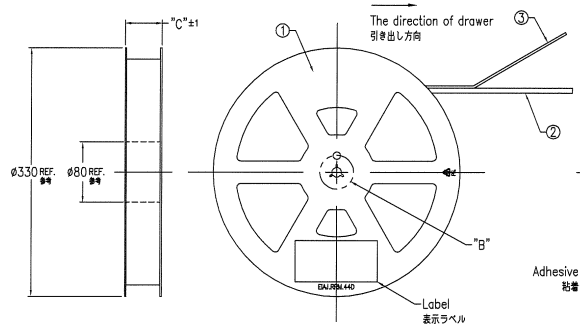
No.	Part name 部品名	Material 材質	QTY.	Notes 備考
①	The reel for packaging 巻取用リール	Polystyrene ポリスチレン	1	Color: White, Electrification prevention processing 色:白、帯電防止処理品
②	Emboss tape エンボステープ	PET	1	Electrification prevention processing 帯電防止処理品
③	Cover tape カバーテープ	Polyester ポリエステル	1	
④	Connector コネクタ	See sheet 1	4500	APPLIED FOR 8mm PITCH EMBOS TAPE

EMBOSS PACKAGE

NOTE
 1. This article carries out the emboss tape package of the 0.5mm pitch connector for FPC.
 2. The shape and dimension of this article are based on JIS C 0806.
 (Taping of electronic parts (Surface mounted device))

注記
 1. 本品は 0.5mm ピッチ FPC 用コネクタをエンボステープ梱包したものである。
 2. 本品の形状及び寸法規定は JIS C 0806 (電子部品のテーピング (表面実装部品)) に準拠する。

<P/N composition> <P/N 構成>
 10051922-16 1 0E LF



mat'l. code	surface	tolerance	projection	product family	CODE
---	ISO 1302	ISO 406	ISO 1101	59GF FLEX 0.5	JP
ltr	description	ecn no	dr	date	tolerances unless otherwise specified
A	RELEASED	J05-0356	N.S	6/20/05	angles ±2°
E	REVISED	J08-0283	N.S	2008-7-1	linear 0.XX ±0.3
F	REVISED	J09-0178	N.S	2009-5-7	0.XXX ±0.3
G	ADDED/P/N	J10-0142	N.S	2010-6-4	scale 10:1
H	REVISED	J10-0171	N.S	2010-6-23	



PDM: Rev:H STATUS Released Printed: Jun 24, 2010

FCJ FCIconnect.com Copyright FCJ

PRODUCT NO.	DIM "A"	DIM "B"	DIM "C"	DIM "D"	DIM "E"	CONTACT PLATING	Emboss QTY.	TOOLING AVAILABLE
10051922-0810EHLF	16	7.5	21.5	8	--	Au	4500	YES
10051922-1010EHLF								YES
10051922-1110EHLF								YES
10051922-1210EHLF								YES
10051922-1410EHLF								YES
10051922-1510EHLF	24	11.5	29.5	8	--	Au	4500	YES
10051922-1610EHLF								YES
10051922-1810EHLF								YES
10051922-1910EHLF								YES
10051922-2010EHLF								YES
10051922-2210EHLF								YES
10051922-2410EHLF								YES
10051922-2610EHLF	32	14.2	37.5	8	28.4	Au	4500	YES
10051922-2810EHLF								YES
10051922-3010EHLF								YES

No.	Part name	Material	QTY.	Note
①	The reel for packaging 巻取り用リール	Polyethylene ポリエチレン	1	Color: White, Electrification prevention processing 色:白、帯電防止処理品
②	Emboss tape エンボステープ	PET	1	Electrification prevention processing 帯電防止処理品
③	Cover tape カバーテープ	Polyester ポリエステル	1	
④	Connector コネクタ	See sheet 1	4500	APPLIED FOR 6mm PITCH EMBOS TAPE

EMBOSS PACKAGE
HALOGEN FREE

NOTE

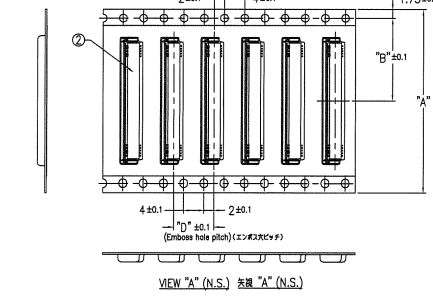
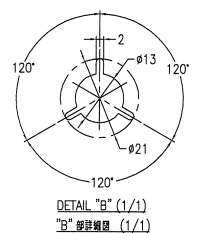
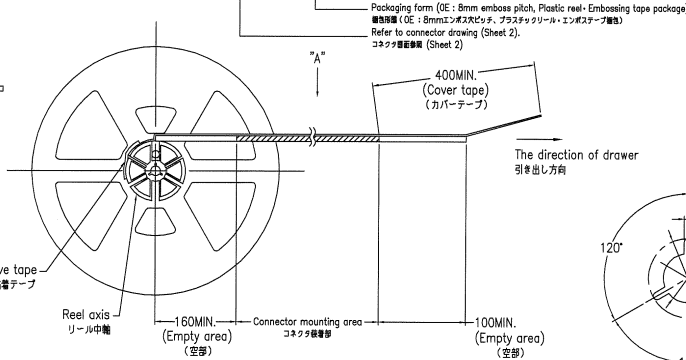
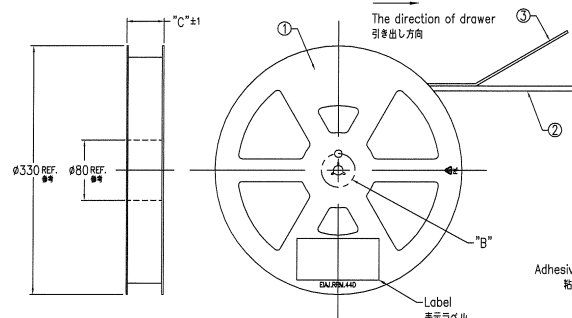
- This article carries out the emboss tape package of the 0.5mm pitch connector for FPC.
- The shape and dimension of this article are based on JIS C 0806.
(Taping of electronic parts (Surface mounted device))

注 記

- 本品は 0.5mm ピッチ FPC 用コネクタをエンボステープ梱包したものである。
- 本品の形状及び寸法規定は JIS C 0806 (電子部品のテーピング (表面実装部品)) に準拠する。

<P/N composition> <P/N 構成>

10051922-16 1 0E H LF



mat'l. code	---	surface	ISO 1302	tolerance	ISO 406	projection	product family	CODE
l/r	description	ecn no	dr	date	ISO 1101	scale 10:1	59GF FLEX 0.5	JP
					tolerances unless otherwise specified			
					angles	mm		
					±2'		ASSEMBLY	
					linear	0.X ±0.3	0.5mm PITCH CONNECTOR FOR FPC	
					0.XXX ±0.3		VLL Series	
					dr	N.SASAME 2010-6-23	sheet 5 of 5 size	
					enrg	N.SASAME 2010-6-23	10051922	A3
G	ADDEDP/N	J10-0142	N.S	2010-6-4	chr	2010-6-23	type	Product Customer Drawing
H	REVISED	J10-0171	N.S	2010-6-23	appd		Rev.	H
sheet index	revision sheet							