



FCIconnect.com

Copyright FCI

1

2

List of "SFV__R-3/4STE1LF" customer document

DOCUMENT NO.	LIST
SC-SFV04	SPEC.
JSA96151	CAT.NO.TABLE FOR 0.5mm CONTACT SPACING CONNECTOR (SFV__R-3/4ST_LF)
JSA96152	CONNECTOR USED FOR FPC WITH 0.5mm CONTACT SPACING (SFV__R-3ST_LF)
JSA96153	CONNECTOR USED FOR FPC WITH 0.5mm CONTACT SPACING (SFV__R-4ST_LF)
JSA96154	CAT.NO.TABLE FOR PLASTIC TAPE PACKAGED 0.5mm CONTACT SPACING CONNECTOR (SFV__R-3/4STE1LF)
JSA96155	PLASTIC TAPE PACKAGED 0.5mm CONTACT SPACING CONNECTOR (SFV__R-3STE1LF)
JSA96156	PLASTIC TAPE PACKAGED 0.5mm CONTACT SPACING CONNECTOR (SFV__R-4STE1LF)
JSA92606	RECOMMENDED CABLE (FPC) (SFV__R-3/4ST_)
BJM-SFV102	HANDLING PROCEDURES

mat'l. code			surface ISO 1302 <input checked="" type="checkbox"/>		tolerance ISO 406 ISO 1101		projection 		product family 58EF							
ltr	ecn no	dr	date		tolerances unless otherwise specified				title							
A	J04-0462	H.T	'04/12/17		<table border="1"> <tr> <td>angles</td> <td>linear</td> </tr> <tr> <td></td> <td></td> </tr> <tr> <td></td> <td></td> </tr> </table>				angles	linear					0.5mm SPACING FPC CONNECTOR DOCUMENT LIST	
angles	linear															
B	J05-0227	H.T	'05/4/14		scale \times		(Cat. No. : SFV__R-3/4STE1LF)									
C	J06-0372	H.T	'06/9/17				dwg no		sheet 1 of 1	size						
							JSA 96150		A4							
							type Product Customer Drawing									
sheet index	revision sheet	C	1							Rev. C						

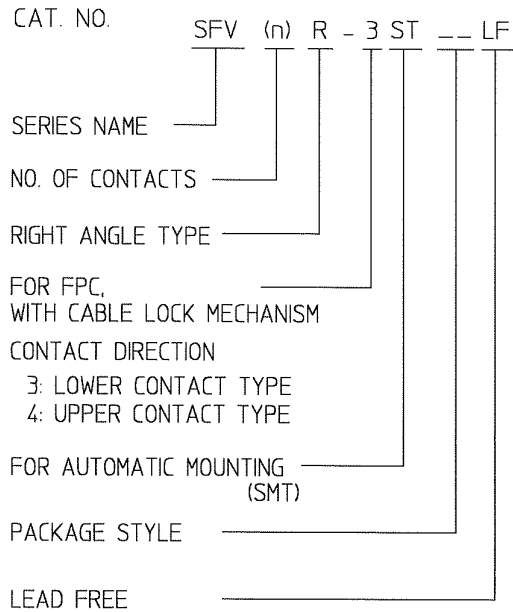
form: A4

1

2

CAT. NO. & DIMENSIONS

NO. OF CONTACTS (n)	CAT. NO.	DIMENSIONS (NOTE2)			
		A ± 0.2	B ± 0.2	C ± 0.1	D ± 0.1
4	SFV 4R-3/4ST__LF	7.5	5.9	1.5	1.6
5	SFV 5R-3/4ST__LF	8.0	6.4	2.0	2.1
6	SFV 6R-3/4ST__LF	8.5	6.9	2.5	2.6
7	SFV 7R-3/4ST__LF	9.0	7.4	3.0	3.1
8	SFV 8R-3/4ST__LF	9.5	7.9	3.5	3.6
9	SFV 9R-3/4ST__LF	10.0	8.4	4.0	4.1
10	SFV10R-3/4ST__LF	10.5	8.9	4.5	4.6
11	SFV11R-3/4ST__LF	11.0	9.4	5.0	5.1
12	SFV12R-3/4ST__LF	11.5	9.9	5.5	5.6
13	SFV13R-3/4ST__LF	12.0	10.4	6.0	6.1
14	SFV14R-3/4ST__LF	12.5	10.9	6.5	6.6
15	SFV15R-3/4ST__LF	13.0	11.4	7.0	7.1
16	SFV16R-3/4ST__LF	13.5	11.9	7.5	7.6
17	SFV17R-3/4ST__LF	14.0	12.4	8.0	8.1
18	SFV18R-3/4ST__LF	14.5	12.9	8.5	8.6
19	SFV19R-3/4ST__LF	15.0	13.4	9.0	9.1
20	SFV20R-3/4ST__LF	15.5	13.9	9.5	9.6
21	SFV21R-3/4ST__LF	16.0	14.4	10.0	10.1
22	SFV22R-3/4ST__LF	16.5	14.9	10.5	10.6
23	SFV23R-3/4ST__LF	17.0	15.4	11.0	11.1
24	SFV24R-3/4ST__LF	17.5	15.9	11.5	11.6
25	SFV25R-3/4ST__LF	18.0	16.4	12.0	12.1
26	SFV26R-3/4ST__LF	18.5	16.9	12.5	12.6
27	SFV27R-3/4ST__LF	19.0	17.4	13.0	13.1
28	SFV28R-3/4ST__LF	19.5	17.9	13.5	13.6
29	SFV29R-3/4ST__LF	20.0	18.4	14.0	14.1
30	SFV30R-3/4ST__LF	20.5	18.9	14.5	14.6
31	SFV31R-3/4ST__LF	21.0	19.4	15.0	15.1
32	SFV32R-3/4ST__LF	21.5	19.9	15.5	15.6
33	SFV33R-3/4ST__LF	22.0	20.4	16.0	16.1
34	SFV34R-3/4ST__LF	22.5	20.9	16.5	16.6
35	SFV35R-3/4ST__LF	23.0	21.4	17.0	17.1



NOTES

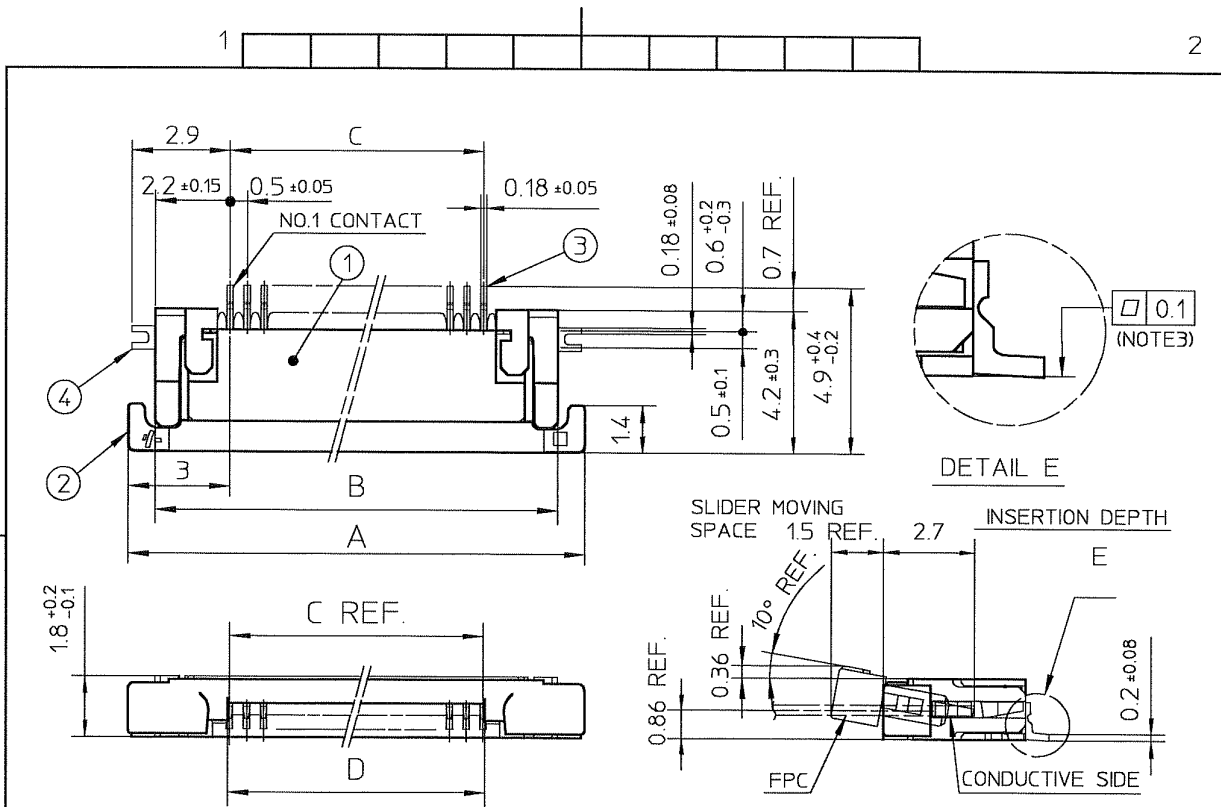
1. THIS PRODUCT IS THE CONNECTOR USED FOR FPC AND COPELS WITH AUTOMATIC MOUNTING (SMT).
2. SEE PART DRAWINGS FOR DIMENSIONS A-D.
3. THIS PRODUCT IS THE CONNECTOR WITH CABLE LOCK MECHANISM.



Copyright FCI

mat'l. code				surface ISO 1302 ✓		tolerance ISO 406 ISO 1101		projection		product family 58EF			
ltr	ecn no	dr	date	tolerances unless otherwise specified						title			
A	J04-0462	H.T	'04/12/17	angles		linear		scale X		CAT. NO. TABLE FOR 0.5 mm CONTACT SPACING CONNECTOR (Cat. No. : SFV__R-3/4ST__LF)			
B	J05-0227	H.T	'05/4/14							dwg no sheet 1 of 1 size			
C	J06-0372	H.T	'06/9/17							JSA 96151 A4			
				dr		9/17/06		FCI		type Product Customer Drawing			
				engr		9/17/06							
				chr		9/8/06							
				appd		8/1/06							
sheet index		revision C		sheet 1								Rev. C	

SC-SFV04 form: A4 JSA96152, 96153, 96154, 96155, 96156, 92606

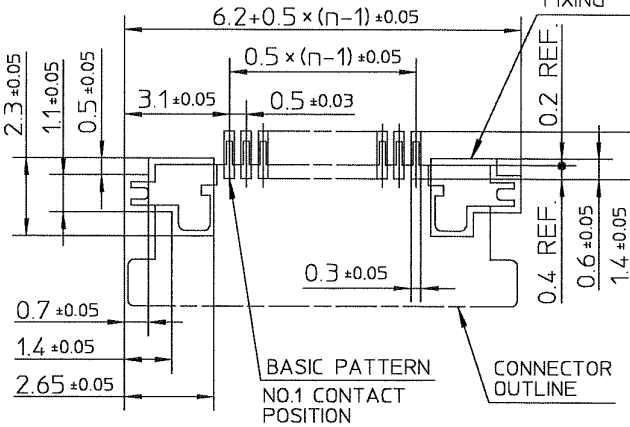


PT. NO.	PARTS NAME	MATERIAL	Q'TY	NOTE
1	HOUSING	POLYAMIDE RESIN GLASS REINFORCED (UL94V-0)	1	COLOR : BLACK
2	SLIDER	PPS RESIN GLASS REINFORCED (UL94V-0)	1	COLOR : BLACK
3	CONTACT	PHOSPHOR BRONZE	n	PLATING : MATTE PURE TIN NI UNDER PLATED (LEAD FREE)
4	MOUNTING PLATE		2	

RECOMMENDED PC BOARD LAYOUT
(COMPONENT SIDE)

PATTERN FOR MOUNTING PLATE
FIXING

n : NO. OF CONTACTS



NOTES

- THIS PRODUCT IS THE CONNECTOR USED FOR FPC/FFC AND COPE WITH AUTOMATIC MOUNTING (SMT).
- THIS PRODUCT IS LOWER CONTACT TYPE CONNECTOR WITH CABLE LOCK MECHANISM.
- FLATNESS OF CONTACT TERMINAL AND MOUNTING PLATE MUST BE WITHIN TOLERANCE IN E PORTION DETAILED DRAWING.
- THIS PRODUCT MEETS EUROPEAN UNION DIRECTIVES AND OTHER COUNTRY REGULATIONS AS DESCRIBED IN GS-22-008.
- THE HOUSING WILL WITHSTAND EXPOSURE TO 260°C PEAK TEMPERATURE FOR 10 SECONDS IN A REFLOW SOLDERING OVEN.

mat'l. code				surface ISO 1302 ✓		tolerance ISO 406 ISO 1101		projection		product family 58EF	
ltr	ecn no	dr	date	tolerances unless otherwise specified						title CONNECTOR USED FOR FPC WITH 0.5 mm CONTACT SPACING (Cat. No. : SFV_R-3ST_LF)	
A	J04-0462	H.T	'04/12/17	angles	linear ±0.2						
B	J05-0227	H.T	'05/4/14							dwg no JSA 96152 sheet 1 of 1 size A4	
C	J05-0710	H.T	'05/10/21								
D	J06-0064	H.T	'06/2/23	dr	9/9/06					type Product Customer Drawing	
E	J06-0372	H.T	'06/9/17	enrg	9/9/06						
				chr	9/8/06						
				appd	9/11/06						
sheet index	revision	E								Rev. E	
	sheet	1									

SC-SFV04 JSA96151 form: A4

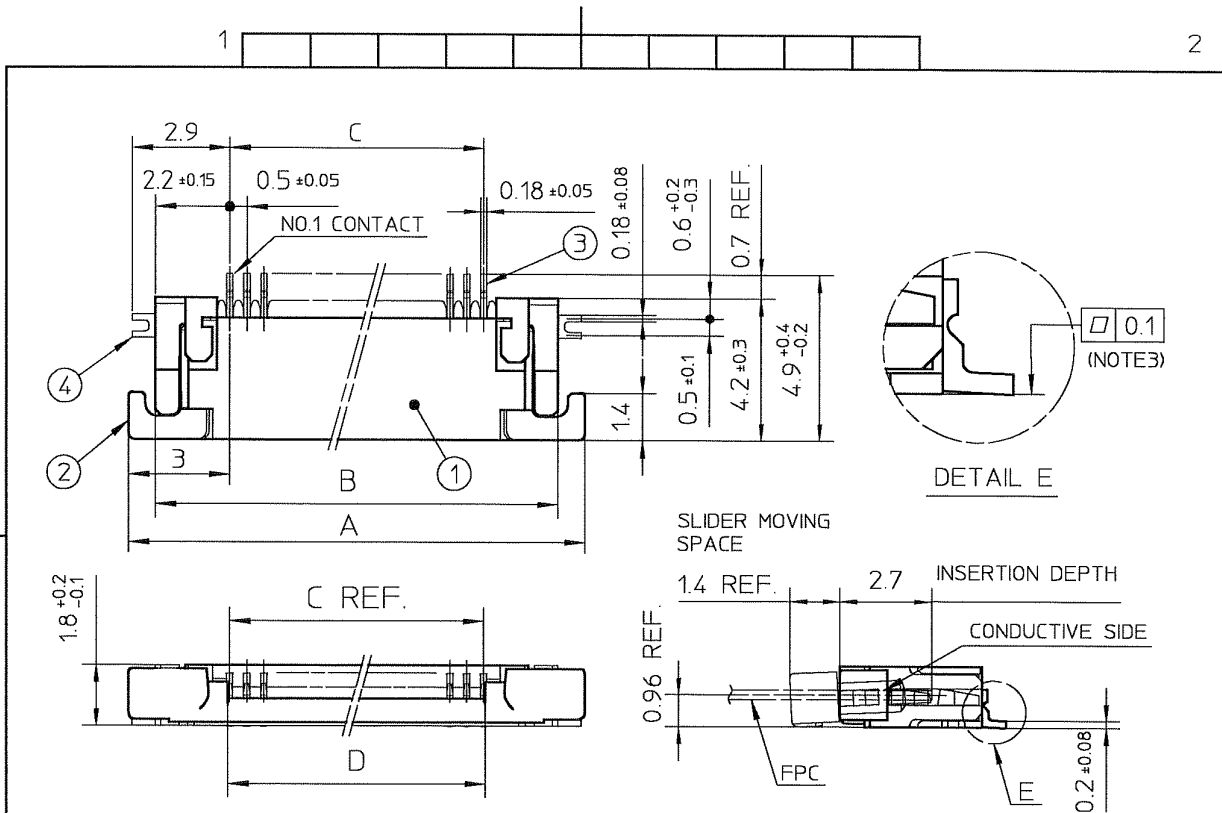
1

2



FCIconnect.com

Copyright FCI

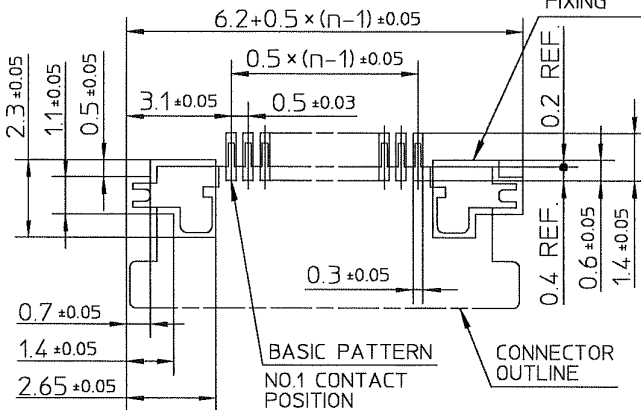


PT. NO.	PARTS NAME	MATERIAL	Q'TY	NOTE
1	HOUSING	POLYAMIDE RESIN GLASS REINFORCED (UL94V-0)	1	COLOR : BLACK
2	SLIDER	PPS RESIN GLASS REINFORCED (UL94V-0)	1	COLOR : BLACK
3	CONTACT	PHOSPHOR BRONZE	n	PLATING : MATTE PURE TIN NI UNDER PLATED (LEAD FREE)
4	MOUNTING PLATE		2	

n : NO. OF CONTACTS

RECOMMENDED PC BOARD LAYOUT
(COMPONENT SIDE)

PATTERN FOR
MOUNTING PLATE
FIXING



NOTES

- THIS PRODUCT IS THE CONNECTOR USED FOR FPC/FFC AND COPE WITH AUTOMATIC MOUNTING (SMT).
- THIS PRODUCT IS UPPER CONTACT TYPE CONNECTOR WITH CABLE LOCK MECHANISM.
- FLATNESS OF CONTACT TERMINAL AND MOUNTING PLATE MUST BE WITHIN TOLERANCE IN E PORTION DETAILED DRAWING.
- THIS PRODUCT MEETS EUROPEAN UNION DIRECTIVES AND OTHER COUNTRY REGULATIONS AS DESCRIBED IN GS-22-008.
- THE HOUSING WILL WITHSTAND EXPOSURE TO 260°C PEAK TEMPERATURE FOR 10 SECONDS IN A REFLOW SOLDERING OVEN.

mat'l. code		surface		tolerance		projection		product family				
		ISO 1302 ✓		ISO 406 ISO 1101				58EF				
ltr	ecn no	dr	date	tolerances unless otherwise specified				title				
A	J04-0462	H.T	'04/12/17	<table border="1"> <tr> <td>angles</td> <td>linear</td> <td>±0.2</td> </tr> </table>				angles	linear	±0.2	CONNECTOR USED FOR FPC WITH 0.5 mm CONTACT SPACING (Cat. No. : SFV_LR-4ST_LF)	
angles	linear	±0.2										
B	J05-0227	H.T	'05/4/14					scale X				
C	J05-0710	H.T	'05/10/21					dwg no				
D	J06-0064	H.T	'06/2/23	dr	9/7/06		sheet 1 of 1					
E	J06-0372	H.T	'06/9/17	enrg	9/7/06		size					
				chr	9/8/06		A4					
				appd	9/11/06		type Product Customer Drawing					
sheet	revision	E						Rev.				
index	sheet	1						E				

SC-SFV04 JSA96151
form: A4

1

2



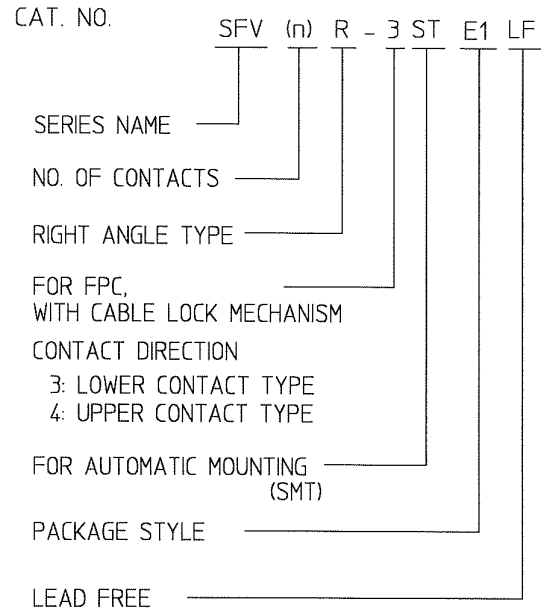
FCIconnect.com

Copyright FCI



CAT. NO. & DIMENSIONS

NO. OF CONTACTS (n)	CAT. NO.	DIMENSIONS (NOTE3)		
		F ± 5	G ± 0.3	H ± 0.1
4	SFV 4R-3/4STE1LF	20.4	16	—
5	SFV 5R-3/4STE1LF	20.4	16	—
6	SFV 6R-3/4STE1LF	20.4	16	—
7	SFV 7R-3/4STE1LF	28.4	24	—
8	SFV 8R-3/4STE1LF	28.4	24	—
9	SFV 9R-3/4STE1LF	28.4	24	—
10	SFV10R-3/4STE1LF	28.4	24	—
11	SFV11R-3/4STE1LF	28.4	24	—
12	SFV12R-3/4STE1LF	28.4	24	—
13	SFV13R-3/4STE1LF	28.4	24	—
14	SFV14R-3/4STE1LF	28.4	24	—
15	SFV15R-3/4STE1LF	28.4	24	—
16	SFV16R-3/4STE1LF	28.4	24	—
17	SFV17R-3/4STE1LF	28.4	24	—
18	SFV18R-3/4STE1LF	28.4	24	—
19	SFV19R-3/4STE1LF	28.4	24	—
20	SFV20R-3/4STE1LF	28.4	24	—
21	SFV21R-3/4STE1LF	28.4	24	—
22	SFV22R-3/4STE1LF	28.4	24	—
23	SFV23R-3/4STE1LF	36.4	32	28.4
24	SFV24R-3/4STE1LF	36.4	32	28.4
25	SFV25R-3/4STE1LF	36.4	32	28.4
26	SFV26R-3/4STE1LF	36.4	32	28.4
27	SFV27R-3/4STE1LF	36.4	32	28.4
28	SFV28R-3/4STE1LF	36.4	32	28.4
29	SFV29R-3/4STE1LF	36.4	32	28.4
30	SFV30R-3/4STE1LF	36.4	32	28.4
31	SFV31R-3/4STE1LF	48.4	44	40.4
32	SFV32R-3/4STE1LF	48.4	44	40.4
33	SFV33R-3/4STE1LF	48.4	44	40.4
34	SFV34R-3/4STE1LF	48.4	44	40.4
35	SFV35R-3/4STE1LF	48.4	44	40.4



NOTES

1. THIS PRODUCT IS THE CONNECTOR USED FOR FPC AND COPES WITH AUTOMATIC MOUNTING (SMT).
2. THIS CATALOG NO. INDICATES PLASTIC TAPE PACKAGED
3. SEE PART DRAWINGS FOR DIMENSIONS F-H.
4. THIS PRODUCT IS THE CONNECTOR WITH CABLE LOCK MECHANISM.

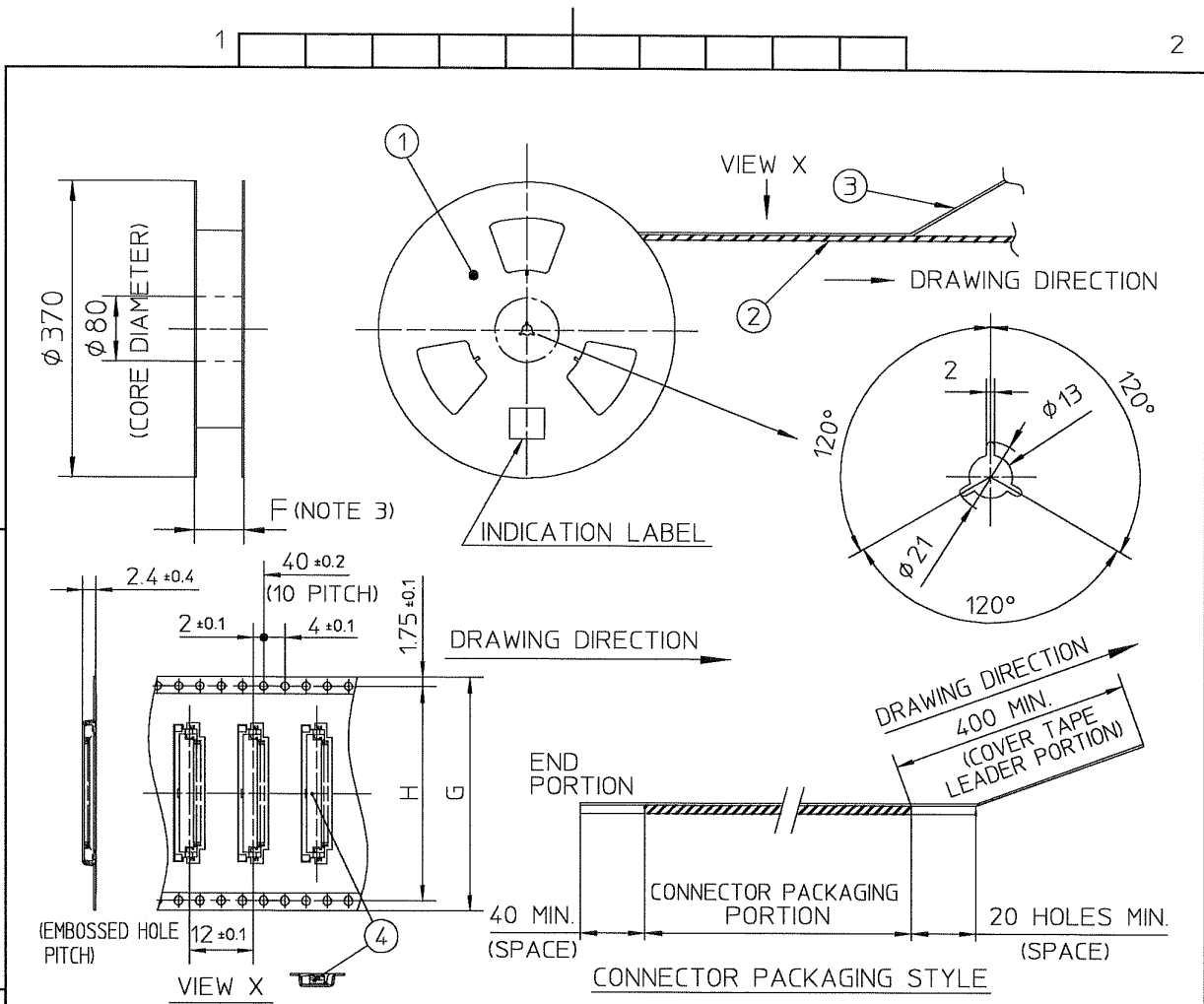


FCIconnect.com

Copyright FCI

mat'l. code				surface ISO 1302 ✓		tolerance ISO 406 ISO 1101		projection		product family 58EF	
ltr	ecn no	dr	date	tolerances unless otherwise specified						title	
A	J04-0462	H.T	'04/12/17	angles		linear				CAT. NO. TABLE FOR PLASTIC TAPE PACKAGED 0.5 mm CONTACT SPACING CONNECTOR (Cat. No. : SFV__R-3/4STE1LF)	
B	J05-0227	H.T	'05/4/14							dwg no JSA 96154 sheet 1 of 1 size A4	
C	J06-0372	H.T	'06/9/7							type Product Customer Drawing	
sheet index		revision	C							Rev. C	
		sheet	1								

SC-SFV04 JSA96151 form: A4



PT. NO.	PARTS NAME	CAT. NO.	MATERIAL	Q'TY	NOTE
1	REEL	_____	CARDBOARD	1	COLOR : WHITE
2	PLASTIC (EMBOSS) TAPE	_____	A-PET	_____	COLOR : TRANSPARENCY
3	COVER	_____	POLYESTER	_____	COLOR : TRANSPARENCY
4	CONNECTOR	SFV__R-3ST__LF	SEE ATTACHED DWG.	3000	LOWER CONTACT TYPE WITH CABLE LOCK MECHANISM

NOTES

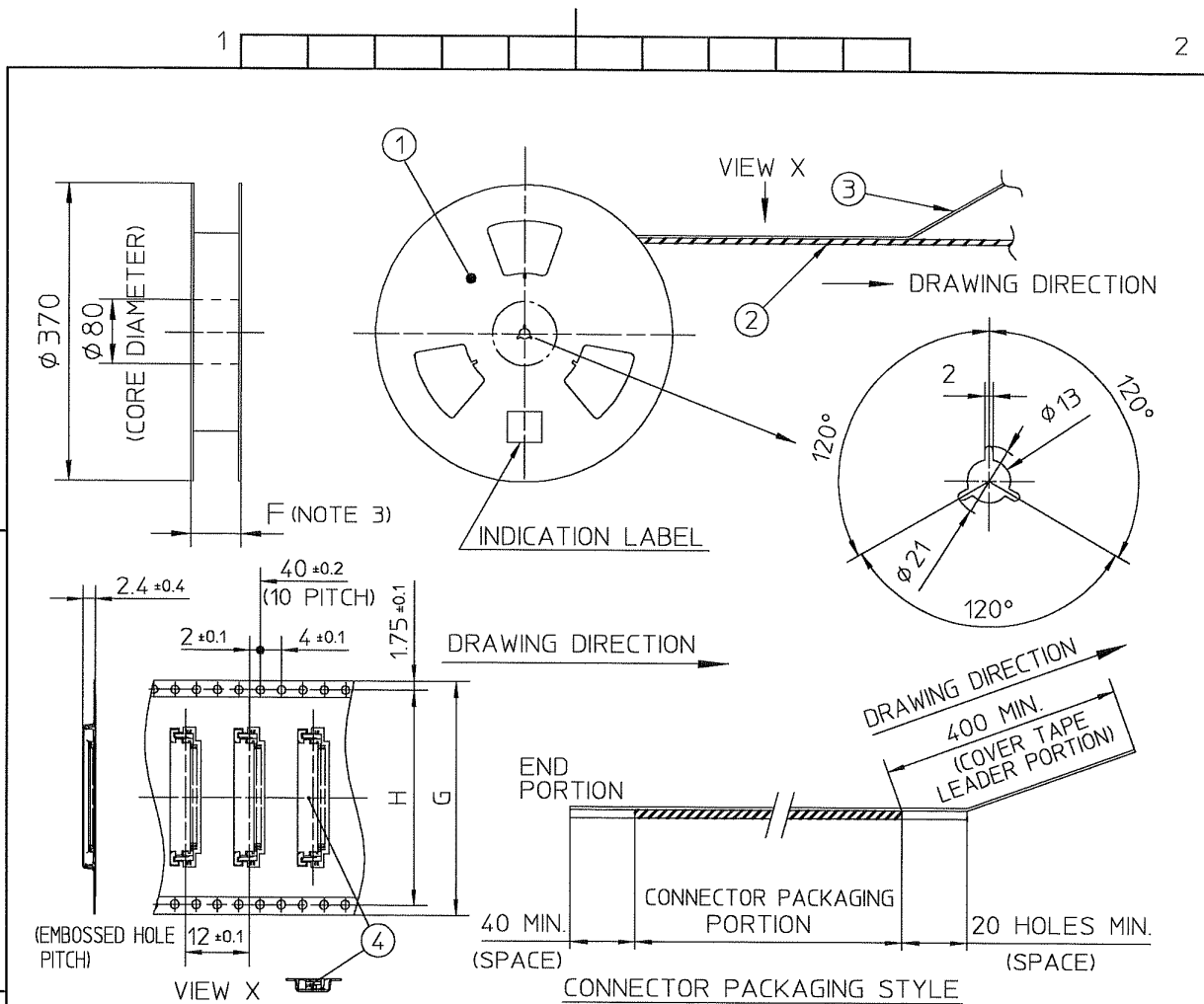
- THIS IS PLASTIC TAPE PACKAGED CONNECTOR USED FOR FPC AND COPES WITH AUTOMATIC MOUNTING (SMT).
- SEE JIS C 0806 (PACKING OF ELECTRONIC COMPONENTS ON CONTINUOUS TAPES (SURFACE MOUNTING DEVICES)) FOR SHAPE AND DIMENSIONS OF PLASTIC (EMBOSS) TAPE AND REEL.
- F DIMENSION IS PORTION OF THE CORE.

mat'l. code				surface ISO 1302 ✓		tolerance ISO 406 ISO 1101		projection	product family 58EF	
ltr	ecn no	dr	date	tolerances unless otherwise specified					title PLASTIC TAPE PACKAGED 0.5 mm CONTACT SPACING CONNECTOR (Cat. No. : SFV__R-3STE1LF)	
A	J04-0462	H.T	'04/12/17	angles	±5					
B	J05-0227	H.T	'05/4/14	linear				scale X		
C	J06-0372	H.T	'06/9/17	±5°						
				dr	9/7/06				dwg no _____ sheet 1 of 1 size A4	
				enr	9/9/06				JSA 96155	
				chr	9/8/06				type Product Customer Drawing	
				appd	9/11/06					
sheet index	revision	C								Rev. C
	sheet	1								

SC-SFV04 JSA96151 form: A4



Copyright FCI



PT. NO.	PARTS NAME	CAT. NO.	MATERIAL	Q'TY	NOTE
1	REEL	_____	CARDBOARD	1	COLOR : WHITE
2	PLASTIC (EMBOSS) TAPE	_____	A-PET	_____	COLOR : TRANSPARENCY
3	COVER	_____	POLYESTER	_____	COLOR : TRANSPARENCY
4	CONNECTOR	SFV_R-4ST_LF	SEE ATTACHED DWG.	3000	UPPER CONTACT TYPE WITH CABLE LOCK MECHANISM

NOTES

- THIS IS PLASTIC TAPE PACKAGED CONNECTOR USED FOR FPC AND COPES WITH AUTOMATIC MOUNTING (SMT).
- SEE JIS C 0806 (PACKING OF ELECTRONIC COMPONENTS ON CONTINUOUS TAPES (SURFACE MOUNTING DEVICES)) FOR SHAPE AND DIMENSIONS OF PLASTIC (EMBOSS) TAPE AND REEL.
- F DIMENSION IS PORTION OF THE CORE.

mat'l. code				surface ISO 1302 ✓		tolerance ISO 406 ISO 1101		projection		product family 58EF	
ltr ecn no dr date				tolerances unless otherwise specified		angles linear		scale X		title	
A	J04-0462	H.T	'04/12/17			±5		←		PLASTIC TAPE PACKAGED 0.5 mm CONTACT SPACING CONNECTOR (Cat. No. : SFV_R-4STE1LF)	
B	J05-0227	H.T	'05/4/14			±5°		X		dwg no sheet 1 of 1 size	
C	J06-0372	H.T	'06/9/17					FCI		JSA 96156 A4	
				dr 9/9/06		engr 9/9/06				type Product Customer Drawing	
				chr 9/8/06		appd 9/10/06				Rev. C	
sheet index				revision C		sheet 1				Rev. C	

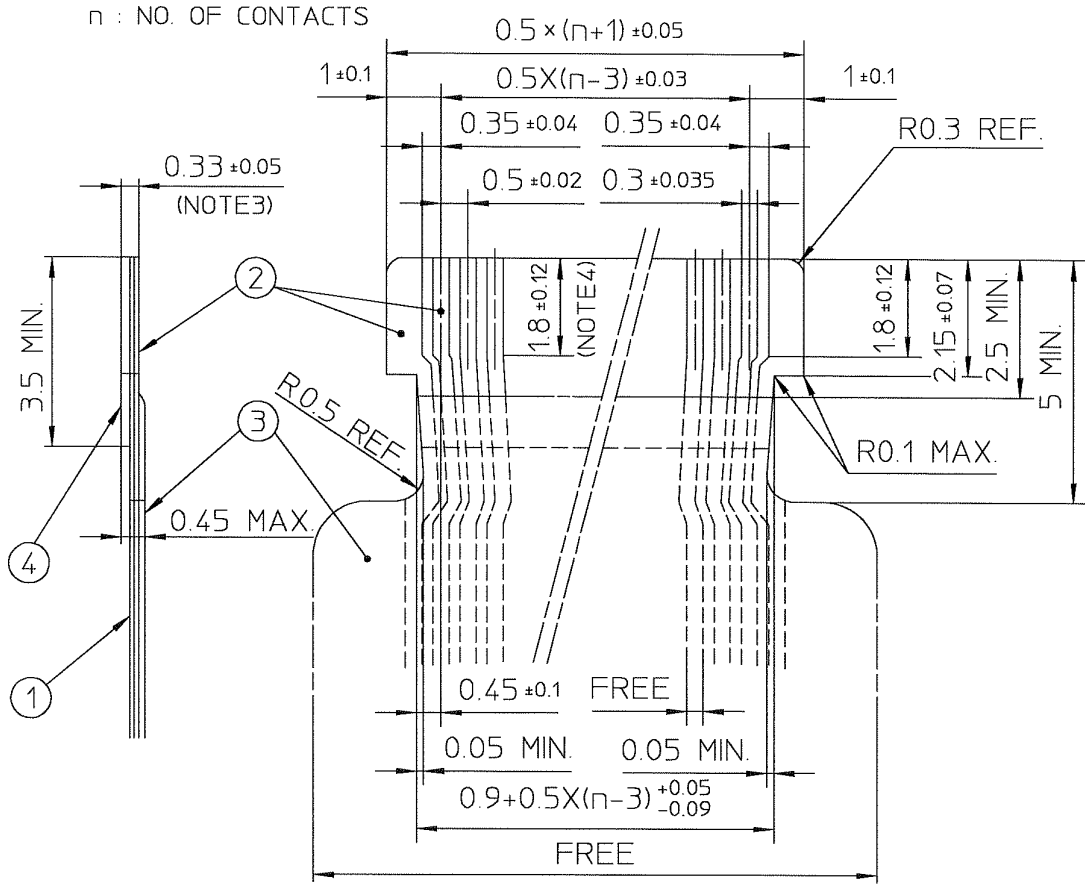
SC-SFV04 JSA96151 form: A4



FCIconnect.com

Copyright FCI

RECOMMENDED CABLE (FPC)



PT. NO.	PARTS NAME	MATERIAL	THICKNESS (μm)
1	BASE FILM	POLYIMIDE OR POLYESTER OR EQUAL	25
2	CONDUCTOR	COPPER FOIL (PLATING : SOLDER 1μm MIN.)	35
3	OVERLAY	POLYIMIDE OR POLYESTER OR EQUAL	—
4	SUPPORTING TAPE	POLYESTER OR POLYIMIDE OR EQUAL	188

NOTES

1. NO BURR AT EACH PORTION.
2. NO PEELING IN COMMON USE.
3. TOTAL THICKNESS LIMIT OF EACH MATERIAL (INCLUDING ADHESIVE AGENT) IS SPECIFIED.
4. THIS DIMENSION INDICATES THE RANGE FOR 0.3 ± 0.035 CONDUCTOR WIDTH.

mat'l. code				surface ISO 1302 ✓		tolerance ISO 406 ISO 1101		projection		product family 58EF	
ltr	ecn no	dr	date	tolerances unless otherwise specified				 scale X		title RECOMMENDED CABLE (Cat. No. : SFV__R-3/4ST__)	
AA	J03-0196	H.T	'03/5/1	angles	linear						
AB	J06-0372	H.T	'06/9/7					dwg no		sheet 1 of 1	size
				dr	9/19/06				JSA 92606		A4
				engr	9/17/06						
				chr	9/8/06						
				appd	9/1/06						
sheet index	revision sheet	AB	1					type Product Customer Drawing		Rev.	AB

SC-SFV02 JSA92600 form: A4



FCIconnect.com

Copyright FCI