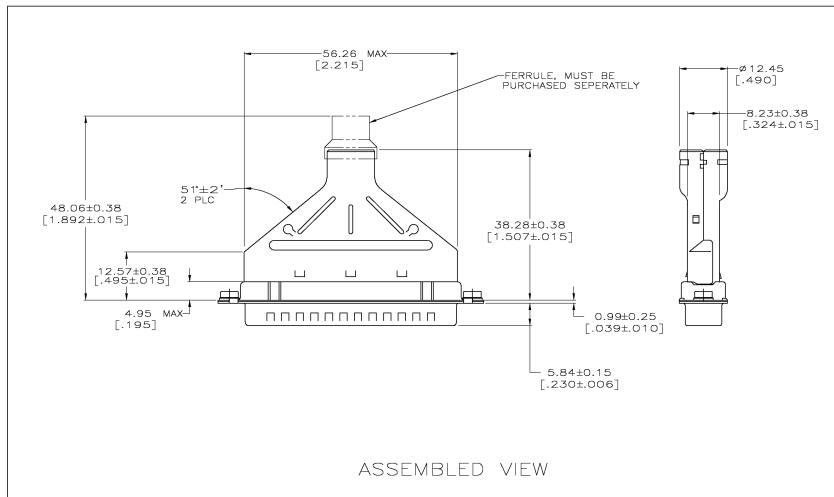
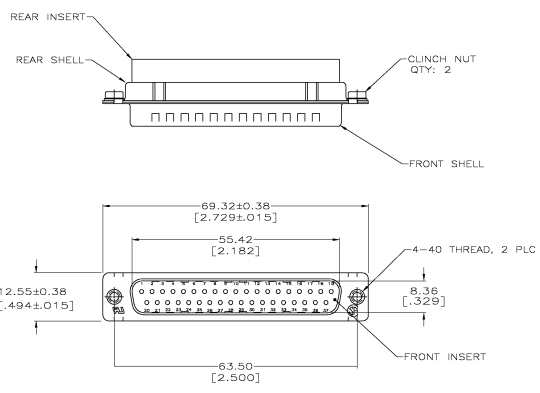
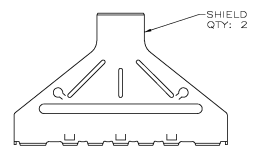


THE TRADEMARKS AND LOGOS ARE THE PROPERTY OF THEIR RESPECTIVE OWNERS. ALL RIGHTS RESERVED.

REVISIONS			
REV	DESCRIPTION	DATE	BY
0	RELEASED PER EC 0513-0297-04	11-11-04	GA JG



- ▲ SHELLS, SHIELDS & CLINCH NUTS: CARBON STEEL.
- ▲ SHELLS & SHIELDS: 5.08µm [.000200] MIN TIN OVER 2.54µm [.000100] MIN COPPER.
- ▲ INSERTS: NYLON, UL 94V-0 RATED, GLASS FILLED, BLACK.
- ▲ CLINCH NUTS: ZINC PLATED, YELLOW CHROMATE.

THIS DRAWING IS A CONTROLLED DOCUMENT.		BY: ATTADA, J	DATE: 05/11/04	 Tyco Electronics Corporation Harrisburg, PA 17105-2608
DRAWN BY: (NONE)		BY: GEMACE	DATE: 05/11/04	
CHECKED BY: (NONE)		BY: W. WALLEY	DATE: 05/11/04	PLUG KIT, UNASSEMBLED, SIZE 4, 37 POSITION, WITH SHIELDING HARDWARE AND CLINCH NUT, HDP-20 AMP/LMITE
DATE: 05/11/04		PROJECT: 108-40000 & 108-40030	DATE: 05/11/04	
DATE: 05/11/04		PROJECT: 114-40030	DATE: 05/11/04	SIZE: 10K SIZE (TRANS 10) PART NO: A100779-5786929 CUSTOMER DRAWING
DATE: 05/11/04		PROJECT: 114-40030	DATE: 05/11/04	REV: 4-1 PART NO: 5786929-1 PART NO

APP 486 BY 5786929