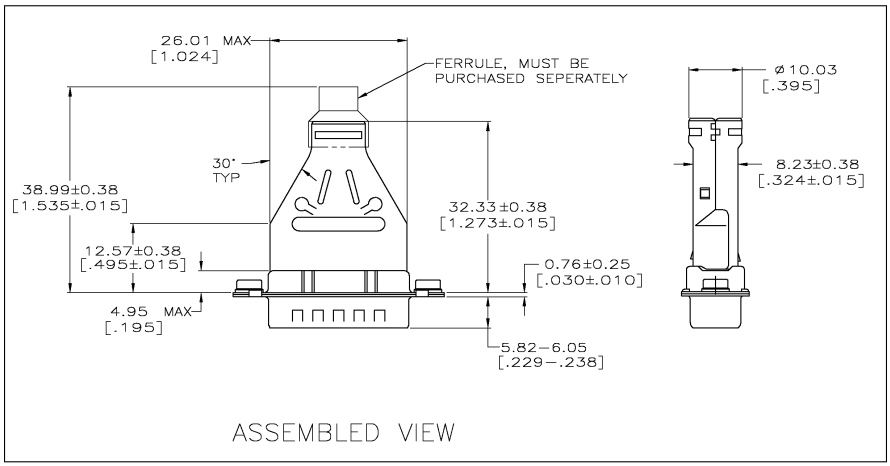
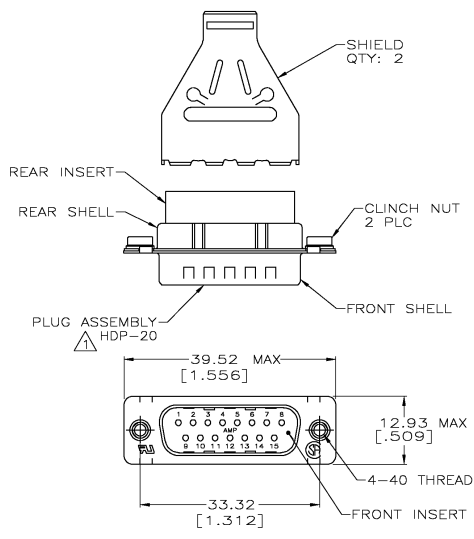


THIS DRAWING IS UNPUBLISHED. RELEASED FOR PUBLICATION. ALL RIGHTS RESERVED. BY TICO ELECTRONICS CORPORATION.

REV	DATE	DESCRIPTION	BY	APPV
00	11-11-04	RELEASED PER EC 0513-0257-04	GA	JG



ASSEMBLED VIEW

- ⚠ PLUG ACCEPTS SIZE 20 DF PIN CONTACTS. CONTACTS MUST BE PURCHASED SEPARATELY.
- ⚠ SHELLS, SHIELDS & CLINCH NUTS: CARBON STEEL.
- ⚠ SHELLS & SHIELDS: 5.08 μm [.000200] MIN TIN OVER 2.54 μm [.000100] MIN COPPER.
- ⚠ INSERTS: NYLON, UL 94V-0 RATED, GLASS FILLED, BLACK.
- ⚠ CLINCH NUTS: ZINC PLATED, CLEAR CHROMATE.

5750636-1
PART NO

THIS DRAWING IS A CONTROLLED DOCUMENT.		DN G. ATADIA - DOCKS 11-11-04	Tyco Electronics Corporation Harrisburg, PA 17105-3608
DIMENSIONS: mm [INCHES]		DR J. GERACE 11-11-04	
TOLERANCES UNLESS OTHERWISE SPECIFIED:		APD M. WALMSLEY 11-11-04	SHIELDING HARDWARE KIT, UNASSEMBLED, PLUG, SIZE 2, 15 POSN, WITH CLINCH NUTS, AMPLIMITE HDP-20
Ø P/C # - 1 P/C # - 2 P/C # 0.13 (.005) 3 P/C # - 4 P/C # - 5 P/C # -		REVISION SPEC APPLICATION SPEC 108-40005 & 108-40030 114-40030	
MATERIAL	FINISH	WEIGHT	SIZE A2 CAGE CODE 00779 DRAWING NO. 5750636 RESTRICTED TO
CUSTOMER DRAWING		SCALE 2:1	SHEET 1 OF 1 REV Q

AMP 1471-9 REV 31MAR2000