

Tous droits strictement réservés. Reproduction ou communication à des tiers
interdite sous quelque forme que ce soit sans autorisation écrite du propriétaire.
Propriété de c FCI. Droits de reproduction FCI.

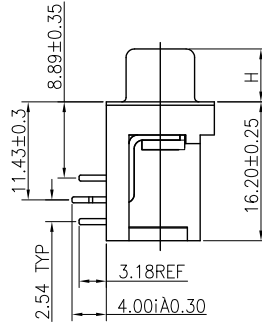
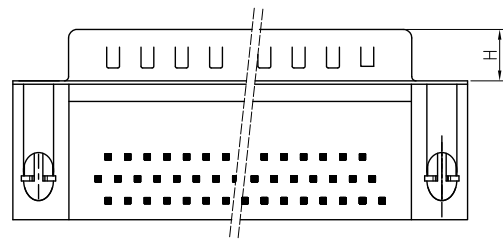
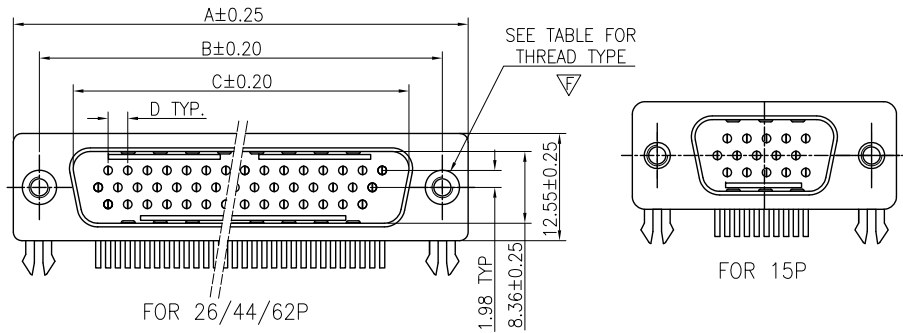


All rights strictly reserved. Reproduction or issue to third parties in any
form whatever is not permitted without written authority from the proprietor.
Property of FCI. Copyright FCI.

1 | 2

3

4



POS.	PART NO.	THREAD TYPE
15P	10090926-P15*LLF	M3*0.5
26P	10090926-P26*LLF	M3*0.5
44P	10090926-P44*LLF	M3*0.5
62P	10090926-P62*LLF	M3*0.5
15P	10090926-P15*XLFF	UNC #4-40
26P	10090926-P26*XLFF	UNC #4-40
44P	10090926-P44*XLFF	UNC #4-40
62P	10090926-P62*XLFF	UNC #4-40

POS.	A	B	C	D	E	F	H
15P	30.81	24.99	16.92	2.29	8.19	7.68	5.90±0.25
26P	39.24	33.32	25.25	2.29	8.01	7.02	5.90±0.25
44P	53.04	47.04	38.96	2.29	8.02	7.01	5.70±0.25
62P	69.32	63.50	55.42	2.41	8.21	7.03	5.70±0.25

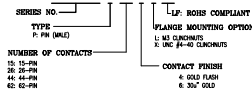
REMARK:

- CHARACTERISTICS:
 - RATED VOLTAGE: 250V
 - RATED CURRENT: 2.5AMP
 - CONTACT RESISTANCE: 25mohms MAX(40mohms MAX FOR AFTER TEST).
 - INSULATION RESISTANCE: 5000mohms MIN.at 500V DC
 - DIELECTRIC STRENGTH: 750V/MS
 - OPERATING TEMPERATURE RANGE: -55° C-105° C
 - INSERTION/EXTRACTION FORCE PER CONTACT: 5N Max./0.2N Min.
 - MATING/UNMATING CYCLES: 200MATING MIN FOR GOLD-FLASH
500MATING MIN FOR 30u" GOLD.

2. MATERIAL:

- INSULATORS: THERMOPLASTIC G.F(UL94V-0) BLACK
- CONTACTS: COPPER ALLOY, GOLD(G/F or 30u") TOP OVER CONTACT AREA,
100u" Min MATTE TIN TOP OVER SOLDER AREA,
50u" Min NICKEL UNDER PLATE.
- SHELL: CARBON STEEL, 100u" Min NICKEL TOP OVER,
50u" Min COPPER UNDER PLATE.
- Z BRACKET: COPPER ALLOY, 100u" Min MATTE TIN PLATED.
- SCREW LOCK: COPPER ALLOY - 50u" Min NICKEL PLATED.

3. PART NUMBER DESCRIPTION: 10090926-P XX X X LF



mat'l. code				tolerances unless otherwise specified				CUSTOMER COPY		FCI	
lfr	ecn no	dr	date	linear	.X ± 0.38	projection	title	www.fciconnect.com			
A	T09-1156	J.H	12/10/09		.XX ± 0.25		H/D D-SUB MALE RIGHT-ANGLE	product family D-SUB			
B	T10-0164	J.H	10/19/10	angles	.XXX ± 0.10			MM	size	dwg no	code
					0° ±2°	scale	1:1	A4	10090926	sheet	1 of 5
sheet index	revision sheet	B 1	B 2	B 3	B 4	B 5				cage code	

1 | 2

3

4

ACAD

PDM: Rev:B

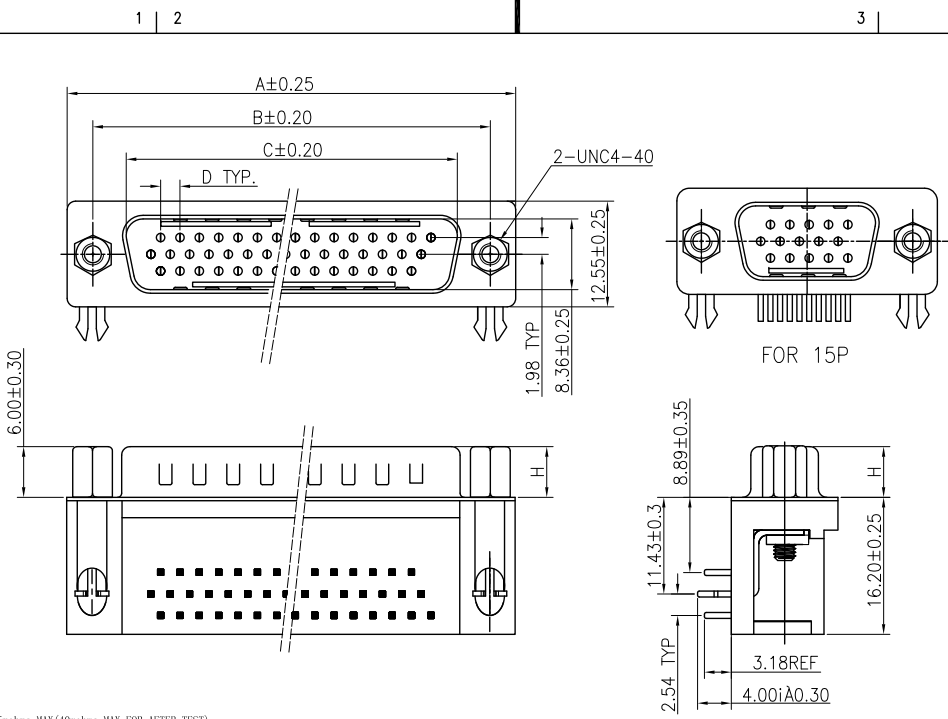
STATUS:Released

Printed: Nov 02, 2010

Tous droits strictement réservés. Reproduction ou communication à des tiers
interdite sous quelque forme que ce soit sans autorisation écrite du propriétaire.
Propriété de c FCI. Droits de reproduction FCI.



All rights strictly reserved. Reproduction or issue to third parties in any
form whatever is not permitted without written authority from the proprietor.
Property of FCI. Copyright FCI.



REMARK:
1. CHARACTERISTICS:
RATED VOLTAGE: 250V
RATED CURRENT: 2.5AMP
CONTACT RESISTANCE: 25mohms MAX(40mohms MAX FOR AFTER TEST).
INSULATION RESISTANCE: 5000Mohms MIN.at 500V DC
DIELECTRIC STRENGTH: 750Vrms
OPERATING TEMPERATURE RANGE: -55° C~+105° C
INSERTION/EXTRACTION FORCE PER CONTACT: 5N Max./0.2N Min.
MATING/UNMATING CYCLES: 200MATINGS MIN FOR GOLD-FLASH
500MATINGS MIN FOR 30u" GOLD.

2. MATERIAL:
INSULATORS: THERMOPLASTIC G.F.(UL94V-0) BLACK
CONTACTS: COPPER ALLOY(G/F or 30u")TOP OVER CONTACT AREA,
100u" Min MATTE TIN TOP OVER SOLDER AREA,
50u" Min NICKEL UNDER PLATE.
SHELL: CARBON STEEL, 100u" Min NICKEL TOP OVER,
50u" Min COPPER UNDER PLATE.
Z BRACKET: COPPER ALLOY, 100u" Min MATTE TIN PLATED.
SCREW LOCK: COPPER ALLOY , 50u" Min NICKEL PLATED.
NUT: COPPER ALLOY , 50u" Min NICKEL PLATED.

3. PART NUMBER DESCRIPTION: **10090926-P XX X X LP**
SERIES NO. ————
TYPE ————
P: FR (REF)
NUMBER OF CONTACTS
13-15-PH
26-30-PH
44-48-PH
62-68-PH
LP: ROHS COMPLIANT
FLANGE MOUNTING OPTION
V: IEC A1-40 SOLDER LOCK
CONTACT FINISH
4: GOLD FUSION
5: 30-100"

POS.	PART NO.	A	B	C	D	E	F	H
15P	10090926-P15*VLF	30.81	24.99	16.92	2.29	8.19	7.68	5.90 ^{±0.25}
26P	10090926-P26*VLF	39.24	33.32	25.25	2.29	8.01	7.02	5.90 ^{±0.25}
44P	10090926-P44*VLF	53.04	47.04	38.96	2.29	8.02	7.01	5.90 ^{±0.25}
62P	10090926-P62*VLF	69.32	63.50	55.42	2.41	8.21	7.03	5.90 ^{±0.25}

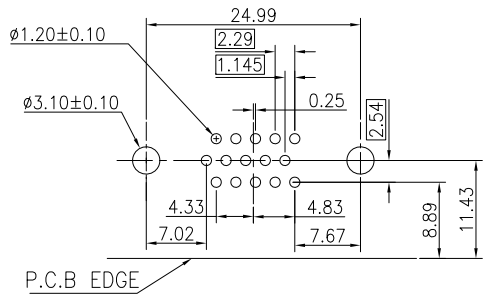
mat'l. code				tolerances unless otherwise specified		CUSTOMER COPY	
ltr	ecn no	dr	date	linear	.X ± 0.38	projection	FCI
B					.XX ± 0.25	title	www.fciconnect.com
				angles	.XXX ± 0.10	H/D D-SUB MALE RIGHT-ANGLE	
				dr	0° ±2°	MM	product family D-SUB
				engr		scale	code TWN
				chr	JASON HSU 10/19/10	1:1	size dwg no
				appd	JASON HSU 10/19/10	A4	10090926
sheet index	revision sheet						sheet 2 of 5

ACAD PDM: Rev:B STATUS:Released Printed: Nov 02, 2010

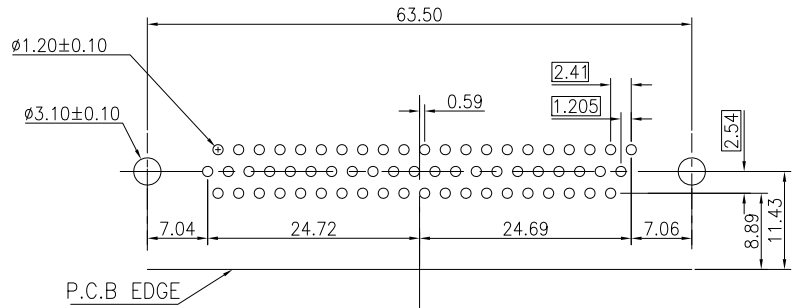
Tous droits strictement réservés. Reproduction ou communication à des tiers interdite sous quelque forme que ce soit sans autorisation écrite du propriétaire. Propriété de c FCI. Droits de reproduction FCI.



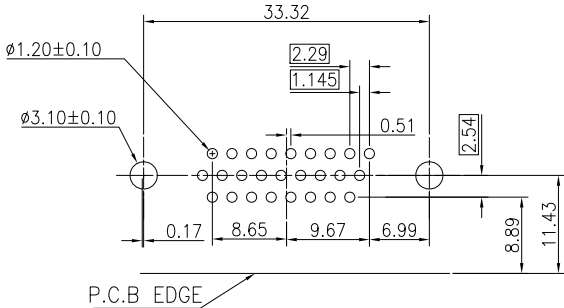
All rights strictly reserved. Reproduction or issue to third parties in any form whatever is not permitted without written authority from the proprietor. Property of FCI. Copyright FCI.



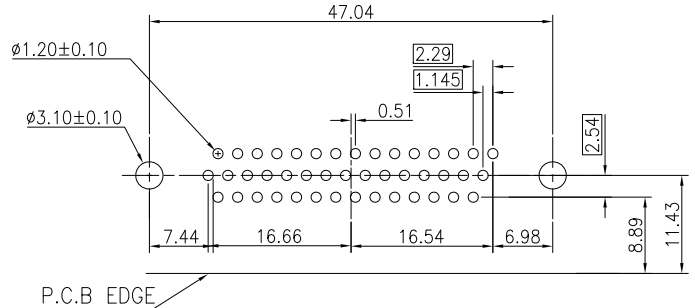
P.C.B LAYOUT(FOR 15P)



P.C.B LAYOUT(FOR 62P)



P.C.B LAYOUT(FOR 26P)



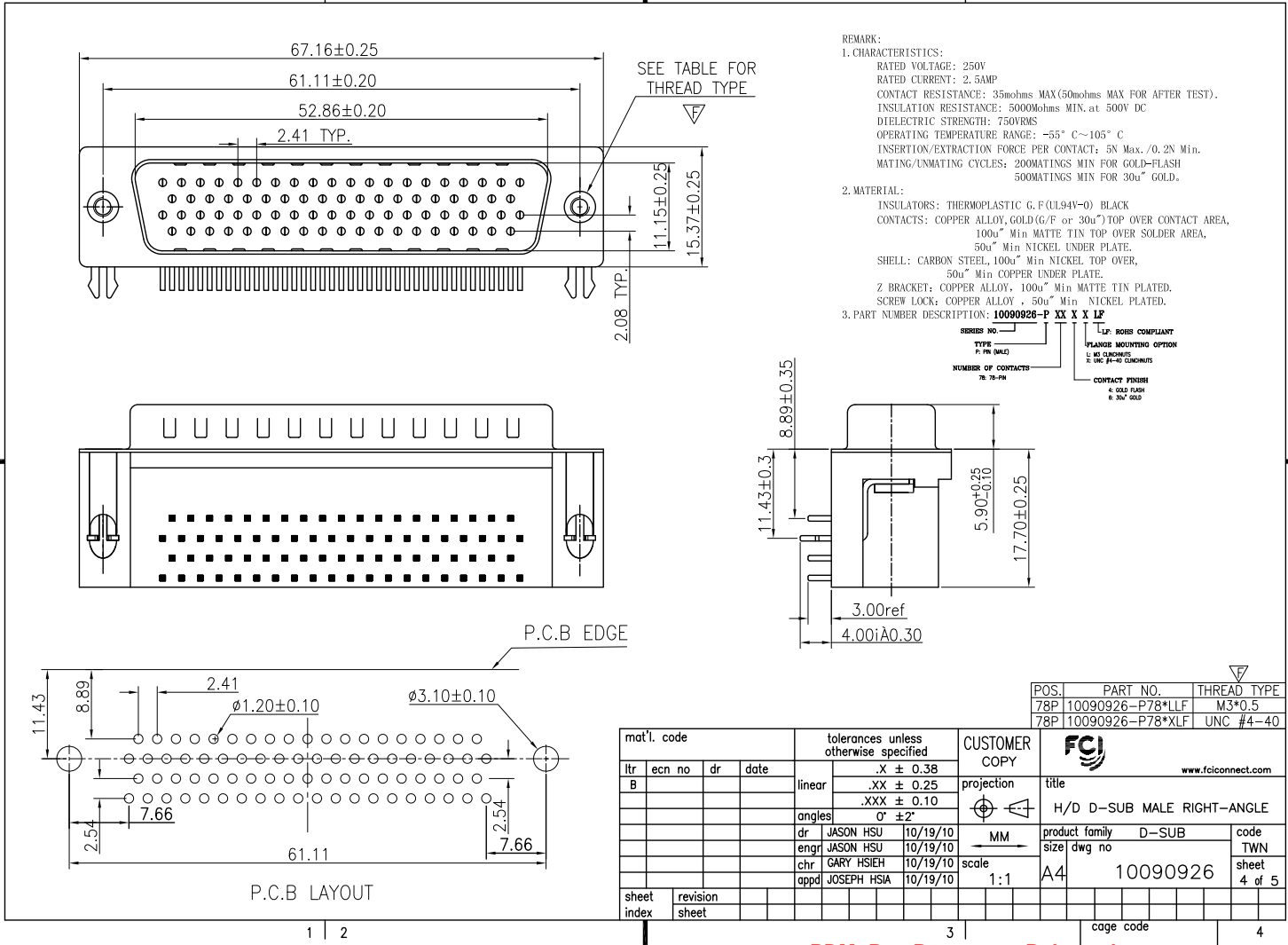
P.C.B LAYOUT(FOR 44P)

mat'l. code				tolerances unless otherwise specified			CUSTOMER COPY		FCI		www.fciconnect.com	
ltr	ecn no	dr	date	linear	.X ± 0.38		projection	title				
B					.XX ± 0.25			H/D D-SUB MALE RIGHT-ANGLE PCB				
				angles	.XXX ± 0.10		MM	product family		D-SUB		
					0° ±2°			size		D-SUB		code
				dr	JASON HSU	10/19/10	scale	size		10090926		
				enrg	JASON HSU	10/19/10		dwg no		TWN		
				chr	GARY HSIEH	10/19/10		1:1		sheet		
				appd	JOSEPH HSIA	10/19/10				3 of 5		
sheet index	revision sheet							cage code				

Tous droits strictement réservés. Reproduction ou communication à des tiers interdite sous quelque forme que ce soit sans autorisation écrite du propriétaire. Propriété de c FCI. Droits de reproduction FCI.



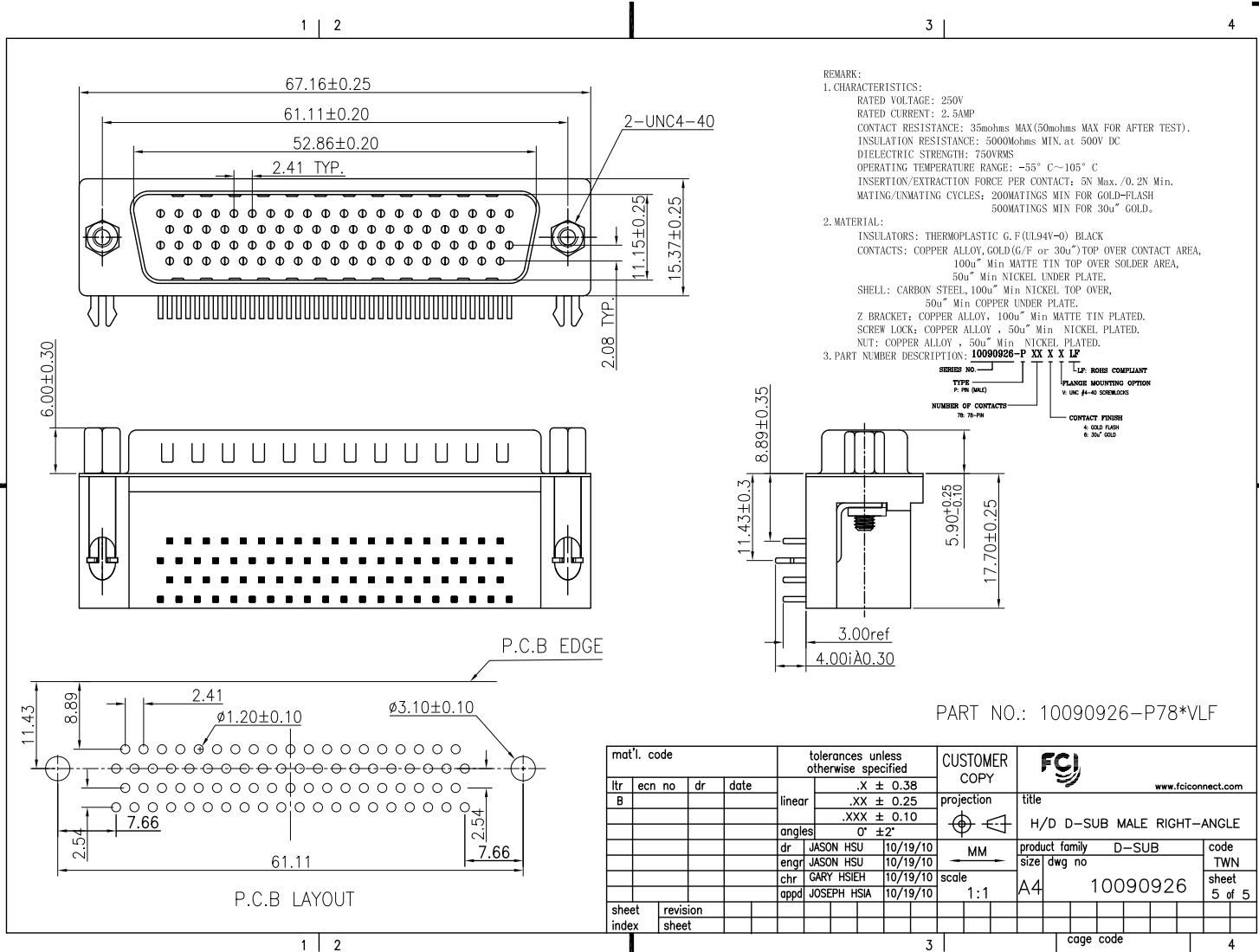
All rights strictly reserved. Reproduction or issue to third parties in any form whatever is not permitted without written authority from the proprietor. Property of FCI. Copyright FCI.



Tous droits strictement réservés. Reproduction ou communication à des tiers Interdite sous quelque forme que ce soit sans autorisation écrite du propriétaire. Propriété de c FCI. Droits de reproduction FCI.



All rights strictly reserved. Reproduction or issue to third parties in any form whatever is not permitted without written authority from the proprietor. Property of FCI. Copyright FCI.



REMARK:

- CHARACTERISTICS:
 - RATED VOLTAGE: 250V
 - RATED CURRENT: 2.5AMP
 - CONTACT RESISTANCE: 35mohms MAX(50mohms MAX FOR AFTER TEST).
 - INSULATION RESISTANCE: 5000Mohms MIN.at 500V DC
 - DIELECTRIC STRENGTH: 750VRMS
 - OPERATING TEMPERATURE RANGE: -55° C~105° C
 - INSERTION/EXTRACTION FORCE PER CONTACT: 5N Max./0.2N Min.
 - MATING/UNMATING CYCLES: 200MATINGS MIN FOR GOLD-FLASH 500MATINGS MIN FOR 30u" GOLD.
- MATERIAL:
 - INSULATORS: THERMOPLASTIC G.F.(UL94V-0) BLACK
 - CONTACTS: COPPER ALLOY, GOLD(G/F or 30u")TOP OVER CONTACT AREA, 100u" Min MATTE TIN TOP OVER SOLDER AREA, 50u" Min NICKEL UNDER PLATE.
 - SHELL: CARBON STEEL, 100u" Min NICKEL TOP OVER, 50u" Min COPPER UNDER PLATE.
 - Z BRACKET: COPPER ALLOY, 100u" Min MATTE TIN PLATED.
 - SCREW LOCK: COPPER ALLOY, 50u" Min NICKEL PLATED.
 - NUT: COPPER ALLOY, 50u" Min NICKEL PLATED.
- PART NUMBER DESCRIPTION: **10090926-P XX X X LF**

SERIES NO. _____
 TYPE _____
 P. PIN (MAX) _____
 NUMBER OF CONTACTS _____
 TH. (H) _____

LF: BOHS COMPLIANT
 X: UIC #4-40 SCREWS/LOCS
 CONTACT FINISH
 A: GOLD FLASH
 B: 30u" GOLD

PART NO.: 10090926-P78*VLF

mat'l. code				tolerances unless otherwise specified		CUSTOMER COPY		FCI	
ltr	ecn no	dr	date	linear	.X ± 0.38	projection	title	www.fciconnect.com	
B					.XX ± 0.25		H/D D-SUB MALE RIGHT-ANGLE		
				angles	.XXX ± 0.10		product family	D-SUB	code
				dr	0° ±2'	MM	size	A4	TWN
				enrg		scale	10090926	sheet	5 of 5
				chr	JASON HSU 10/19/10	1:1			
				appd	JASON HSU 10/19/10				
sheet index	revision								
	sheet								