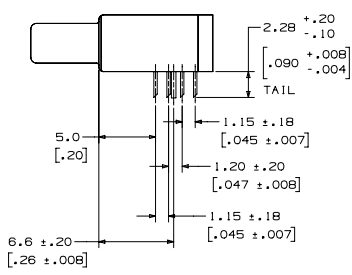
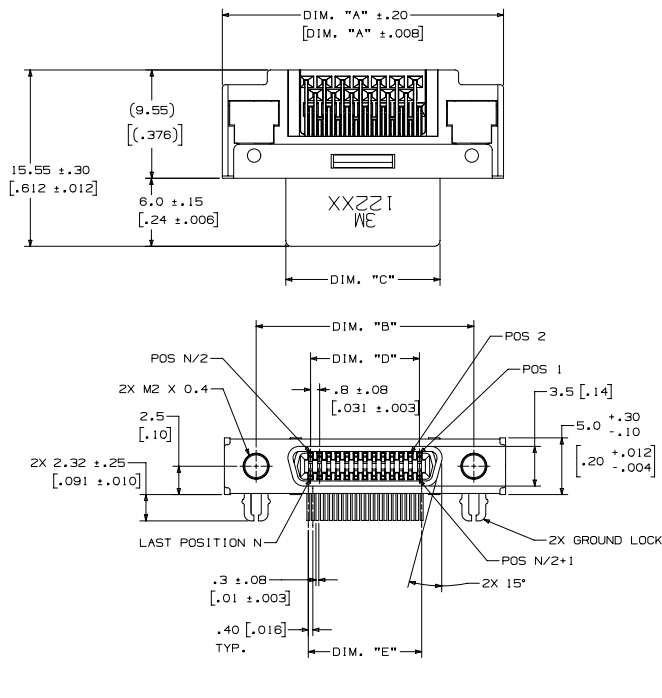


3M™ Shrink Delta Ribbon (SDR) Connectors, 122 Series
 .80 mm Through-Hole, Right Angle Receptacle, Shielded



POSITION	DIM. "A"	DIM. "B"	DIM. "C"	DIM. "D"	DIM. "E"
14	20.0 [0.79]	14.4 [0.57]	8.8 [0.35]	4.8 [0.19]	5.2 [0.20]
26	24.8 [0.98]	19.2 [0.76]	13.6 [0.54]	9.6 [0.38]	10.0 [0.39]
50	34.4 [1.35]	28.8 [1.13]	23.2 [0.91]	19.2 [0.76]	19.6 [0.77]

CONNECTOR DIMENSION TABLE
 TABLE 1

- NOTES
1. MATERIAL:
 INSULATION: HIGH TEMPERATURE NYLON
 COLOR: BLACK, UL94V-0
 CONTACT: COPPER ALLOY
 PLATING:
 UNDERPLATE: 2µm (.80µ") NICKEL
 WIPING AREA: .75µm (.30µ") GOLD
 TERMINATION AREA: GOLD FLASH OVER NICKEL
 SHROUD & LATCH HOOK: STEEL
 PLATING: NICKEL
 GROUND LOCK: COPPER ALLOY
 PLATING: SEMI-BRIGHT TIN OVER NICKEL
 LOCK SCREW: STEEL
 PLATING: NICKEL
 ALIGNMENT PLATE: PPS
 COLOR: BLACK, UL94V-0
 2. MARKING: 3M LOGO AND PART NUMBER.
 3. ELECTRICAL:
 CURRENT RATING: 0.5 A
 INSULATION RESISTANCE: 500 MΩ MIN AT 250 V_{DC}
 WITHSTANDING VOLTAGE: 350 V_{AC} FOR 1 MINUTE
 4. ENVIRONMENTAL:
 TEMPERATURE RATING:
 -40° C TO +70° C
 PROCESS RATING:
 REFLOW: PREHEAT 150° TO 180° C,
 90 TO 120 SECONDS
 SOLDERING: OVER 220° C,
 30 TO 60 SECONDS, PEAK TEMPERATURE
 IS 250° C MAX.
 SOLDER IRON: 380° C MAX., 3 SECONDS MAX,
 WAVE SOLDERING: 260° C, 10 SECONDS, 2 TIMES
 OR 263° C, 5 SECONDS, 2 TIMES
 * PRE-HEAT CONDITION:
 TEMP OF COMPONENTS: 100° C MAX.
 DURATION: 60 SECONDS MAX.
 5. IN THE EVENT OF CONFLICT BETWEEN THIS DATA
 AND THAT CONTAINED IN THE PRODUCT
 SPECIFICATION, THE PRODUCT SPECIFICATION
 TAKES PRECEDENCE.
 6. FOR VARIOUS PANEL THICKNESS JACKSOCKETS
 REFER TO 15-0142.
 7. SEE REGULATORY INFORMATION APPENDIX (RIA)
 IN THE "ROHS COMPLIANCE" SECTION OF
 WWW.3MCONNECTOR.COM FOR COMPLIANCE INFORMATION.

DIMENSIONS ARE IN MM.
 SECONDARY ARE IN INCHES ()
 AND ARE FOR REFERENCE ONLY

REV	30752	JAN 05, 2011	JNC	SC
REV	510	REVISED AND REDESIGNED	DIFF	CHG
ISSUE DATE AND DESCRIPTION	05R 05/2011	04		
DESIGN LINE	05R 05/2011	04		
REV	05R	05/2011	04	
REV	05R	05/2011	04	

3M SHRUNK DELTA RIBBON (SDR) CONN. 122XX-510X-00FR

UL FILE NO: E68080

DATE: 05/2011

SCALE: 1:1

UNIT: MILLIMETERS

DATE: 05/2011

SCALE: 1:1

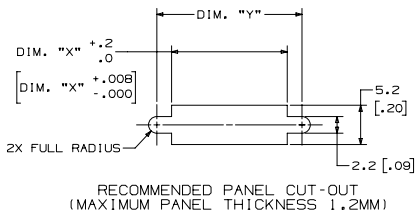
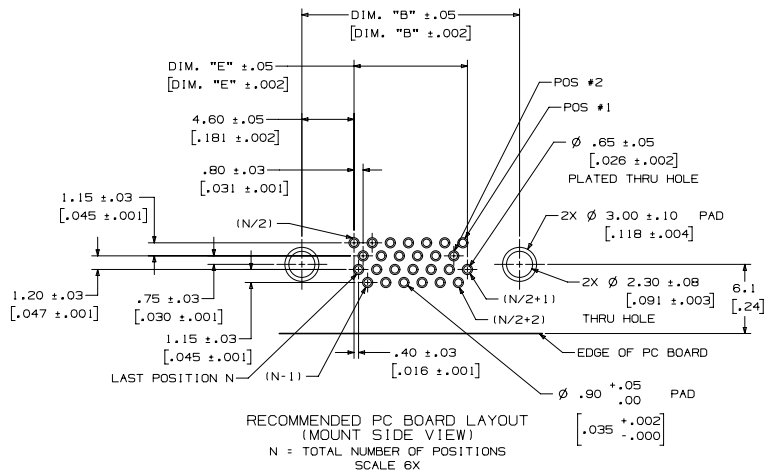
UNIT: MILLIMETERS

DATE: 05/2011

SCALE: 1:1

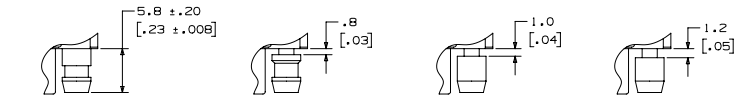
UNIT: MILLIMETERS

3M™ Shrunk Delta Ribbon (SDR) Connectors, 122 Series
 .80 mm Through-Hole, Right Angle Receptacle, Shielded



POSITION	DIM. "X"	DIM. "Y"
14	10.5 [.41]	14.4 [.57]
26	15.3 [.60]	19.2 [.76]
50	24.9 [.98]	28.8 [1.13]

RECOMMENDED PANEL CUT-OUT DIMENSION TABLE
 TABLE 2



PANEL THICKNESS	CONNECTOR	JACK SOCKET
NO PANEL	122XX-5150-00FR	FACTORY INSTALLED (SEE NOTE)
0.8±0.1MM	122XX-5100-00FR	12600-S-08 (ORDER SEPARATELY)
1.0±0.1MM	122XX-5100-00FR	12600-S-10 (ORDER SEPARATELY)
1.2±0.1MM	122XX-5100-00FR	12600-S-12 (ORDER SEPARATELY)

SELECTION TABLE FOR PANEL MOUNTING
 TABLE 3

ORDERING INFORMATION:
 122XX-51X0-00FR

CONTACT QUANTITY (SEE TABLE 1)

SCREW LOCK OPTION: (SEE TABLE 3)

0-NONE (RIA E1 & C1 APPLY)
 5-WITH 12600-S-00 NON-REMOVABLE SCREW LOCK (RIA E5 & C3 APPLY)

DESIGN REFERENCE	NEXT ASSEMBLY	REV	DATE	ISSUE DATE AND DESCRIPTION	BY	CHKD
022010-000		001	06/20/10	INITIAL RELEASE	SB	ML
DESIGNER		DESIGN DATE		REVISED AND REDESIGNED		DATE
INTERCONNECT SOLUTIONS		06/20/10		08/20/11		05/12/2011
DO NOT SCALE (PRINTING)	SCALE	TOLERANCES UNLESS NOTED	© 2011 INTERCONNECT SOLUTIONS			
			THIS DRAWING IS THE PROPERTY OF INTERCONNECT SOLUTIONS. IT IS TO BE USED FOR THE PROJECT AND QUANTITY SPECIFIED ON THE DRAWING. IT IS NOT TO BE REPRODUCED, COPIED, OR TRANSMITTED IN ANY FORM OR BY ANY MEANS, ELECTRONIC OR MECHANICAL, INCLUDING PHOTOCOPYING, RECORDING, OR BY ANY INFORMATION STORAGE AND RETRIEVAL SYSTEM.			
TRIMMABLE PRODUCTION	SCALE	TOLERANCES UNLESS NOTED	3M SHRUNK DELTA RIBBON (SDR) CONN. 122XX-51X0-00FR			
0.001 ±.001	1/16"		QTY	DATE	REVISED	BY
0.002 ±.002	1/8"		1	06/20/10	001	SB
0.005 ±.005	3/16"					
0.010 ±.010	1/4"					
0.020 ±.020	1/2"					
0.050 ±.050	3/4"					
0.100 ±.100	1"					
0.200 ±.200	2"					
0.500 ±.500	4"					
1.000 ±.100	8"					
1.500 ±.150	12"					
2.000 ±.200	16"					
2.500 ±.250	20"					
3.000 ±.300	24"					
4.000 ±.400	32"					
5.000 ±.500	40"					
6.000 ±.600	48"					
8.000 ±.800	64"					
10.000 ±.1000	80"					

122XX-51X0-00FR

A

A

E