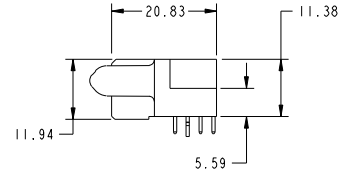
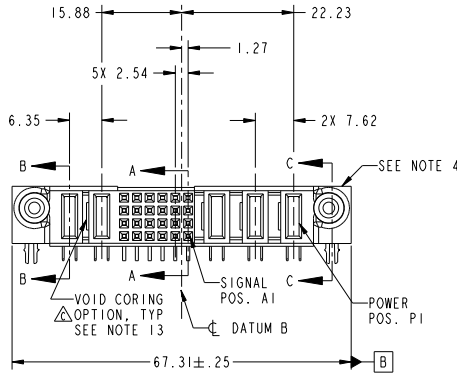
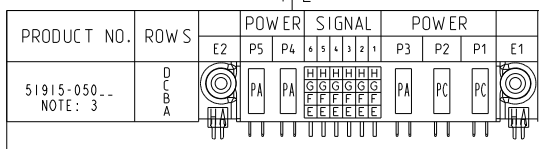


Tous droits strictement réservés. Reproduction ou communication à des tiers interdite sous quelque forme que ce soit sans autorisation écrite du propriétaire. Propriété de FCJ. Droits de reproduction FCJ.

All rights strictly reserved. Reproduction or issue to third parties in any form whatsoever is not permitted without written authority from the proprietor. Property of FCJ. Copyright FCJ.



CODE	DIM "M" MATING LENGTH	CONTACT TYPE
E	[N/A]	SIGNAL
F	[N/A]	SIGNAL
G	[N/A]	SIGNAL
H	[N/A]	SIGNAL
PA	[1.07]	POWER
PC	[2.34]	POWER
HA	[N/A]	HOLD-DOWN

mat'l code				SEE NOTE 2		tolerances unless otherwise specified		CUSTOMER		FCJ		www.fcjconnect.com	
litr	con no.	dr	date	linear	0.X ± 0.5	projection	MM	product	family	PwrBlade	code	213	
A	V04-0597	TAB	06/04/04		0.XX ± 0.25	scale	1:1	size	dwg no	51915-050	sheet	1	of 4
B	D605-0310	CS	09/30/05	angles	0.XXX ± 0.10								
C	D607-0498	JW	09/15/08	gr	0° ± 2°								
				eng	I. BRUNGARD 06/04/04								
				chr	M. GRAY 06/04/04								
				appd	M. GRAY 06/04/04								
sheet index	revision	sheet		C	C	C	C						
	1	2	3	4									

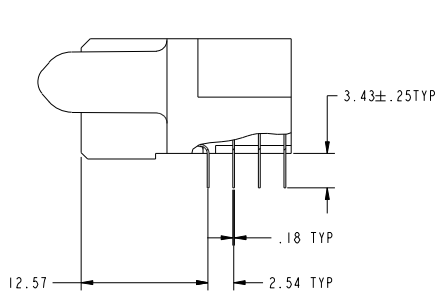
Prø/E 3 cage code 22526

Tous droits strictement réservés. Reproduction ou communication à des tiers interdite sous quelque forme que ce soit sans autorisation écrite du propriétaire. Propriété de FCJ. Droits de reproduction FCJ.

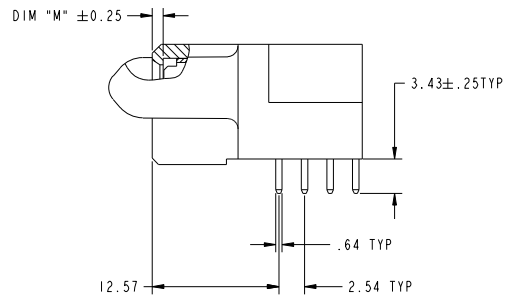


All rights strictly reserved. Reproduction or issue to third parties in any form whatsoever is not permitted without written authority from the proprietor. Property of FCJ. Copyright FCJ.

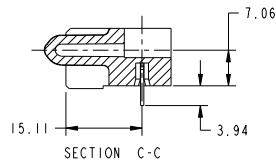
PRODUCT NUMBER
51915-050...
NOTE: 3



BROKEN-OUT SECTION A-A
SCALE 2:1



BROKEN-OUT SECTION B-B
SCALE 2:1



SECTION C-C

mat'l code		SEE NOTE 2		tolerances unless otherwise specified		CUSTOMER		FCJ		www.fcjconnect.com	
lfr	ecm no.	dr	date	linear	0.X ± 0.5	projection	COPY	title	3ACP + 24S + 2P		
C					0.XX ± 0.25				R/A SOLDER RECEPTACLE		
				angles	0.XXX ± 0.10				product family	PwrBlade	code
				dr	0° ± 2°				size	dwg no	213
				eng	I. BRUNGARD 06/04/04				scale	51915-050	sheet
				chr	M. GRAY 06/04/04						2
				appd	M. GRAY 06/04/04						
sheet index	revision sheet										

Pro/E

cage code 22526

PDM: Rev:C

STATUS:Released

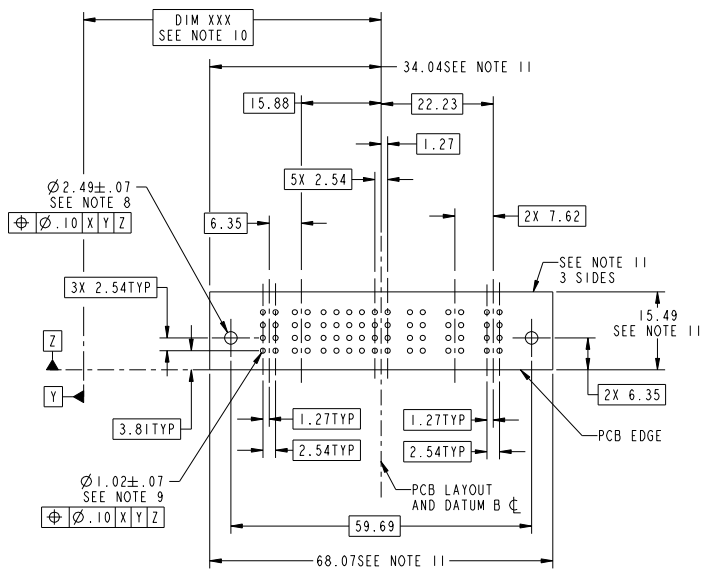
Printed: Dec 20, 2010

Tous droits strictement réservés. Reproduction ou communication à des tiers interdite sous quelque forme que ce soit sans autorisation écrite du propriétaire. Propriété de c.FCI. Droits de reproduction FCI.



All rights strictly reserved. Reproduction or issue to third parties in any form whatsoever is not permitted without written authority from the proprietor. Property of FCI. Copyright FCI.

PRODUCT NUMBER
51915-050...
NOTE: 3



mat'l code				SEE NOTE 2		tolerances unless otherwise specified		CUSTOMER		FCI www.fciconnect.com	
itr	ecm no.	dr	date	linear	0.X ± 0.5	projection	COPY		title		
C					0.XX ± 0.25	MM	R/A		3ACP + 24S + 2P		
				angles	0.XXX ± 0.10	MM	PwrBlade		R/A SOLDER RECEPTACLE		
				dr	0 ± 2°	scale	A		code		
				eng	I. BRUNGARD 06/04/04	1:1	51915-050		213		
				chr	M. GRAY 06/04/04		22526		sheet		
				appd	M. GRAY 06/04/04				3		
sheet index	revision sheet			Pro/E		3		4		B	

Tous droits strictement réservés. Reproduction ou communication à des tiers interdite sous quelque forme que ce soit sans autorisation écrite du propriétaire. Propriété de FCI. Droits de reproduction FCI.



All rights strictly reserved. Reproduction or issue to third parties in any form whatsoever is not permitted without written authority from the proprietor. Property of FCI. Copyright FCI.

PRODUCT NUMBER
51915-050..
NOTE: 3

NOTES:

1. DIMENSIONS AND TOLERANCES ARE IN ACCORDANCE WITH ASME Y14.5M, 1994 UNLESS OTHERWISE SPECIFIED.

CONNECTOR NOTES:

- 2. HOUSING MATERIAL: UL 94 V-0 GLASS FILLED
HIGH-TEMP THERMOPLASTIC
POWER CONTACT MATERIAL: COPPER ALLOY
SIGNAL PIN MATERIAL: COPPER ALLOY
- 3. PLATING:
SEE ITEM 5 & 6 IN PRINT 10064183 FOR PLATING SPEC OF 51915-050; 51915-050LF PRESPECTIVELY

4. MANUFACTURER'S NAME, P/N, AND DATE CODE TO APPEAR ON THIS SURFACE.

5. PRODUCT SPECIFICATION GS-12-149.
APPLICATION SPECIFICATION BUS-20-067.

6. PACKAGED IN TRAYS.

PCB NOTES:

- 7. ALL HOLE DIAMETERS ARE FINISHED HOLE SIZE.
- 8. MOUNTING HOLES, WHERE APPLICABLE, ARE UNPLATED.
- 9. $\varnothing 1.151 \pm 0.025$ DRILLED HOLES PLATED WITH
0.008 MIN SnPb OR Sn OVER 0.03
TO 0.08 Cu PLATING TO ACHIEVE
 $\varnothing 1.02 \pm 0.07$ HOLE.
- 10. "DIM XXX" TO BE DETERMINED BY THE CUSTOMER.
- 11. CONNECTOR KEEP-OUT ZONE.

12. A Δ SYMBOL WILL BE NEXT TO ANY DIMENSION, VIEW, OR NOTE WHICH HAS BEEN MODIFIED WITH THE CURRENT DRAWING REVISION.

13. THE VOID CORING IN BETWEEN POWER MODULES, SIGNAL MODULES AND END MODULES ARE OPTIONAL AND THE SHAPE MAY BE DIFFERENT FOR OPTIMIZING THE MOLDING PROCESS THE VOID CORING WILL NOT EFFECT TO PRODUCT FUNCTION.

mat'l code SEE NOTE 2				tolerances unless otherwise specified		CUSTOMER		FCI www.fciconnect.com			
lfr	ecm no.	dr	date	linear	0.X ± 0.5	projection 	title 3ACP + 24S + 2P R/A SOLDER RECEPTACLE	product family PwrBlade	code 213		
C				0.XX ± 0.25						product size 51915-050	sheet 4
				0.XXX ± 0.10							
				angles 0° ± 2°	scale 1:1						
				dr	I. BRUNGARD 06/04/04						
				eng	M. GRAY 06/04/04						
				chr	M. GRAY 06/04/04						
				appd	M. GRAY 06/04/04						
sheet index	revision sheet										

cage code 22526