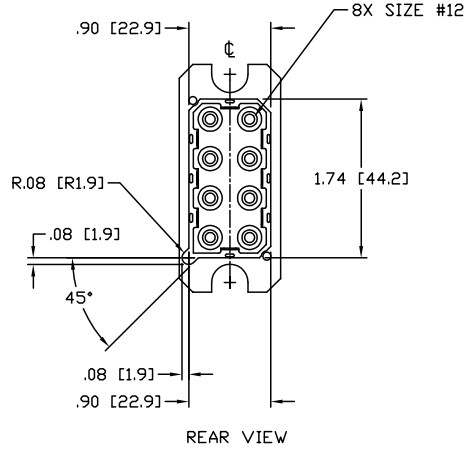
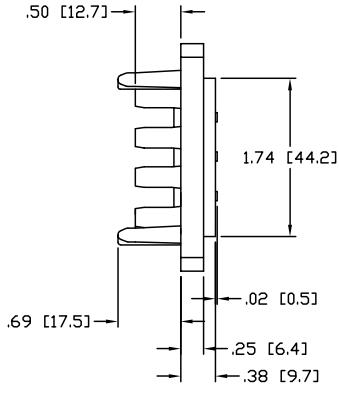
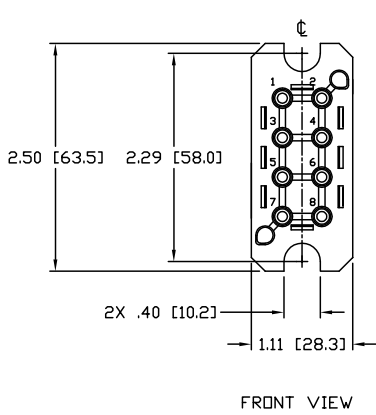


4	3	2	1																
<table border="1" style="width: 100%; border-collapse: collapse;"> <tr> <th colspan="4">REVISIONS</th> </tr> <tr> <th style="width: 10%;">EC</th> <th style="width: 10%;">REV</th> <th style="width: 70%;">DESCRIPTION</th> <th style="width: 10%;">DATE</th> </tr> <tr> <td>CPR</td> <td>A</td> <td>NEW RELEASE, PREVIOUSLY CUD 499-058</td> <td>03/18/06</td> </tr> </table>				REVISIONS				EC	REV	DESCRIPTION	DATE	CPR	A	NEW RELEASE, PREVIOUSLY CUD 499-058	03/18/06				
REVISIONS																			
EC	REV	DESCRIPTION	DATE																
CPR	A	NEW RELEASE, PREVIOUSLY CUD 499-058	03/18/06																
<p style="font-size: 8px; margin: 0;">This drawing involves proprietary design rights of Tyco Electronics Corporation, and all design, manufacture, reproduction, use and sale rights regarding the same are expressly reserved. It is submitted for a specific purpose and the recipient by accepting this drawing, assumes custody and control and agrees to take reasonable precautions: (a) that this drawing will not be copied and reproduced, in whole or in part, or its contents, revealed in any manner, or in any form, except in most (b) person for which it was delivered and (c) that any special features peculiar to this design will not be incorporated in other projects without the expressed written permission of Tyco Electronics Corporation.</p>																			
<p>7. SEE DRAWING C-1648127 FOR MATING PIN CONNECTOR.</p> <p>6. ITEMS PROVIDED TO THIS SPECIFICATION TO BE PERMANENTLY IDENTIFIED PER THE FOLLOWING IDENTIFIER: WEEK</p> <p style="margin-left: 40px;">YEAR </p> <p style="margin-left: 40px;">TYCO PART NUMBER DATE CODE (e.g. 0625)</p> <p style="margin-left: 40px;">XXXXXXXX-X XXXX</p> <p>5. ALL DIMENSIONS SHOWN ACROSS A CENTERLINE (⊥) SHALL BE CENTRALIZED WITHIN THE TOLERANCE INDICATED FOR THAT DIMENSION.</p> <p>4. A REFERENCE DIMENSION (.XXX) IS WITHOUT TOLERANCE AND USED FOR INFORMATION PURPOSE ONLY.</p> <p>3. RECOMMENDED MOUNTING HARDWARE: TO BE ORDERED SEPARATELY.</p> <ul style="list-style-type: none"> - FOR PANEL MOUNTING, USE <li style="margin-left: 40px;">1650402-1: SHOULDER SCREW, #8-32 <li style="margin-left: 40px;">1650589-1: SHOULDER SCREW, M4X0.7 - FOR PCB MOUNTING, USE COMMERCIALY AVAILABLE SCREW AND WASHER (IF REQUIRED). <p>2. MATERIALS:</p> <p style="margin-left: 40px;">HOUSING: THERMOPLASTIC, GLASS REINFORCED, COLOR-BLACK UL94V-0 FLAMMABILITY RATED.</p> <p style="margin-left: 40px;">RETENTION CLIP: COPPER ALLOY OR STAINLESS STEEL</p> <p>1. PART NUMBER CHANGES AND OR DESIGN CHANGES AFFECTING ITEM INTERCHANGEABILITY REQUIRE PRIOR ELCON APPROVAL AND AUTHORIZATION BY REVISION TO THIS DRAWING.</p> <p>NOTES: UNLESS OTHERWISE SPECIFIED</p>																			
<table border="1" style="width: 100%; border-collapse: collapse;"> <tr> <td style="width: 20%;"></td> <td style="width: 20%; text-align: center;">1648128-1</td> <td style="width: 20%; text-align: center;">AS SHOWN</td> <td style="width: 40%;"></td> </tr> <tr> <td></td> <td style="text-align: center;">PART NUMBER</td> <td style="text-align: center;">DESCRIPTION</td> <td></td> </tr> <tr> <td style="font-size: 8px; vertical-align: top;"> INCH OR INCH (MM) THIRD ANGLE PROJECTION UNLESS OTHERWISE SPECIFIED DIMENSIONS ARE IN INCHES (METRIC) TOLERANCES ANGLES ± .5° DECIMALS .XXX ± .010 (.25) .XX ± .02 (.3) </td> <td style="font-size: 8px; vertical-align: top;"> DRAWN HA NGUYEN CHECKED APPROVED APPROVED STEVE FLICKINGER DCA APPROVED HA NGUYEN ACAD FILE NUMBER C1648128A.DWG </td> <td style="font-size: 8px; vertical-align: top;"> DATE 03/18/06 TITLE CONNECTOR, SOCKET HOUSING SIZE 8X #12 HV8P DRAWER DWG NUMBER B C= 1648128 REV. A </td> <td style="font-size: 8px; vertical-align: top;"> Tyco Electronics Corporation Menlo Park, Ca 94025 </td> </tr> <tr> <td></td> <td style="text-align: center;">DWG SCALE</td> <td style="text-align: center;">1=1</td> <td style="text-align: center;">SH 1 OF 3</td> </tr> </table>					1648128-1	AS SHOWN			PART NUMBER	DESCRIPTION		INCH OR INCH (MM) THIRD ANGLE PROJECTION UNLESS OTHERWISE SPECIFIED DIMENSIONS ARE IN INCHES (METRIC) TOLERANCES ANGLES ± .5° DECIMALS .XXX ± .010 (.25) .XX ± .02 (.3)	DRAWN HA NGUYEN CHECKED APPROVED APPROVED STEVE FLICKINGER DCA APPROVED HA NGUYEN ACAD FILE NUMBER C1648128A.DWG	DATE 03/18/06 TITLE CONNECTOR, SOCKET HOUSING SIZE 8X #12 HV8P DRAWER DWG NUMBER B C= 1648128 REV. A	Tyco Electronics Corporation Menlo Park, Ca 94025 		DWG SCALE	1=1	SH 1 OF 3
	1648128-1	AS SHOWN																	
	PART NUMBER	DESCRIPTION																	
INCH OR INCH (MM) THIRD ANGLE PROJECTION UNLESS OTHERWISE SPECIFIED DIMENSIONS ARE IN INCHES (METRIC) TOLERANCES ANGLES ± .5° DECIMALS .XXX ± .010 (.25) .XX ± .02 (.3)	DRAWN HA NGUYEN CHECKED APPROVED APPROVED STEVE FLICKINGER DCA APPROVED HA NGUYEN ACAD FILE NUMBER C1648128A.DWG	DATE 03/18/06 TITLE CONNECTOR, SOCKET HOUSING SIZE 8X #12 HV8P DRAWER DWG NUMBER B C= 1648128 REV. A	Tyco Electronics Corporation Menlo Park, Ca 94025 																
	DWG SCALE	1=1	SH 1 OF 3																
4	3	2	1																

This drawing involves proprietary design rights of Tyco Electronics Corporation, and all design, manufacture, reproduction, use and sale rights regarding the same are expressly reserved. It is submitted for a specific purpose and the recipient by accepting this drawing, assumes custody and control and agrees to take reasonable precautions: (a) that this drawing will not be copied and reproduced, in whole or in part, or its contents, revealed in any manner, or in any form, except insofar as may be necessary for the work it was delivered and (b) that any special features peculiar to this design will not be incorporated in other projects without the expressed written permission of Tyco Electronics Corporation.

REVISIONS			
EC	REV	DESCRIPTION	DATE
		SEE SHEET 1	

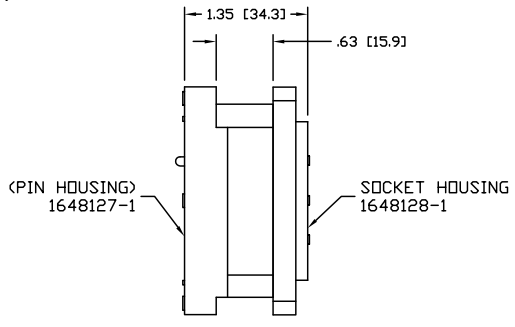


<small>INCH OR INCH (MM)</small> <small>THIRD ANGLE PROJECTION</small> <small>UNLESS OTHERWISE SPECIFIED DIMENSIONS ARE IN INCHES (METRIC)</small> <small>TOLERANCES</small> <small>ANGLES ± .5°</small> <small>DECIMALS</small> <small>.XXX ± .010 (.25)</small> <small>.XX ± .02 (.3)</small>	<small>DRAWN</small> HA NGUYEN	<small>DATE</small> 03/18/06	 Tyco Electronics Corporation Menlo Park, Ca 94025
	<small>CHECKED</small> APPROVED		<small>TITLE</small> CONNECTOR, SOCKET HOUSING SIZE 8X #12 HV8P DRAWER
	<small>APPROVED</small> STEVE FLICKINGER	<small>DATE</small> 03/18/06	<small>SIZE DWG NUMBER</small> B 1648128
	<small>ACAD FILE NUMBER</small> C1648128A.DWG	<small>DWG SCALE</small> 1=1	<small>REV.</small> A

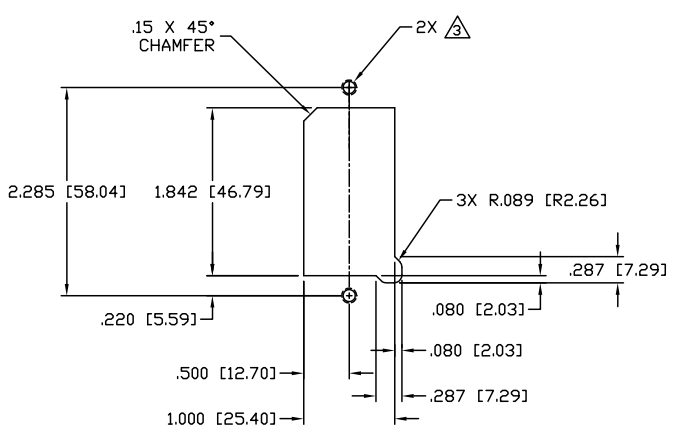
4 3 2 1

This drawing involves proprietary design rights of Tyco Electronics Corporation, and all design, manufacture, reproduction, use and sale rights regarding the same are expressly reserved. It is submitted for a specific purpose and the recipient by accepting this drawing, assumes custody and control and agrees to take reasonable precautions: (a) that this drawing will not be copied and reproduced, in whole or in part, or its contents, revealed in any manner, or in any form, except to meet the purpose for which it was delivered and (b) that any special features peculiar to this design will not be incorporated in other projects without the expressed written permission of Tyco Electronics Corporation.

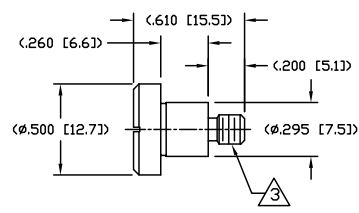
REVISIONS			
EC	REV	DESCRIPTION	DATE
		SEE SHEET 1	



MATED CONDITION



RECOMMENDED PANEL CUTOUT
AS VIEWED FROM CONNECTOR MOUNTING SIDE
(FRONT VIEW)



SHOULDER SCREW
SCALE 2:1
SHOWN FOR REFERENCE ONLY

<small>INCH OR INCH (MM)</small> <small>THIRD ANGLE PROJECTION</small>	<small>DRAWN</small> HA NGUYEN	<small>DATE</small> 03/18/06	Tyco Electronics Corporation Menlo Park, Ca 94025
	<small>CHECKED</small> APPROVED		
<small>UNLESS OTHERWISE SPECIFIED DIMENSIONS ARE IN INCHES (METRIC)</small>	<small>APPROVED</small> STEVE FLICKINGER	<small>DATE</small> 03/18/06	<small>SIZE</small> DWG NUMBER B C-1648128
<small>TOLERANCES</small> ANGLES \pm .5° DECIMALS .XXX \pm .010 (.25) .XX \pm .02 (.3)	<small>DCA APPROVED</small> HA NGUYEN	<small>DATE</small> 03/18/06	<small>REV.</small> A
	<small>ACAD FILE NUMBER</small> C1648128A.DWG		<small>DWG SCALE</small> 1=1 <small>SH</small> 3 OF 3