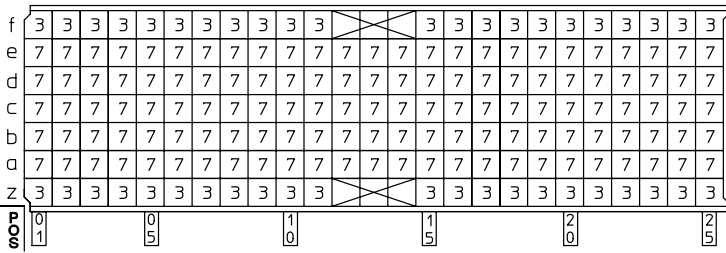
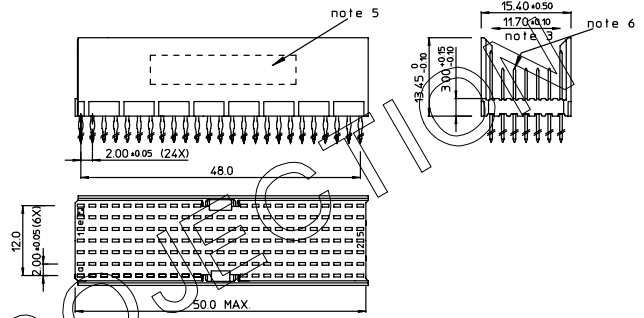


BS.C , 201843,975	D	GEN. ST.	01	02	03	04	05	06	07	08	0D	50	60	70	80	90	REV.	DATE	DESCRIPTION	BY	C'K'D'															
		INT. ST.	10	11	12	13	14	18	20	31	32	33	34	38	39	40	42	43	44	45	46	48	56	70	72	73	75	76	81	82	83	84	88	A	2001-09-14	CONVERSION REVISION 01
																			B	2002-05-28	EC 820086	MF														
																			C	2005-11-07	105-0221	ALEX B	BKP													
																			D	2006-08-03	106-0119	ALEX B	BKP													

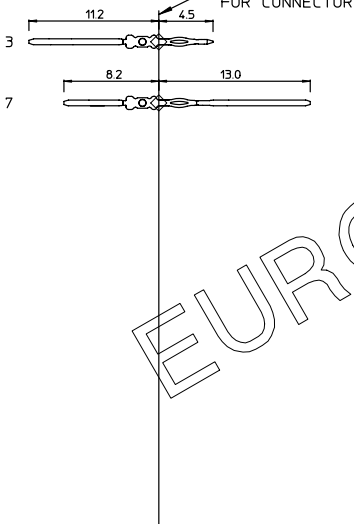
**LOADING PATTERN MATING SIDE**



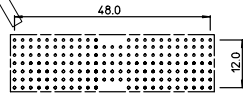
**LOADED CONNECTOR ASSEMBLY (FOR EXAMPLE)**



**CONTACT OVERVIEW**



**LAY-OUT P.C.B.-HOLE**



LEAD FREE INDICATOR : LF = LEAD FREE (DIGIT 15 & 16)

HM2P65PK5111

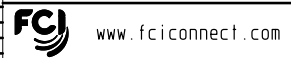
PLATING CODE (DIGIT 13 AND 14) (REF DWG No. BS.C , 201844,003)

**NOTES:**

1. THIS PRODUCT IS CSA APPROVED.
2. THIS PRODUCT IS UL RECOGNIZED.
3. MEASURED AT THE BOTTOM.
4. MATERIAL CONTACT: PHOSPHORBRONZE HOUSING: CREAM WHITE GLASSFILLED POLYESTER UL-94V0
5. CONNECTOR PRINTED WITH P/N AND DATE CODE
6. FOR ACTUAL CONTACT LOADINGS, SEE LOADING PATTERN MATING SIDE.
7. SHAPE OF CONNECTOR HOUSING CAN ALTER DEPENDING ON PRODUCTION LOCATION.
8. THE PRODUCT (LF) MEETS EUROPEAN UNION DIRECTIVES AND OTHER COUNTRY REGULATIONS AS DESCRIBED IN GS-22-008
9. FOR RECOMMENDED PTH DIMENSIONS REFER DRAWING : BS.A , 201572,001

EUROPEAN PROJECT

1DEC +0.2 2DEC +0.1 ANGLES ±1°	APPR. DRAFT CHECKED	DATE 2000-04-27	SIGN. M.Fret	LOADING PATTERN OVERVIEW
WE RESERVE THE RIGHT TO CHANGE DIMENSIONS OR REQUIREMENTS WITHOUT PRIOR NOTICE.	PROD. MGR. PR. ENG. MGR. PR. MGT. MGR.			CAT. No. HM2P65PK5111----
ALL DIMENSIONS IN MM				SCALE



THIS IS OUR EXCLUSIVE PROPERTY. IT IS NOT TO BE COPIED, REPRINTED OR DISCLOSED TO A THIRD PARTY. NOT USED FOR MANUFACTURING WITHOUT OUR WRITTEN CONSENT. AND HAS TO BE RETURNED TO US IN CASE OF NO USAGE

DIT IS ONZE EIGENDOM EN MAG NIEMAND KOPEN, HERKOPEN, OVERNEMEN AAN DERDEN, NIEMAND TOEGELATEN OF VERPULST WERKEN, ZONDER ONZE SCHRIFTELIJKE TOELATING. BIJ NIET GEWIK IS TERUGGEVEN VERPLICHT.

PDM: Rev:D

STATUS: Revised CUSTOMER DRAWING REVISION

BS.C , 201843,975 D