

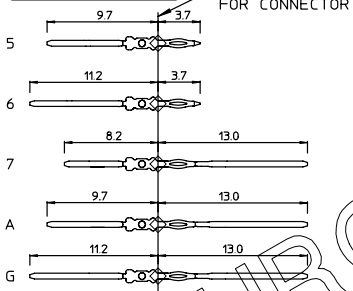
BS,C ,202788,046	D	GEN. ST.	01	02	03	04	05	06	07	08	0D	50	60	70	80	90	REV.	DATE	DESCRIPTION	BY	C 'K' D'
		INT. ST.	10	11	12	13	14	18	20	31	32	33	34	38	39	40	A	2001-09-14	CONVERSION REVISION 03	KN	
																	B	2002-05-28	EC B20086	MF	
																	C	2005-10-20	105-0201	VIVEX	BKP
																	D	2006-08-09	106-9145	VIVEX	BKP

LOADING PATTERN MATING SIDE

f	6	6	6	6	6	6	6	6	6	6	6	6	6	6	6	6	6	6	6	6	6
e	G	7	7	G	A	A	A	A	A	A	A	6	5	5	5	5	5	5	5	5	5
d	G	7	7	G	A	A	A	A	A	A	A	6	5	5	5	5	5	5	5	5	5
c	G	G	G	G	A	A	A	A	A	A	A	6	5	5	5	5	5	5	5	5	5
b	G	7	7	G	A	A	A	A	A	A	A	6	5	5	5	5	5	5	5	5	5
q	G	7	7	G	A	A	A	A	A	A	A	6	5	5	5	5	5	5	5	5	5
z	0	0	0	0	0	0	0	0	0	0	0	0	0	0	0	0	0	0	0	0	0
SOP	0																				
	1																				
				0																	

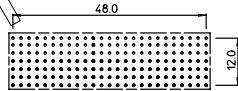
NOTE : NOT TO BE MATED WITH A FREE BOARD CONNECTOR.
 LEVEL 3 IN ROW B IS NOT ALLOWED PER IEC 1076-4-101.

CONTACT OVERVIEW

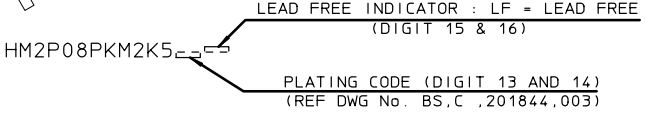
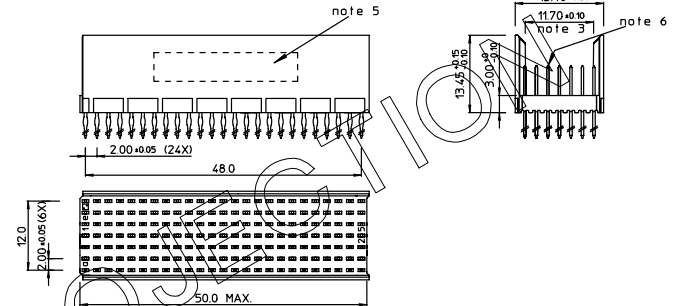


SEATING PLANE FOR CONNECTOR

LAY-OUT P.C.B. -HOLE



LOADED CONNECTOR ASSEMBLY (FOR EXAMPLE)



NOTES:

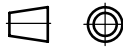
- 1. Inq_commandDUCT IS CSA APPROVED.
- 2. THIS PRODUCT IS UL RECOGNIZED.
- 3. MEASURED AT THE BOTTOM.
- 4. MATERIAL CONTACT: PHOSPHORBRONZE
 HOUSING: CREAM WHITE GLASSFILLED POLYESTER UL-94V0
- 5. CONNECTOR PRINTED WITH P/N AND DATE CODE.
- 6. FOR ACTUAL CONTACT LOADINGS, SEE LOADING PATTERN MATING SIDE.
- 7. SHAPE OF CONNECTOR HOUSING CAN ALTER DEPENDING ON PRODUCTION LOCATION.
- 8. THE PRODUCT (LF) MEETS EUROPEAN UNION DIRECTIVES AND OTHER COUNTRY REGULATIONS AS DESCRIBED IN GS-22-008
- 9. FOR RECOMMENDED PTH DIMENSIONS REFER DRAWING : BS,A ,201572,001

1DEC +0.2	APPR.	DATE	SIGN.	MPACS 5+2R STR HDR SG PF ASSY TYPE B
2DEC +0.1	DRAFT	2000-10-02	M.Fret	CAT. No. HM2P08PKM2K5----
ANGLES ±1°	CHECKED			SCALE
WE RESERVE THE RIGHT TO CHANGE DIMENSIONS OR REQUIREMENTS WITHOUT PRIOR NOTICE.	PROD. MGR.			www.fcconnect.com
ALL DIMENSIONS IN MM	PR. ENG. MGR.			
	PR. MGT. MGR.			BS,C ,202788,046
REFERENCES				
				DRAWING No. CUSTOMER DRAWING REVISION
				Printed: Dec. 03. 2007

EUROPEAN PROJECT

THIS IS OUR EXCLUSIVE PROPERTY. IT IS NOT TO BE COPIED, REPRINTED OR DISCLOSED TO A THIRD PARTY, NOR USED FOR MANUFACTURING WITHOUT OUR WRITTEN CONSENT, AND HAS TO BE RETURNED TO US IN CASE OF NO USAGE

DIT IS ONZE EIGENDOM EN MAG NOCH NAAGHAAKT, HERDRUKT, OVERGEHAAN AAN DERDEN, NOCH VOOR FABRICATIE GEBRUIKT WORDEN. ZONDER ONZE SCHRIFTELIJKE TOELAATING, BIJ NIET GEBRUIK IS TERUGGEGEVEN VEZUPLIET.



PDM: Rev:D STATUS: Released