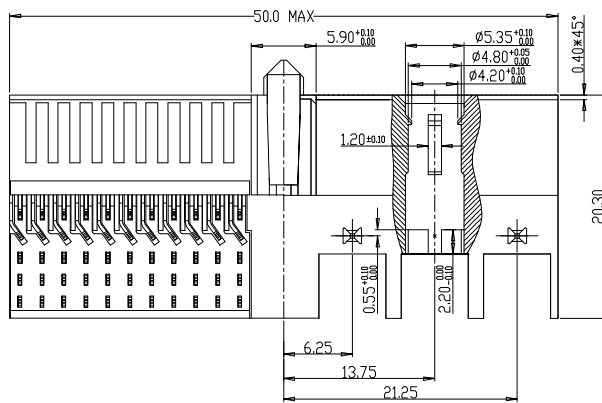
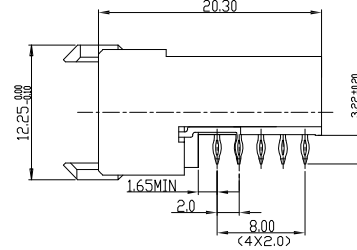
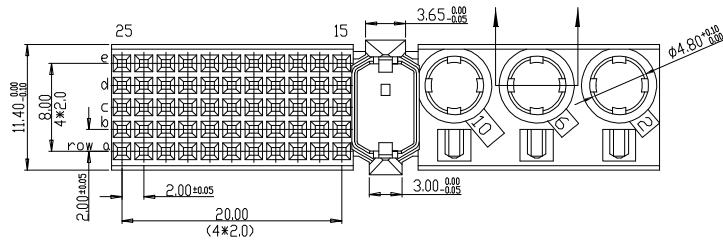


Tous droits strictement reserves. Reproduction ou communication a des tiers interdite sous quelque forme que ce soit sans autorisation écrite du propriétaire. Propriete de c fci. droits de reproduction fci.



All rights strictly reserved. Reproduction or issue to third parties in any form whatever is not permitted without written authority from the proprietor. Property of FCI. Copyright FCI.



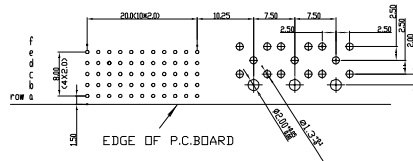
PERFORMANCE CHARACTERISTICS

CURRENT RATING: 1.5 A AT 20°C (FULLY LOADED)
 1 A AT 70°C (FULLY LOADED)
 RATED VOLTAGE: 500 V AC (CONT /CONT)
 OPERATING TEMPERATURE: -55°C TO 125°C
 CONTACT RESISTANCE: 20 mΩ MAX
 INSERTION FORCE: 0.75N MAX/CONT
 EXTRACTION FORCE: 0.15N MIN /CONT
 INSULATION RESISTANCE: 10⁴ MΩ MIN

NOTES

- LEAD FREE INDICATOR -LF=LEAD FREE
- PERFORMANCE LEVEL INDICATOR (REF DWG NO.BS.C.201844.003)
- THIS PRODUCT IS CSA APPROVED. THIS PRODUCT IS UL RECOGNIZED.
- FOR RECOMMENDED PTH DIMENSIONS REFER DRAWING :BS.A.201572.001
- THIS PRODUCT (LF) MEETS EUROPEAN UNION DIRECTIVES AND OTHER COUNTRY REGULATIONS AS DESCRIBED IN GS-22-008

LAY-OUT P.C.B.- HOLE



rev	ecn no	dr	date
A	CONVERSION ALUMINUM IN	BKP	16-02-04
B	DG05-0361	Kosor	10-10-05
C	DG10-0110	NZ	2010.9.3

Material		Spec ref	
Mat code		tolerance	projection
Heattreat		1DEC+02 1REC 2REC + 0.10 2REC ANGLES+1H05K04	MM
Plating/Finish		size	Scale
Dr	W.Panis	070492	A4 1:500
Eng		Product family	MILLIPICS
Chr		Model Name	ECN
Appr		Model Revision	REL Level
		title	Rev.
Pro/E file		catalog no	CUMSTOMER
		HM2R50PA5100----	sheet 1 of 1
		eng no	BS,C ,201418,024
			C

1

2

3

4

PDM: Rev:C

STATUS:Released

Printed: Mar. 15, 2011