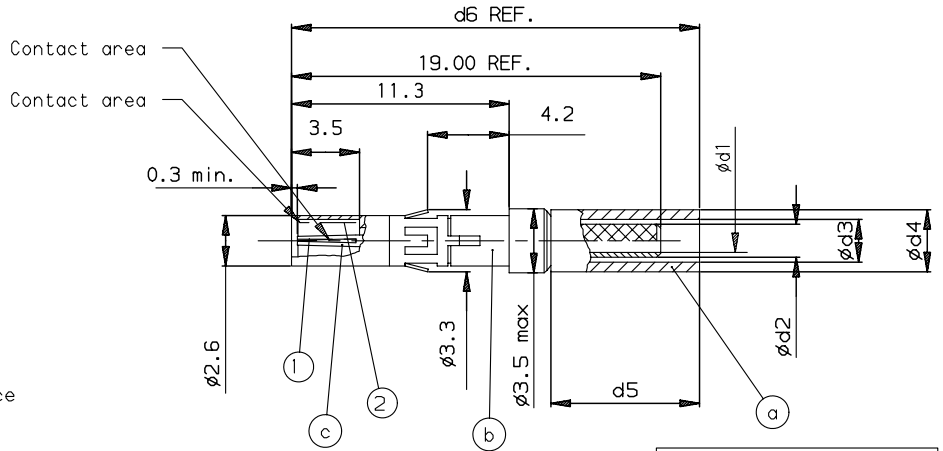
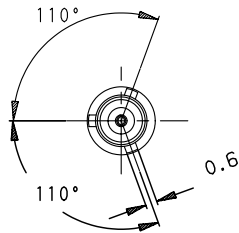


LEAD-FREE P/N	CABLES	Ød1	Ød2	Ød3	Ød4	d5	d6	Remarks
70297-001LF	RG 178B/U, RG196A/U TZC_50126	1.10	1.70	2.20	3.20	7.8	21.00	
70297-002LF	RG188A/U, RG174A/U, RG316/U	1.70	2.50	2.90	3.60	9.0	22.20	
70297-004LF	TZC_75106 (GORE CABLE) 75ohm	1.30	2.00	2.50	3.20	7.8	21.00	see note 2
70297-005LF	RG 179 75ohm	1.70	2.50	2.90	3.60	9.0	22.20	see note 2
70297-006LF	FILOTEX CABLE ALCATEL	1.30	2.00	2.50	3.20	7.8	21.00	see note 2



1.27µm Au Min.  
Positions 1&2  
Plating on contact area

- NOTES:
- 1 ALL dimensions shown are references.
  - 2 When used with 75 ohm cables the performance of the contact will be lower.
  - 3 Pull out force of center contact must be 0.1 N min. / 0.8 N max.
  - 4 This product will be packed in a small plastic bag containing three loose parts, as follows.
    - a) Crimp Ferrule
    - b) Outer Contact
    - c) Inner Contact
  - 5 Assemble product with tool HT430, use inserts EPL 193460 or EPL 193428.
  - 6 THIS PRODUCT WITH "LF" SUFFIX MEETS EUROPEAN UNION DIRECTIVES AND OTHER COUNTRY REGULATIONS AS DESCRIBED IN GS -22-008.
  - 7 THE PRODUCT IS NOT INTENDED TO BE EXPOSED TO A MANUFACTURING SOLDER PROCESS.
  - 8 PACKAGING SPEC: SEE GS-14-920

rev	ecn no	dr	date
J	LS06-0022	LGO	2006/03/04
K	LS07-0214	LGO	2007/08/20
L	LS07-0249	LGO	2007/10/02
-	-	-	-
-	-	-	-
-	-	-	-

www.fciconnect.com		surface ISO 1302	tolerance std ISO 406 ISO 1101	projection mm
TOLERANCES UNLESS OTHERWISE SPECIFIED				
Dr	GOISNARD	2006/03/04	ANGULAR	0.X ±0.1
Eng	GOISNARD	2006/03/04	LINEAR	0.XX ±0.1
Chr	LEGARE	2006/03/04	0.1M ±2	0.XXX ±0.1
Appr	LEGARE	2006/03/04	Product family	METRAL
Title CRIMP TO CABLE			size A3	Scale 5
RECEPTACLE MINI COAX			ECN LS07-0249	Spec ref -
catalog no			Part no 70297	Rev. L
			CUSTOMER	sheet 1 of 1