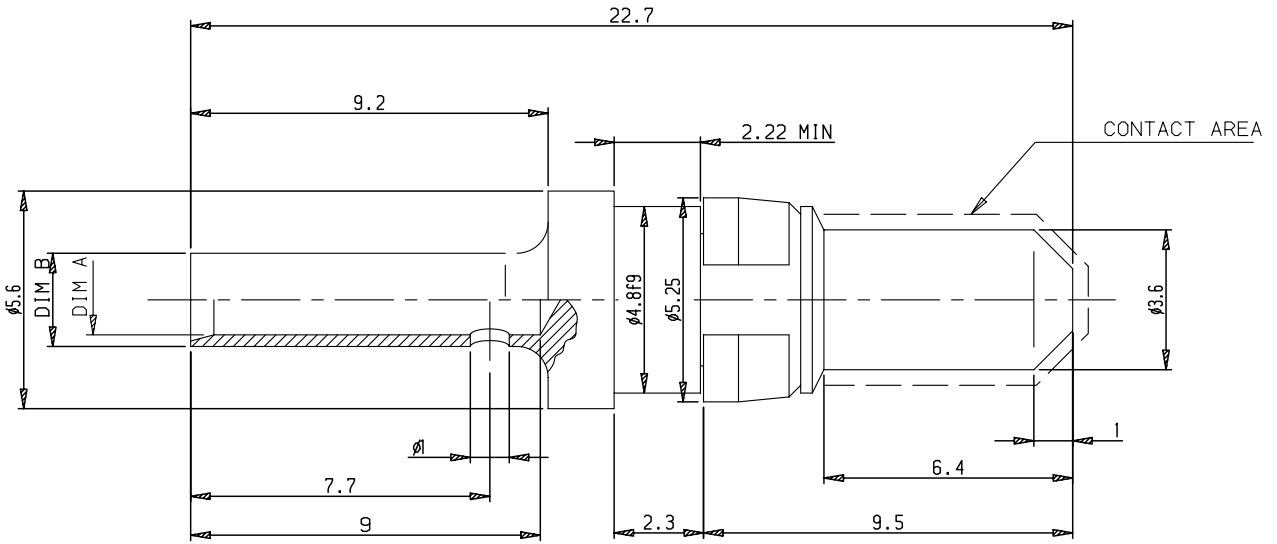


LEAD-FREE P/N	CURRENT RATING	DIM A	DIM B
77428-X41LF	40A	ø4.8	ø5.6
77428-X31LF	30A	ø3.5	ø4.4
77428-X21LF	20A	ø2.8	ø3.7
77428-X11LF	10A	ø1.7	ø2.55



1. UNDERPLATING NI.
2. DIM. ACC. DIN 41626.
3. THIS PRODUCT WITH "LF" SUFFIX MEETS EUROPEAN UNION DIRECTIVES AND OTHER COUNTRY REGULATIONS AS DESCRIBED IN GS -22-008.
4. THE PRODUCT IS NOT INTENDED TO BE EXPOSED TO A MANUFACTURING SOLDER PROCESS.
5. PACKAGING SPEC: SEE GS-14-920

1	1.3 um Au MIN
PLATING CODE X	CONTACT AREA

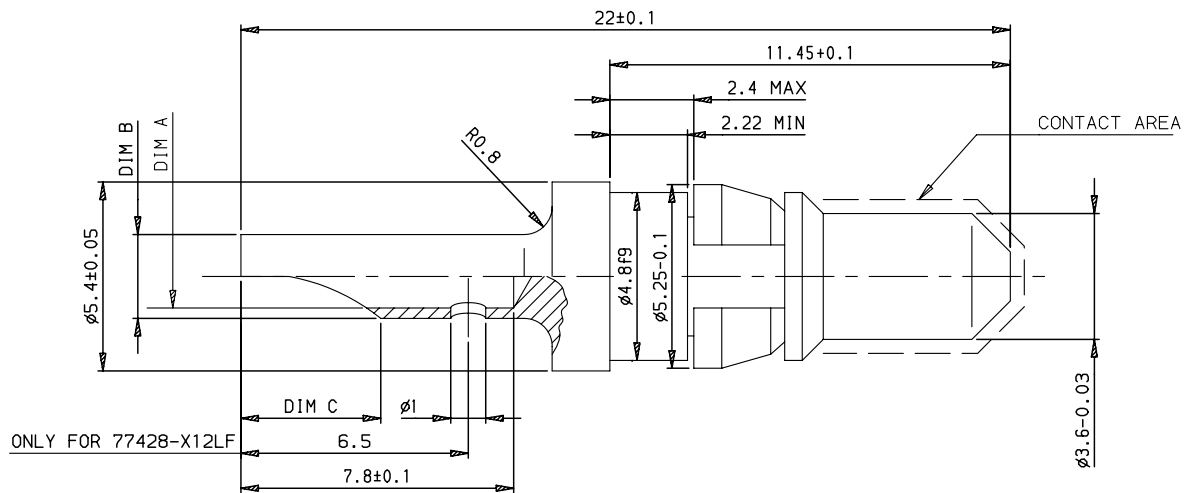
rev	ecn no	dr	date
H	LS06-0022	LGO	2006/03/06
J	LS07-0214	LGO	2007/08/20
K	LS07-0249	LGO	2007/10/08
-	-	-	-
-	-	-	-
-	-	-	-

www.fciconnect.com		surface ISO 1302	tolerance std ISO 406 ISO 1101	projection A3	mm
TOLERANCES UNLESS OTHERWISE SPECIFIED					
Dr	GOISNARD	2006/03/06	ANGULAR	0.X	±0.1
Eng	GOISNARD	2006/03/06	LINEAR	0.XX	±0.1
Chr	LEGARE	2006/03/06	0.XX	0.XXX	±0.1
Appr	LEGARE	2006/03/06	Product family	BACKPANEL	Spec ref -
FCj			title POWER INSERT	dwg no 77428	Rev. K
catalog no			MALE STRAIGHT C.T.W		CUSTOMER sheet 1 of 7

REV F - 2006-04-17

PDM: Rev:K STATUS: Released Printed: Oct 01, 2010

LEAD-FREE P/N	CURRENT RATING	DIM A	DIM B	DIM C
77428-X42LF	40A	ø4.8	ø5.6	5.2
77428-X32LF	30A	ø3.5	ø4.4	5.2
77428-X22LF	20A	ø2.8	ø3.7	4
77428-X12LF	10A	ø1.7	ø2.55	3



NOTES:

1. UNDERPLATING NI.
2. DIM. ACC. DIN 41626.
3. GEN. TOL.±0.10
4. THIS PRODUCT WITH "LF" SUFFIX MEETS EUROPEAN UNIDIRECTIVES AND OTHER COUNTRY REGULATIONS AS DESCRIBED IN GS -22-008.
5. THE PRODUCT IS NOT INTENDED TO BE EXPOSED TO A MANUFACTURING SOLDER PROCESS.
6. PACKAGING SPEC: SEE GS-14-920

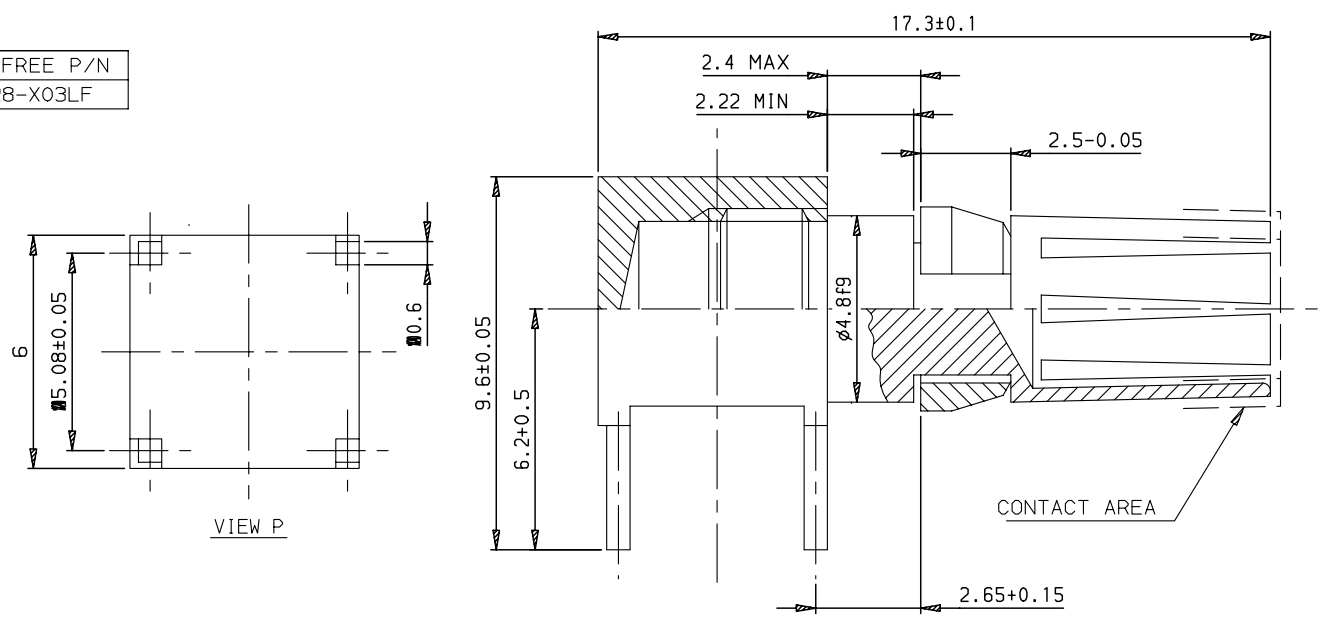
1	1.3 µm Au MIN
PLATING CODE X	CONTACT AREA

European Views

www.fciconnect.com		surface ISO 1302	tolerance std ISO 406 ISO 1101	projection mm
TOLERANCES UNLESS OTHERWISE SPECIFIED				
Dr	GOISNARD	2006/03/06	ANGULAR	0.X ±0.1
Eng	GOISNARD	2006/03/06	LINEAR	0.XX ±0.1
Chr	LEGARE	2006/03/06	0.XX ±2	0.XXX ±0.1
Appr	LEGARE	2006/03/06	Product family	BACKPANEL
Title POWER INSERT			size A3	Scale 9
Title MALE STRAIGHT S.T.W			ECN LS07-0249	Spec ref -
catalog no			Rev. 77428	Rev. K
CUSTOMER			sheet 2 of 7	

PDM: Rev:K STATUS:Released Printed: Oct 01, 2010

LEAD-FREE P/N  
77428-X03LF



VIEW P

CONTACT AREA

- NOTES:
1. UNDERPLATING NI.
  2. DIM. ACC. DIN 41626.
  3. GEN. TOL. ±0.10
  - 5 THIS PRODUCT WITH "LF" SUFFIX MEETS EUROPEAN UNION DIRECTIVES AND OTHER COUNTRY REGULATIONS AS DESCRIBED IN GS -22-008.
  - 6 THE HOUSING WILL WITHSTAND EXPOSURE TO 260 DEGREE PEAK TEMPERATURE FOR 20 SECONDS IN WAVE SOLDER APPLICATION WITH A 1.6 MM MINIMUM THICK CIRCUIT BOARD.
  7. PACKAGING SPEC: SEE GS-14-920

2	0.8 μm Au MIN
1	1.3 μm Au MIN
PLATING CODE X	CONTACT AREA

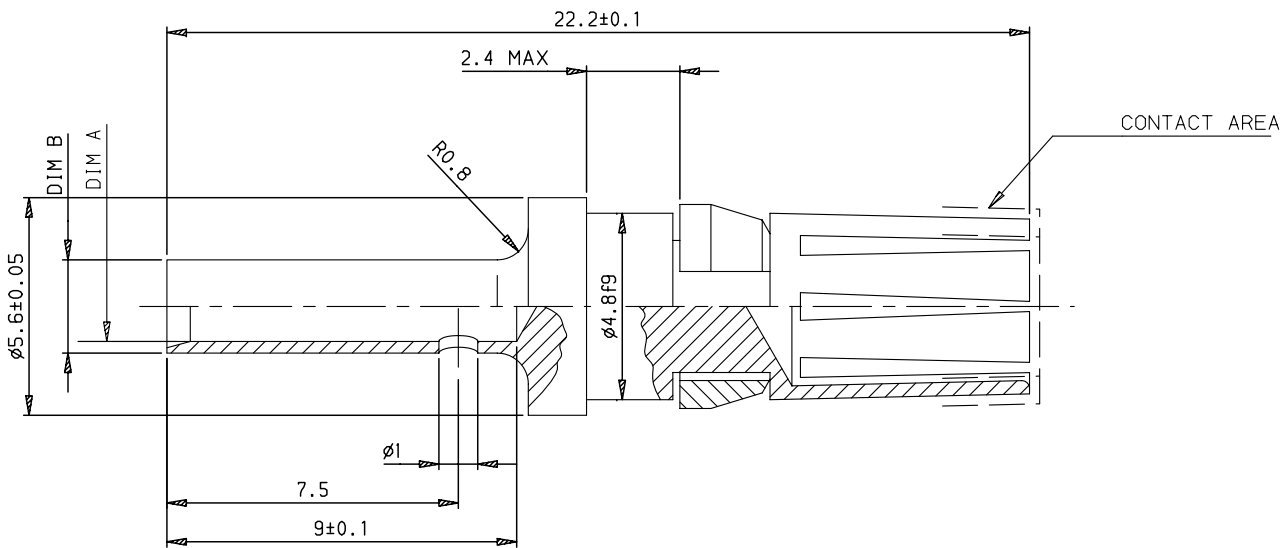
www.fciconnect.com		surface ISO 1302	tolerance std ISO 406 ISO 1101	projection FIRST ANGLE	mm
TOLERANCES UNLESS OTHERWISE SPECIFIED					
Dr	GOISNARD	2006/03/06	ANGULAR	0.X	±0.1
Eng	GOISNARD	2006/03/06	LINEAR	0.XX	±0.1
Chr	LEGARE	2006/03/06	0.XX	0.XXX	±0.1
Appr	LEGARE	2006/03/06	0.XX ±2	ECN	LS07-0249
Product family			BACKPANEL	Spec ref	-
		<b>TITLE</b> POWER INSERT FEMALE R.A. S.T.B		<b>REV. NO</b> 77428	<b>REV.</b> K
catalog no			-	CUSTOMER sheet 3 of 7	

European Views

Copyright FCj

REV F - 2006-04-17

LEAD-FREE P/N	CURRENT RATING	DIM A	DIM B
77428-X44LF	40A	ø4.8	ø5.6
77428-X34LF	30A	ø3.5	ø4.4
77428-X24LF	20A	ø2.8	ø3.7
77428-X14LF	10A	ø1.7	ø2.55



NOTES:

1. UNDERPLATING NI.
2. DIM. ACC. DIN 41626. UNLESS OTHERWISE STATED
3. GEN. TOL. ±0.10
4. THIS PRODUCT WITH "LF" SUFFIX MEETS EUROPEAN UNION DIRECTIVES AND OTHER COUNTRY REGULATIONS AS DESCRIBED IN GS -22-008.
5. THE PRODUCT IS NOT INTENDED TO BE EXPOSED TO A MANUFACTURING SOLDER PROCESS.
6. PACKAGING SPEC: SEE GS-14-920

1	1.3 µm Au MIN
PLATING CODE X	CONTACT AREA

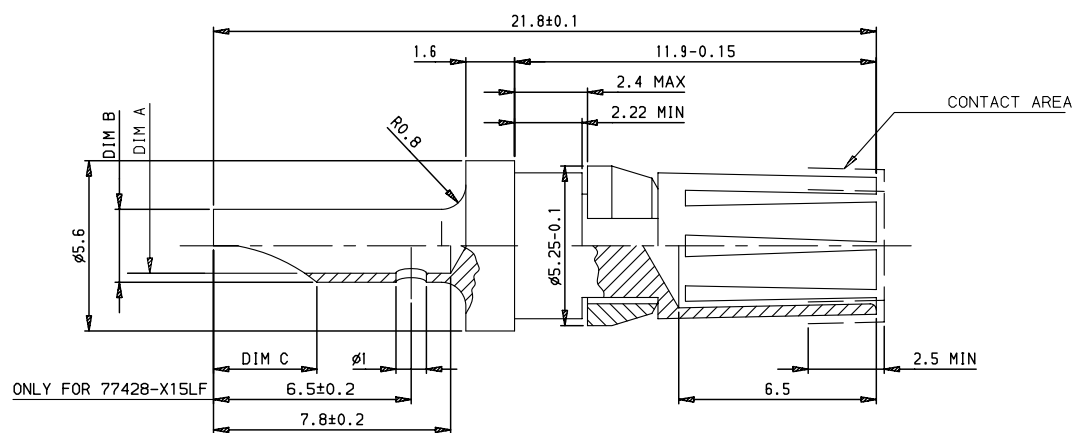
European Views

www.fciconnect.com		surface ISO 1302	tolerance std ISO 406 ISO 1101	projection ISO 1101	mm
TOLERANCES UNLESS OTHERWISE SPECIFIED					
Dr	GOISNARD	2006/03/06	ANGULAR	0.X	±0.1
Eng	GOISNARD	2006/03/06	LINEAR	0.XX	±0.1
Chr	LEGARE	2006/03/06	0.XX	0.XXX	±0.1
Appr	LEGARE	2006/03/06	0.XX ±2°	0.XXX	±0.1
Product family			BACKPANEL		
Title POWER INSERT				size A3	
FEMALE STRAIGHT C.T.W				Scale 10	
catalog no				ECN LS07-0249	
-				Spec ref -	
FCJ				Rev. K	
77428				-	
CUSTOMER				sheet 4 of 7	

REV F - 2006-04-17

PDM: Rev:K STATUS: Released Printed: Oct 01, 2010

LEAD-FREE P/N	CURRENT RATING	DIM A	DIM B	DIM C
77428-X45LF	40A	ø4.8	ø5.6	5.2
77428-X35LF	30A	ø3.5	ø4.4	5.2
77428-X25LF	20A	ø2.8	ø3.7	4
77428-X15LF	10A	ø1.7	ø2.55	3

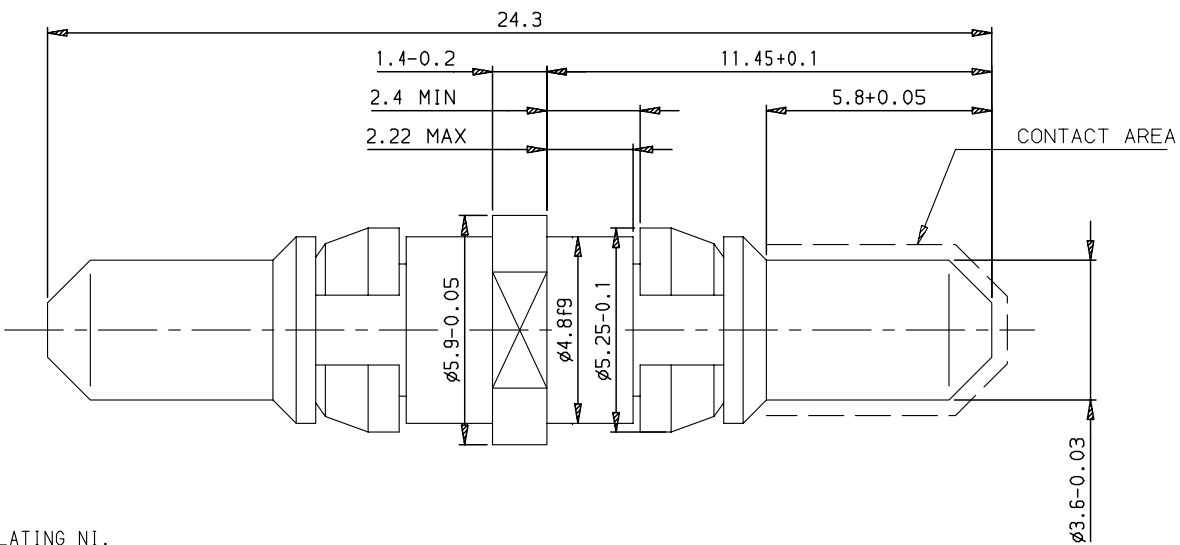


- NOTES:
1. UNDERPLATING NI.
  2. DIM. ACC. DIN 41626.
  3. GEN. TOL. ±0.10
  4. THIS PRODUCT WITH "LF" SUFFIX MEETS EUROPEAN UNION DIRECTIVES AND OTHER COUNTRY REGULATIONS AS DESCRIBED IN GS -22-008.
  5. THE PRODUCT IS NOT INTENDED TO BE EXPOSED TO A MANUFACTURING SOLDER PROCESS.
  6. PACKAGING SPEC: SEE GS-14-920

1	1.3 µm Au MIN
PLATING CODE X	CONTACT AREA

www.fciconnect.com		surface ISO 1302	tolerance std ISO 406 ISO 1101	projection ISO 1101	mm
TOLERANCES UNLESS OTHERWISE SPECIFIED					
Dr	GOISNARD	2006/03/06	ANGULAR	0.X	±0.1
Eng	GOISNARD	2006/03/06	LINEAR	0.XX	±0.1
Chr	LEGARE	2006/03/06	0.XX	0.XXX	±0.1
Appr	LEGARE	2006/03/06	Product family	BACKPANEL	Spec ref -
FCj		title POWER INSERT		Rev. K	
catalog no		77428		CUSTOMER sheet 5 of 7	

LEAD-FREE P/N  
77428-X06LF



NOTES:

1. UNDERPLATING NI.
2. DIM. ACC. DIN 41626.
3. GEN. TOL. ±0.10
4. THIS PRODUCT WITH "LF" SUFFIX MEETS EUROPEAN UNION DIRECTIVES AND OTHER COUNTRY REGULATIONS AS DESCRIBED IN GS-22-008.
5. THE PRODUCT IS NOT INTENDED TO BE EXPOSED TO A MANUFACTURING SOLDER PROCESS.
6. PACKAGING SPEC: SEE GS-14-920

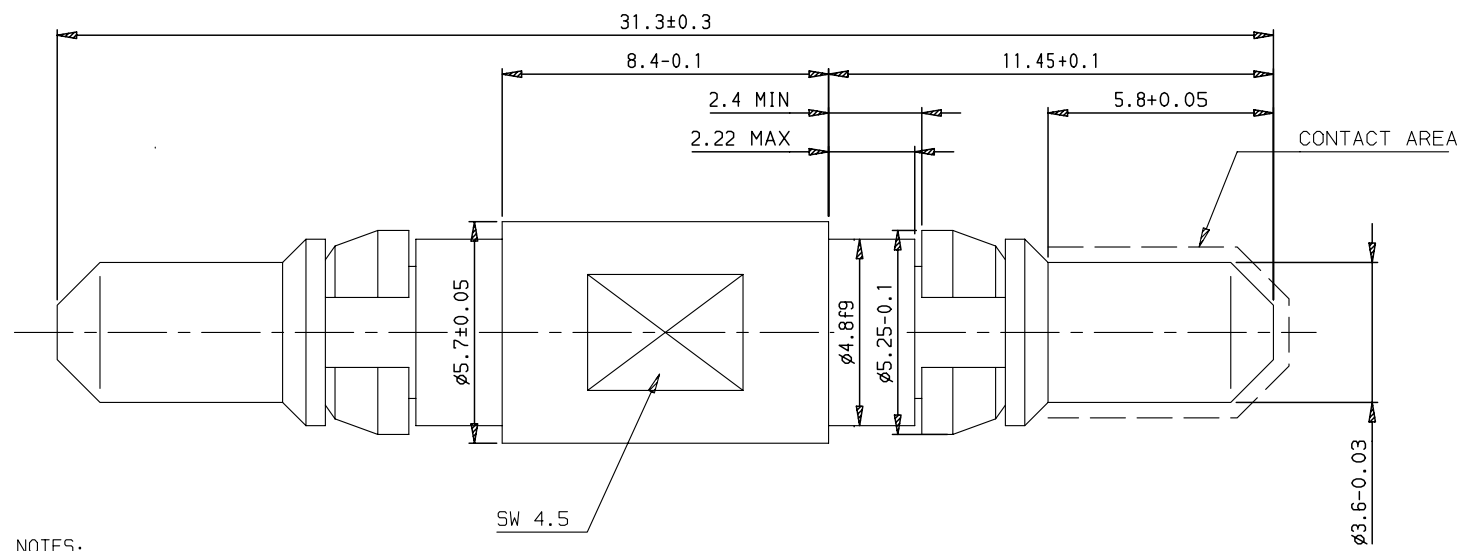
1	1.3 μm Au MIN
PLATING CODE X	CONTACT AREA

European Views

www.fciconnect.com		surface ISO 1302	<input checked="" type="checkbox"/>	tolerance std ISO 406 ISO 1101	projection 	mm
TOLERANCES UNLESS OTHERWISE SPECIFIED						
Dr	GOISNARD	2006/03/06	ANGULAR	0.X	±0.1	size A3
Eng	GOISNARD	2006/03/06	LINEAR	0.XX	±0.1	Scale 10
Chr	LEGARE	2006/03/06	0.XX	0.XXX	±0.1	ECN LS07-0249
Appr	LEGARE	2006/03/06	0.XX ±2	Product family	BACKPANEL	Spec ref -
		Title POWER COUPLER			Rev. K	
catalog no		-			dwg no 77428	CUSTOMER sheet 6 of 7

REV F - 2006-04-17

LEAD-FREE P/N  
77428-X07LF



- NOTES:
1. UNDERPLATING NI.
  2. DIM. ACC. DIN 41626.
  3. GEN. TOL.±0.10
  4. THIS PRODUCT WITH "LF" SUFFIX MEETS EUROPEAN UNIDIRECTIVES AND OTHER COUNTRY REGULATIONS AS DESCRIBED IN GS -22-008.
  5. THE PRODUCT IS NOT INTENDED TO BE EXPOSED TO A MANUFACTURING SOLDER PROCESS.
  6. PACKAGING SPEC: SEE GS-14-920

1	1.3 µm Au MIN
PLATING CODE X	CONTACT AREA

www.fciconnect.com		surface ISO 1302	tolerance std ISO 406 ISO 1101	projection European Views	mm
TOLERANCES UNLESS OTHERWISE SPECIFIED					
Dr	GOISNARD	2006/03/06	ANGULAR	0.X	±0.1
Eng	GOISNARD	2006/03/06	LINEAR	0.XX	±0.1
Chr	LEGARE	2006/03/06	0.XX	0.XXX	±0.1
Appr	LEGARE	2006/03/06	Product family		BACKPANEL
Title			Spec ref		size
POWER COUPLER			-		A3
MALE LONG			-		Scale
catalog no			-		10
-			-		ECN
-			-		LS07-0249
-			-		Rev.
-			-		K
-			-		Customer sheet 7 of 7

REV F - 2006-04-17