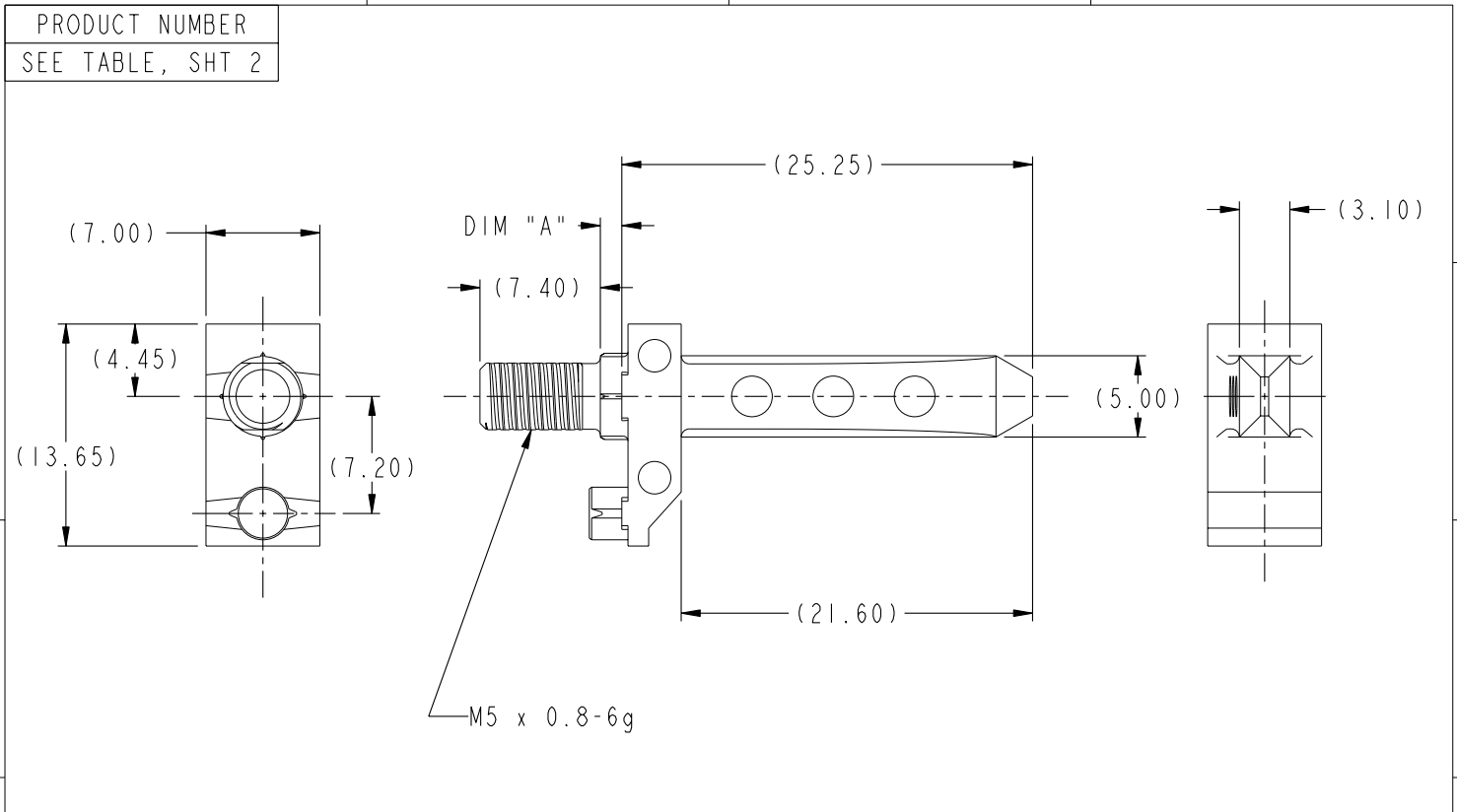


Tous droits strictement réservés. Reproduction ou communication des tiers interdite sous quelque forme que ce soit sans l'autorisation écrite du propriétaire. Property of FCI. - Copyright FCI.



All rights strictly reserved. Reproduction or issue to third parties in any form whatever is not permitted without written authorization of the owner. Property of FCI. - Copyright FCI.



www.fciconnect.com		surface <input checked="" type="checkbox"/> ASME Y14.5	tolerance <input checked="" type="checkbox"/> ASME Y14.5	projection	MM			
Dr	T.HOUTZ	1/24/05	Product family	AirMax ACCESSORIES	size	A4	Scale	3:1
Eng	H.NGO	1/24/05	Spec ref	-				
Chr	H.NGO	1/24/05	Material	SEE NOTES	ECN	-		
Appr	H.NGO	1/24/05						
title 7.2mm VERTICAL GUIDE PIN 2/3 PR, 25.25mm LONG					no. 10045368	Rev. A		
catalog no 10045368-001			CUSTOMER		sheet 1 of 2			

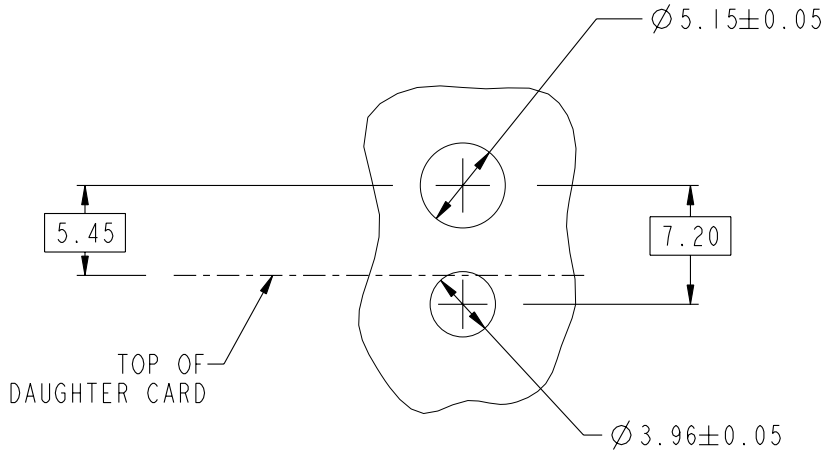
PDM: Rev:A STATUS:Released ⁴Printed: Dec 01, 2010

Tous droits strictement réservés. Reproduction ou communication à des tiers interdite sous quelque forme que ce soit sans l'autorisation écrite de la propriété de FCI. Droits de reproduction FCI.



All rights strictly reserved. Reproduction or issue to third parties in any form whatever is not permitted without written permission of FCI. Copyright FCI.

PART NUMBER	DIM "A"
10045368-101LF	1.32
10045368-102LF	2.60
10045368-103LF	4.20
10045368-104LF	5.70
10045368-105LF	7.30



NOTES:

1. MATERIAL: ZINC ALLOY.
2. FINISH: CHROMATE.
- ③ REFER TO CUSTOMER DRAWING 10035911 FOR INFORMATION REGARDING PCB LAYOUT OF POWER AND GUIDE MODULES RELATIVE TO SIGNAL MODULES.
- 4 THIS PRODUCT MEETS EUROPEAN UNION DIRECTIVES AND OTHER COUNTRY REGULATIONS AS DESCRIBED IN GS-22-008.
- 5 PACKAGING MEETS GS-14-920 LEAD FREE LABELING SPECIFICATION.

SEE NOTE 3
SCALE 3:1

title	7.2mm VERTICAL GUIDE PIN 2/3 PR, 25.25mm LONG	dwg no	10045368	Rev.	A
catalog no	10045368-001	CUSTOMER	sheet 2 of 2		

PDM: Rev:A

STATUS:Released

Printed: Dec 01, 2010