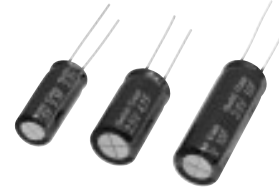


### Radial lead Type

Series: **HZ**



#### ■ Features

- Miniaturized, High withstand voltage
- Can be discharge mA or more current
- RoHS directive compliant

#### ■ Recommended Applications

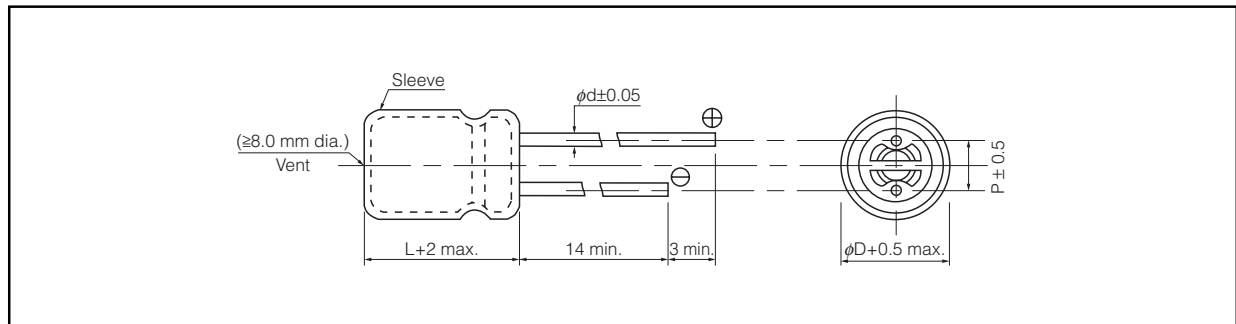
- Solar battery operated circuits
- Back-up Power Supplies (UPS)

#### ■ Specifications

Category Temp. Range	-25 °C to +60 °C		
Maximum Operating Voltage	2.5 V.DC		
Nominal Cap. Range	3.3 F	4.7 F	10 F
Capacitance Tolerance	-20 % to +40 %		
Characteristics at Low Temperature	Capacitance change	±30 % of initial measured value at 20 °C (at -25 °C)	
	Internal resistance	≤4 times of initial specified value. (at -25 °C)	
Endurance	After 1000 hours application of 2.5 V at +60 °C		
	Capacitance change	±30 % of initial measured value at 20 °C	
Shelf Life	After 1000 hours storage at +60 °C without load (voltage)		
	Capacitance change	±30 % of initial measured value at 20 °C	
Internal resistance	≤4 times of initial specified value.		

#### ■ Dimensions in mm (not to scale)

(Unit : mm)



#### ■ Standard Products

Category temp. range (°C)	Max. Operating Voltage (V.DC)	Capacitance (F)	Internal resistance (Initial specified value) (Ω) at 1 kHz	Size (mm)				Part number	Mass (g)	Min. Packaging Q'ty (pcs)
				φD	L	φd	P			
-25 to +60	2.5	3.3	≤0.3	8.0	20	0.6	3.5	EECHZ0E335	1.5	200
		4.7	≤0.3	10	20	0.6	5.0	EECHZ0E475	2.1	200
		10	≤0.2	10	30	0.6	5.0	EECHZ0E106	3.1	200

Note : 1. Do not use reflow soldering. (IR, Atmosphere heating methods, etc. )  
Please refer to EE208 "Mounting Specifications".

Design and specifications are each subject to change without notice. Ask factory for the current technical specifications before purchase and/or use.  
Should a safety concern arise regarding this product, please be sure to contact us immediately.

00 Sep. 2010