



Home > Products & Solutions > ZSP Reference Silicon > VSI402ZX

- Products & Solutions**
- V.Library Foundry Libraries
 - V.Blox IP Libraries
 - ZSP Licensable Cores
 - ARM Cores
 - Application Platforms
 - ZSP Reference Silicon**
 - VSI403US
 - VSI403WLP
 - VSI403LC
 - VSI403LP
 - VSI402ZX**

VSI402ZX

VSI402ZX
 High performance DSP with 124 kwords on-chip RAM - 170/200 MHz



The VSI402ZX DSP is designed for applications that require high data throughput capability coupled with high-speed I/O, such as communications infrastructure equipment, and offers enhanced I/O capabilities and large on-chip memory.

A key competitive advantage of ZSP® Reference Silicon Products is the ability for customers to later migrate to system-on-chip integration for further cost reduction, while leveraging their software investment. ZSP technology is the only DSP solution in the market available in all three forms: ZSP Reference Silicon Product, ASIC core and licensable IP.

Combined with available production ZSP software for industry-standard algorithms, system designers can benefit immediately from the VSI402ZX device.

Marketing Part: VSI402ZX

Ordering Part: VSI402ZX-170; VSI402ZX-200

Ordering Part #	Frequency	Peak MIPS	Package
VSI402ZX-170	170	680	208 mBGA
VSI402ZX-200	200	800	208 mBGA

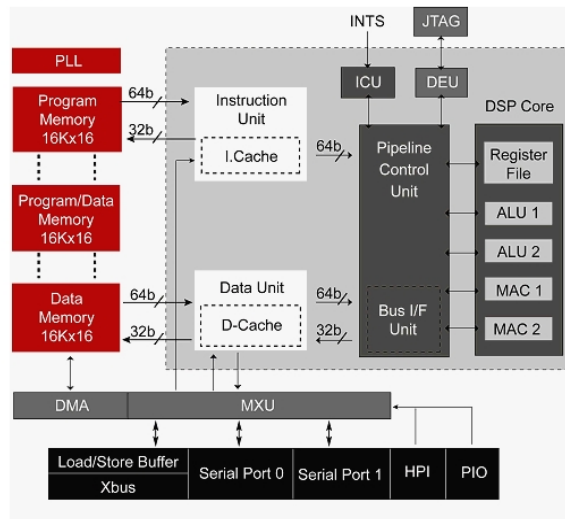
Features

- ▶ 16-bit fixed-point DSP (200 MHz/ 800 MIPS)
- ▶ 62kW instruction / 62kW data memory
- ▶ 16/32 ext. memory interface
- ▶ Two high-speed TDM serial ports
- ▶ 16-bit host port interface (HPI)
- ▶ 8-channel DMA controller
- ▶ Two 16-bit timers
- ▶ 208 mBGA package
- ▶ Available in either 170 MHz or 200 MHz versions

Benefits

- ▶ High performance per unit area
- ▶ Excellent code density
- ▶ Large on-chip memory reduces system cost
- ▶ Simple interfacing to industry-standard micros
- ▶ Supports 8+ channels of VoIP

Block Diagram



Available Product Documentation

- ▶ [Product brief](#)

[▲ TOP](#)