

DC Fan Motors

SAN ACE □ **40mm**
FINE ACE



Best suited for reliable, compact precision equipment

General specifications

Motor protection system ····Current cut system (with reverse-connection protection)

Dielectric strength ······50/60 Hz, 500 VAC, 1 minute
(between lead conductor and frame)

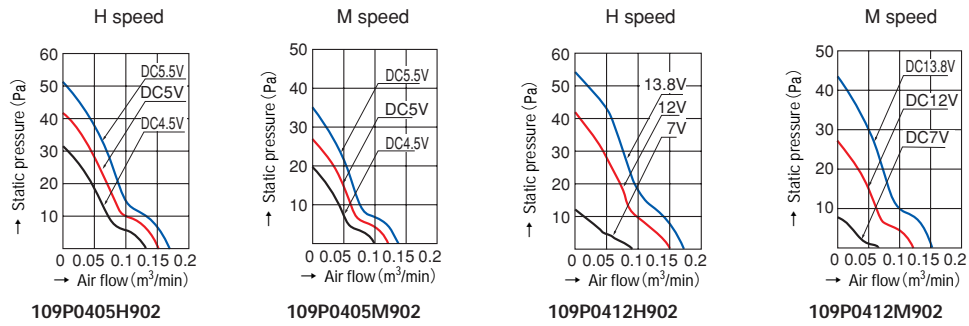
Operating thermally range -10°C to +60°C (non-condensing)

Fan power lead ········H, F, G, B speeds, ⊕ red, ⊖ black
M speed, ⊕ red, ⊖ blue

10mm thick
Specifications

Model No	Rated voltage (V)	Operating voltage range (V)	Rated current (A)	Rated input (W)	Rated rotating speed (min ⁻¹)	Air flow (m ³ /min)	Air flow (CFM)	Static pressure (Pa)	Noise (dB[A])	Mass (g)
109P0405H902	5	4.5~5.5	0.16	0.8	6,200	0.15	5.3	41.16	25	19
109P0405M902			0.11	0.55	5,000	0.12	4.2	26.95	21	
109P0412H902	12	7~13.8	0.07	0.84	6,200	0.15	5.3	41.16	25	19
109P0412M902			0.06	0.72	5,000	0.12	4.2	26.95	21	

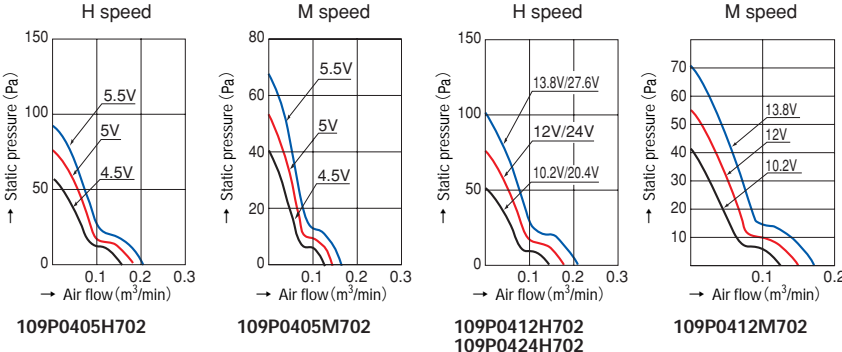
Typical air flow and static pressure characteristics



15mm thick
Specifications

Model No	Rated voltage (V)	Operating voltage range (V)	Rated current (A)	Rated input (W)	Rated rotating speed (min ⁻¹)	Air flow (m ³ /min)	Air flow (CFM)	Static pressure (Pa)	Noise (dB[A])	Mass (g)
109P0405H702	5	4.5~5.5	0.28	1.4	7,700	0.18	6.4	75.5	28	32
109P0405M702			0.21	1.05	6,500	0.15	5.3	53	24	
109P0412H702	12	10.2~13.8	0.13	1.56	7,700	0.18	6.4	75.5	28	32
109P0412M702			0.095	1.14	6,500	0.15	5.3	53	24	
109P0424H702	24	20.4~27.6	0.08	1.92	7,700	0.18	6.4	75.5	28	

Typical air flow and static pressure characteristics



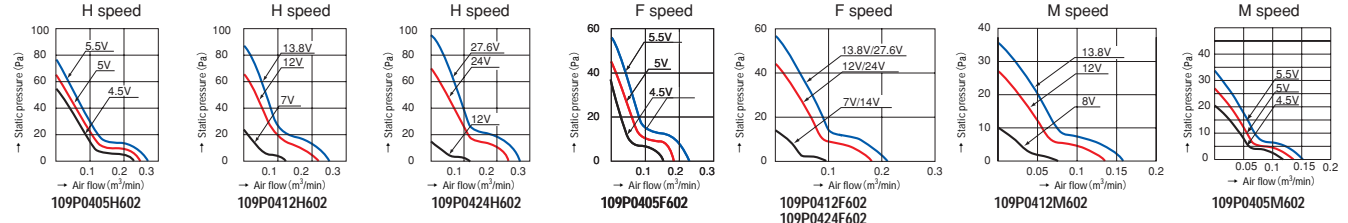
40mm

DC Fan Motors

20mm thick Specifications

Model No	Rated voltage (V)	Operating voltage range (V)	Rated current (A)	Rated input (W)	Rated rotating speed (min ⁻¹)	Air flow (m ³ /min) (CFM)	Static pressure (Pa)	Noise (dB[A])	Mass (g)
109P0405H602	5	4.5~5.5	0.32	1.6	8,000	0.225 8.0	65.7	33	45
109P0405F602			0.25	1.25	6,500	0.183 6.5	45.1	28	
109P0405M602			0.12	0.60	5,000	0.136 4.8	26.5	24	
109P0412H602	12	7~13.8	0.11	1.32	8,000	0.225 8.0	65.7	33	
109P0412F602			0.09	1.08	6,500	0.183 6.5	45.1	28	
109P0412M602			0.06	0.72	5,000	0.136 4.8	26.5	24	
109P0424H602	24	12~27.6	0.07	1.68	8,300	0.233 8.2	69.6	35	
109P0424F602			0.06	1.44	6,500	0.183 6.2	45.1	28	

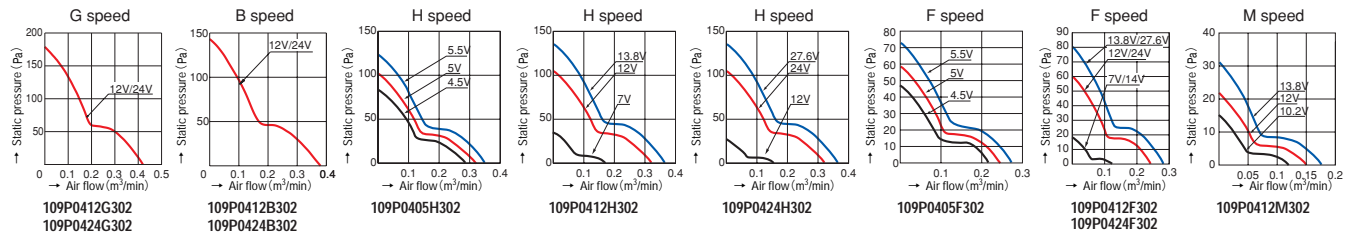
Typical air flow and static pressure characteristics



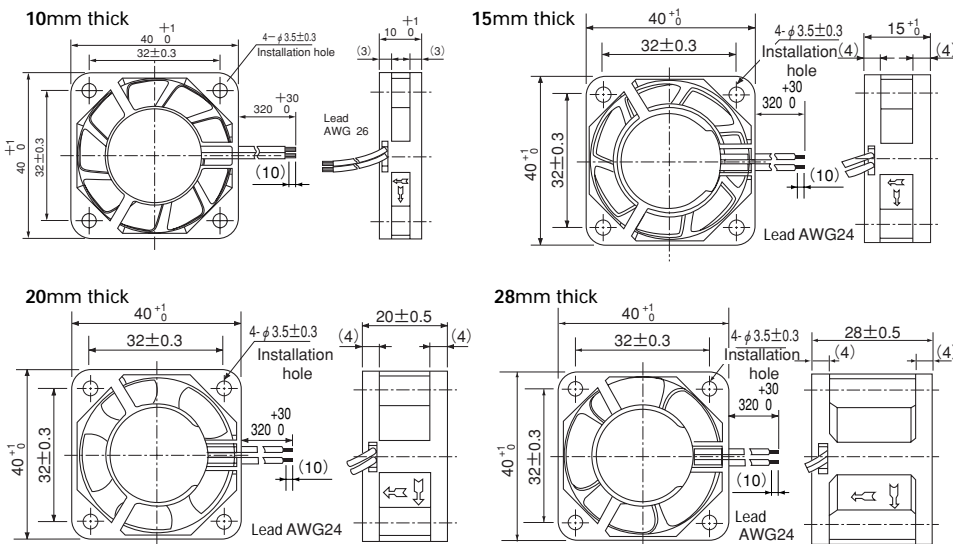
28mm thick Specifications

Model No	Rated voltage (V)	Operating voltage range (V)	Rated current (A)	Rated input (W)	Rated rotating speed (min ⁻¹)	Air flow (m ³ /min) (CFM)	Static pressure (Pa)	Noise (dB[A])	Mass (g)
109P0405H302	5	4.5~5.5	0.68	3.4	8,700	0.32 11.3	103	37	52
109P0405F302			0.28	1.4	6,700	0.244 8.6	58.8	30	
109P0412G302			0.31	3.72	11,500	0.42 14.8	179	42	
109P0412B302	12	7~13.8	0.28	3.36	10,300	0.38 13.4	143	40	
109P0412H302			0.195	2.34	8,700	0.32 11.3	103	37	
109P0412F302			0.105	1.26	6,700	0.244 8.6	58.8	30	
109P0412M302	24	10.2~13.8	0.045	0.54	4,100	0.15 5.3	21.6	20	
109P0424G302			0.19	4.56	11,500	0.42 14.8	179	42	
109P0424B302			0.13	3.12	10,300	0.38 13.4	143	40	
109P0424H302	24	12~27.6	0.095	2.28	8,700	0.32 11.3	103	37	
109P0424F302			0.055	1.32	6,700	0.244 8.6	58.8	30	

Typical air flow and static pressure characteristics

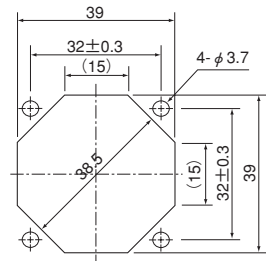


Dimensions (unit : mm)



Reference dimensional diagram for installation holes (unit : mm)

Discharge sides · Suction sides



SANYO DENKI