

# Aluform

Standard Industrial Enclosure



For Finishing Services, Product Support, or to Order

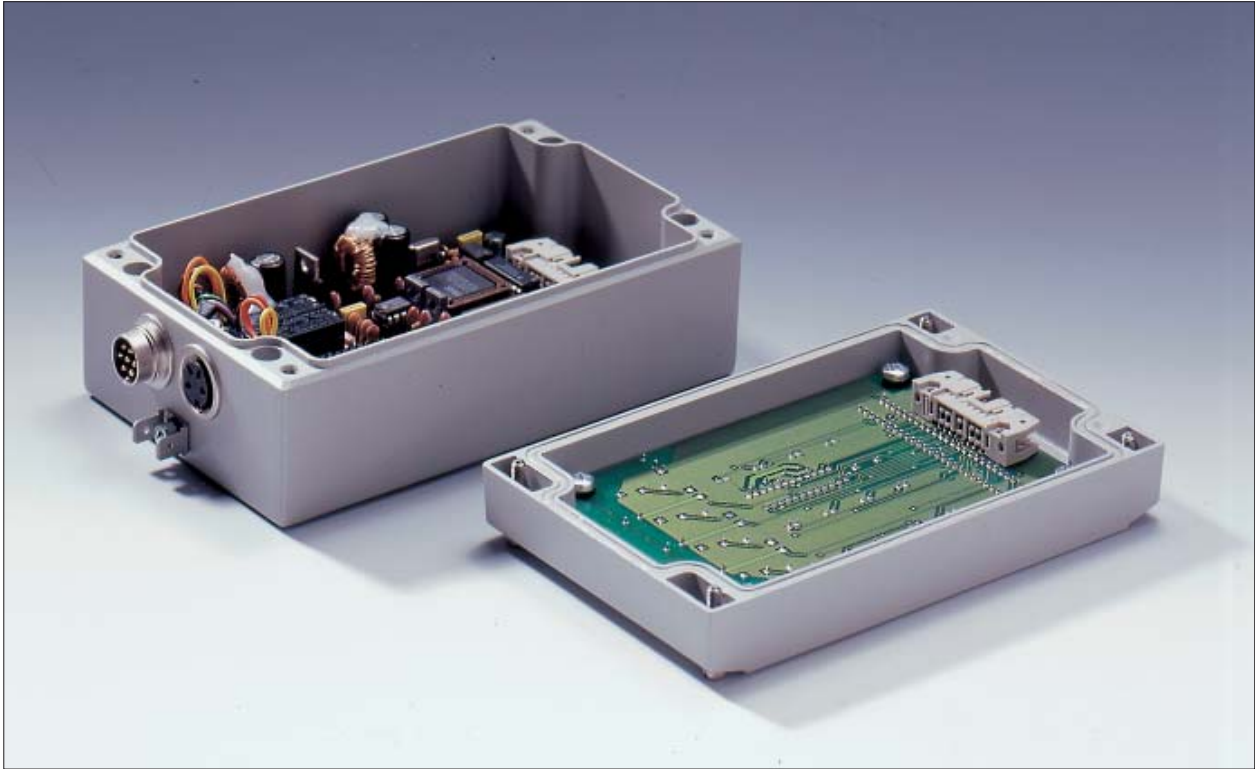
Call 1-301-696-9800

---

# Aluform

---

## Applications





UL® / cUL®



- Aluminum diecast enclosure for automation and instrumentation
- Prepared for acceptance of front membranes and keypads
- Mounting bosses in cover and base

### Technical Data

Material:

DIN EN 1706 EN AC-AIS 12 (Fe)

Painting:

powder coating

Colour:

RAL 7038, agate grey

special colour on request

Ingress protection:

IP 66 to EN 60529

higher protection on request

Impact resistance:

7 Joule to EN 60079-0

Temperature range:

PU (polyurethane) seal (std.): -40°C to +90°C

CR (chloroprene) seal: -40°C to +100°C

VMQ (silicone) seal (optional): -60°C to +130°C

### Included in delivery

Aluminum diecast enclosure consisting of lid, seal incl. captive +/- stainless steel screws, base with 4 ground screws

# Aluform

**For Painted Enclosures add 0 to part # For Unpainted Enclosures add 8 to part #**

## Programme range

Order No.	W x L x H (mm)	Mounting plate	DIN rail		External mounting brackets (set = 2 pcs)
			TS 15	TS35	
04.08 08 08	80 x 80 x 81	10.01 10 60	10.06 10 03		04.00 00 80
04.08 12 08	80 x 120 x 81	10.01 10 61	10.06 10 50		04.00 00 80
04.10 10 06	100 x 100 x 61	10.01 10 31	10.06 10 07	10.06 14 71	04.00 01 00
04.10 16 06	100 x 160 x 61	10.01 10 32	10.06 10 08	10.06 14 72	04.00 01 00
04.10 20 06	100 x 200 x 61	10.01 10 33	10.06 10 09	10.06 14 73	04.00 01 00
04.12 12 08	120 x 120 x 81	10.01 10 62	10.06 10 50	10.06 14 83	04.00 01 20
04.12 16 08	120 x 160 x 81	10.01 10 63	10.06 10 08	10.06 14 72	04.00 01 20
04.14 14 07	140 x 140 x 71	10.01 10 34	10.06 10 44	10.06 14 74	04.00 01 40
04.14 18 07	140 x 180 x 71	10.01 10 35	10.06 10 05	10.06 14 75	04.00 01 40
04.14 22 07	140 x 220 x 72	10.01 10 36	10.06 10 46	10.06 14 76	04.00 01 40
04.16 16 08	160 x 160 x 81	10.01 10 64	10.06 10 08	10.06 14 72	04.00 01 60
04.16 24 08	160 x 240 x 81	10.01 10 65	10.06 10 51	10.06 14 84	04.00 01 60
04.20 20 07	200 x 200 x 72	10.01 10 37	10.06 10 09	10.06 14 73	04.00 02 00
04.20 28 07	200 x 280 x 72	10.01 10 59	10.06 10 48	10.06 14 81	04.00 02 00

Order No.	DIN rails for terminals		Mounting plate <sup>1)</sup>	External mounting brackets pair	External aluminium hinges pair <sup>3), 4)</sup>	EMC screening	S/W/SBG/SBGL Corrosion protection	Allen lid screws <sup>2)</sup>	Silicone lid seal up to +130°C	Sealable lid screws in steel	Lid safety strip
	TS15	TS35									
04.08 08 08	*		*	*	*	*	*	*	*	*	*
04.08 12 08	*		*	*	*	*	*	*	*	*	*
04.10 10 06	*	*	*	*	*	*	*	*	*	*	*
04.10 16 06	*	*	*	*	*	*	*	*	*	*	*
04.10 20 06	*	*	*	*	*	*	*	*	*	*	*
04.12 12 08	*	*	*	*	*	*	*	*	*	*	*
04.12 16 08	*	*	*	*	*	*	*	*	*	*	*
04.14 14 07	*	*	*	*	*	*	*	*	*	*	*
04.14 18 07	*	*	*	*	*	*	*	*	*	*	*
04.14 22 07	*	*	*	*	*	*	*	*	*	*	*
04.16 16 08	*	*	*	*	*	*	*	*	*	*	*
04.16 24 08	*	*	*	*	*	*	*	*	*	*	*
04.20 20 07	*	*	*	*	*	*	*	*	*	*	*
04.20 28 07	*	*	*	*	*	*	*	*	*	*	*

<sup>1)</sup> Laminated paper    <sup>2)</sup> Stainless steel    <sup>3)</sup> Cast aluminium    <sup>4)</sup> Please quote the installation side A-D when ordering



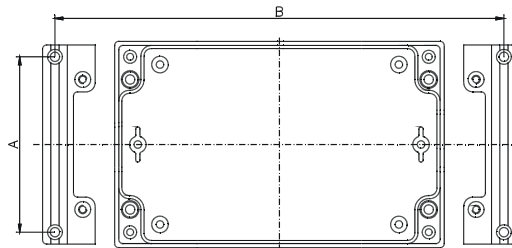
# Aluform

## Accessories



**External mounting brackets** (set = 2 pcs.)  
for mounting without opening the lid

Order No.	A	B	for Type	Order No.	A	B	for Type
<b>04.00 00 80</b>	65	92	04.08 08 08	<b>04.00 01 40</b>	125	152	04.14 14 07
<b>04.00 00 80</b>	65	132	04.08 12 08	<b>04.00 01 40</b>	125	192	04.14 18 07
<b>04.00 01 00</b>	85	112	04.10 10 06	<b>04.00 01 40</b>	125	232	04.14 22 07
<b>04.00 01 00</b>	85	172	04.10 16 06	<b>04.00 01 60</b>	145	172	04.16 16 08
<b>04.00 01 00</b>	85	212	04.10 20 06	<b>04.00 01 60</b>	145	252	04.16 24 08
<b>04.00 01 20</b>	105	132	04.12 12 08	<b>04.00 02 00</b>	185	212	04.20 20 07
<b>04.00 01 20</b>	105	172	04.12 16 08	<b>04.00 02 00</b>	185	292	04.20 28 07



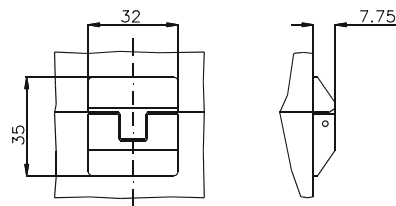
**Panel holder**  
to convert the Aluform enclosure into a multi-functional control terminal wall or table mounting  
sheet steel material; powder coated, RAL 7030, stone grey

Order No.	width	for type
<b>04.30 00 09</b>	98 mm	04.10 10 06 04.10 16 06 04.10 20 06
<b>04.30 00 14</b>	138 mm	04.14 14 07 04.14 18 07 04.14 22 07



**External hinge** (set = 2 pcs)

Order No. **04.00 00 10**



*Accessories*



*Lid safety strip*

set = 2 pcs.

Note: for fastening base has to be manufactured

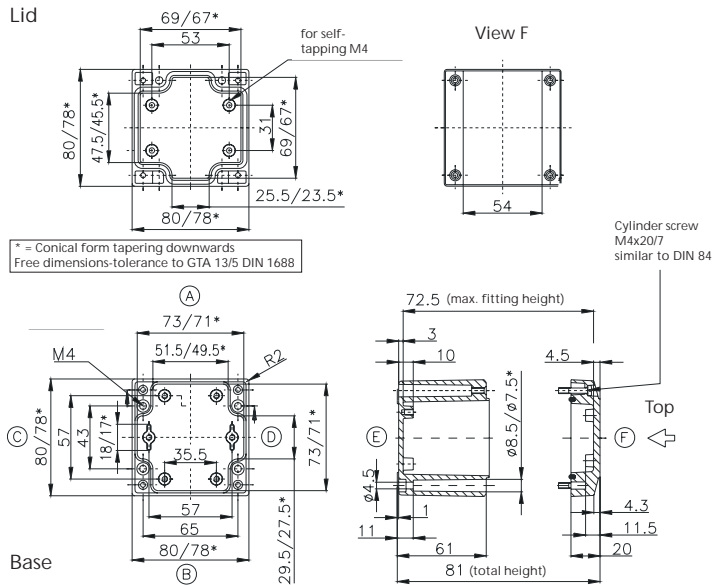
Order No. *04.00 00 20*

Type: **04.08 08 08**

External dimensions: **80 x 80 x 81 mm**

Weight: **700 g**

DIN rail length in mm	max. fitting length in mm	Mounting plate (thickness in mm)	External mounting brackets	External hinge* set	EMC version	SWB / SBG / SBGL corrosion protection	Allen lid screws	Silicone lid seal	Sealable lid screws in steel	Lid safety strip
TS 15										
63	50	2	•	•	•	•	•	•	•	•



Maximum number of cable glands to **DIN 50262\***

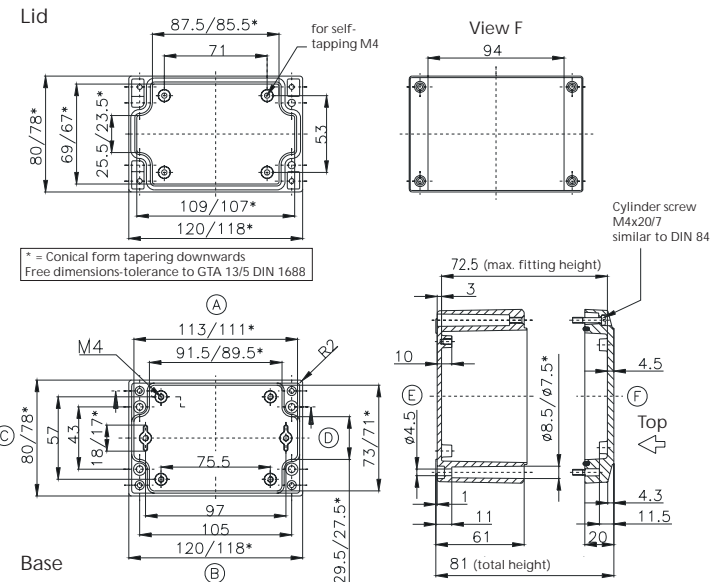
M	Corner dim.	Side		PG	Corner dim.	Side	
		A	C			A	C
12	17.25	8	3	7	17.25	8	3
16	25.30	4	2	9	21.85	5	2
20	27.60	3	1	11	25.30	4	2
25	37.95	1	1	13.5	27.60	3	1
32	48.30	1		16	31.05	2	1
40	60.95			21	37.95	1	
50	69.00			29	48.30	1	
63	74.75			36	60.95		
				42	69.00		
				48	74.75		

Type: **04.08 12 08**

External dimensions: **80 x 120 x 81 mm**

Weight: **650 g**

DIN rail length in mm	max. fitting length in mm	Mounting plate (thickness in mm)	External mounting brackets	External hinge* set	EMC version	SWB / SBG / SBGL corrosion protection	Allen lid screws	Silicone lid seal	Sealable lid screws in steel	Lid safety strip
TS 15										
107	90	2	•	•	•	•	•	•	•	•



Maximum number of cable glands to **DIN 50262\***

M	Corner dim.	Side		PG	Corner dim.	Side	
		A	C			A	C
12	17.25	15	3	7	17.25	15	3
16	25.30	6	2	9	21.85	8	2
20	27.60	5	1	11	25.30	6	2
25	37.95	2	1	13.5	27.60	5	1
32	48.30	2		16	31.05	3	1
40	60.95			21	37.95	2	
50	69.00			29	48.30	2	
63	74.75			36	60.95		
				42	69.00		
				48	74.75		

\* Please quote mounting side

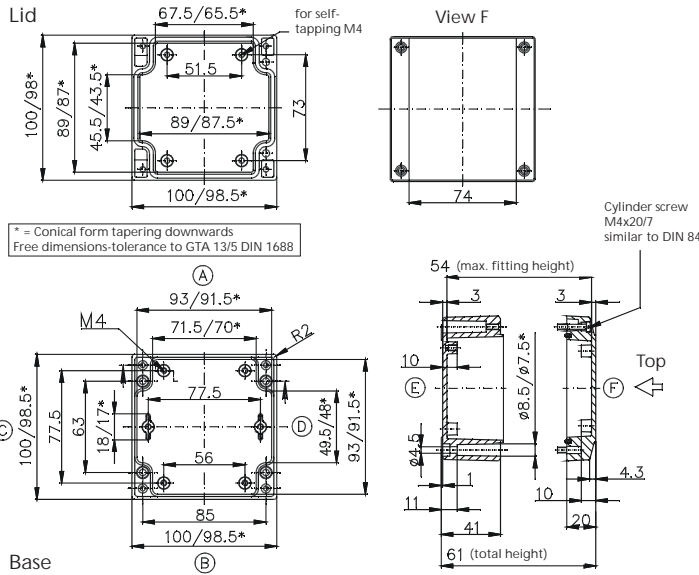


Type: **04.10 10 06**

External dimensions: **100 x 100 x 61 mm**

Weight: **650 g**

DIN rail length in mm	max. fitting length in mm	Mounting plate (thickness in mm)	External mounting brackets	External hinge* set	EMC version	SWB / SBC / SBGL corrosion protection	Allen lid screws	Silicone lid seal	Sealable lid screws in steel	Lid safety strip
TS 15/TS 35	87.5	70	2	•	•	•	•	•	•	•



Maximum number of cable glands to **DIN 50262\***

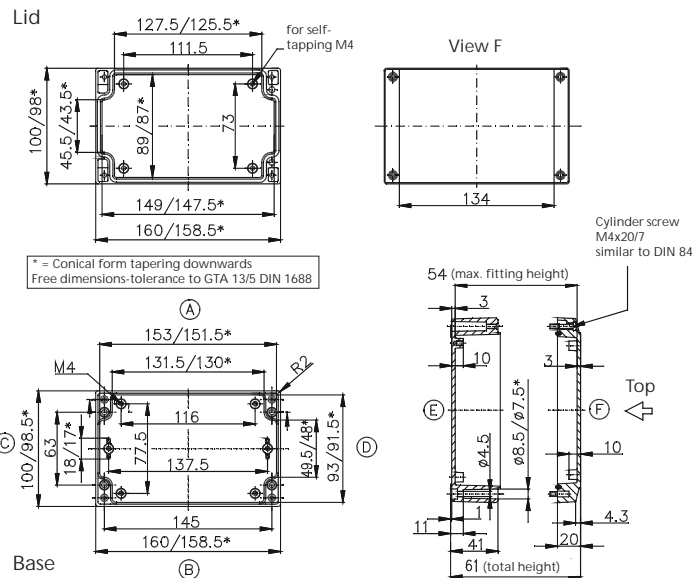
M	Corner dim.	Side		PG	Corner dim.	Side	
		A	B			C	D
12	17.25	6	4	7	17.25	5	4
16	25.30	3	2	9	21.85	3	2
20	27.60	2	2	11	25.30	3	2
25	37.95			13,5	27.60	2	2
32	48.30			16	31.05	2	1
40	60.95			21	37.95		
50	69.00			29	48.30		
63	74.75			36	60.95		
				42	69.00		
				48	74.75		

Type: **04.10 16 06**

External dimensions: **100 x 160 x 61 mm**

Weight: **820 g**

DIN rail length in mm	max. fitting length in mm	Mounting plate (thickness in mm)	External mounting brackets	External hinge* set	EMC version	SWB / SBC / SBGL corrosion protection	Allen lid screws	Silicone lid seal	Sealable lid screws in steel	Lid safety strip
TS 15/TS 35	148	130	2	•	•	•	•	•	•	•



Maximum number of cable glands to **DIN 50262\***

M	Corner dim.	Side		PG	Corner dim.	Side	
		A	B			C	D
12	17.25	11	4	7	17.25	11	4
16	25.30	5	2	9	21.85	6	2
20	27.60	4	2	11	25.30	5	2
25	37.95			13,5	27.60	4	2
32	48.30			16	31.05	4	1
40	60.95			21	37.95		
50	69.00			29	48.30		
63	74.75			36	60.95		
				42	69.00		
				48	74.75		

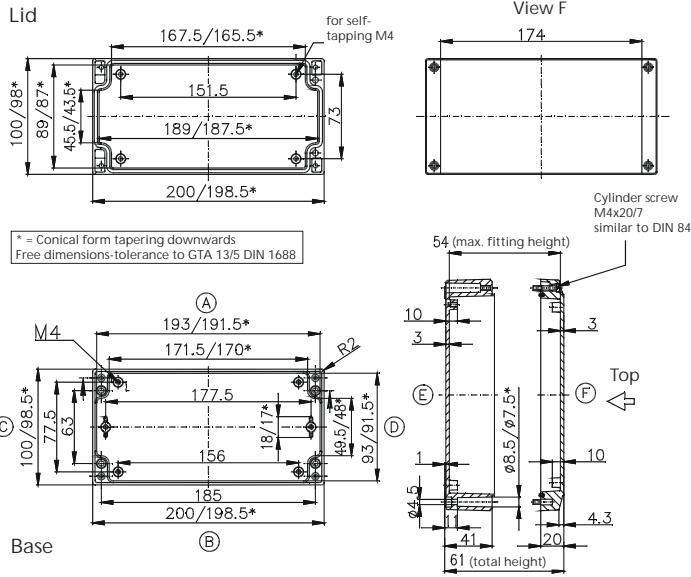
\* Please quote mounting side

Type: **04.10 20 06**

External dimensions: **100 x 200 x 61 mm**

Weight: **840 g**

DIN rail length in mm	max. fitting length in mm	Mounting plate (thickness in mm)	External mounting brackets	External hinge* set	EMC version	SWB / SBG / SBGL corrosion protection	Allen lid screws	Silicone lid seal	Sealable lid screws in steel	Lid safety strip
TS 15/TS 35										
188	170	2	•	•	•	•	•	•	•	•



Maximum number of cable glands to **DIN 50262\***

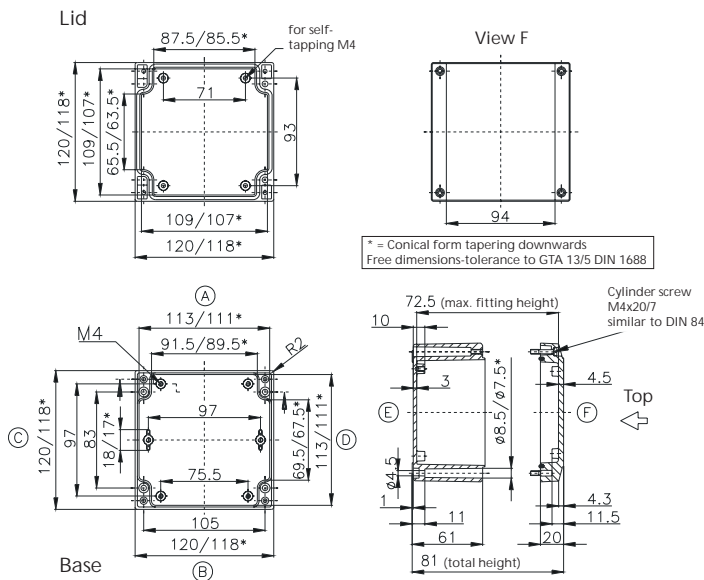
M	Corner dim.	Side		PG	Corner dim.	Side	
		A	C			B	D
12	17.25	15	4	7	17.25	14	4
16	25.30	7	2	9	21.85	8	2
20	27.60	6	2	11	25.30	7	2
25	37.95			13,5	27.60	6	2
32	48.30			16	31.05	5	1
40	60.95			21	37.95		
50	69.00			29	48.30		
63	74.75			36	60.95		
				42	69.00		
				48	74.75		

Type: **04.12 12 08**

External dimensions: **120 x 120 x 81 mm**

Weight: **880 g**

DIN rail length in mm	max. fitting length in mm	Mounting plate (thickness in mm)	External mounting brackets	External hinge* set	EMC version	SWB / SBG / SBGL corrosion protection	Allen lid screws	Silicone lid seal	Sealable lid screws in steel	Lid safety strip
TS 15/TS 35										
107	90	2	•	•	•	•	•	•	•	•



Maximum number of cable glands to **DIN 50262\***

M	Corner dim.	Side		PG	Corner dim.	Side	
		A	C			B	D
12	17.25	15	11	7	17.25	15	11
16	25.30	6	6	9	21.85	8	6
20	27.60	5	4	11	25.30	6	5
25	37.95	2	2	13,5	27.60	5	4
32	48.30	2	1	16	31.05	3	2
40	60.95			21	37.95	2	2
50	69.00			29	48.30	2	1
63	74.75			36	60.95		
				42	69.00		
				48	74.75		

\* Please quote mounting side

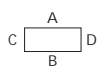
Type: **04.12 16 08**

External dimensions: **120 x 160 x 81 mm**

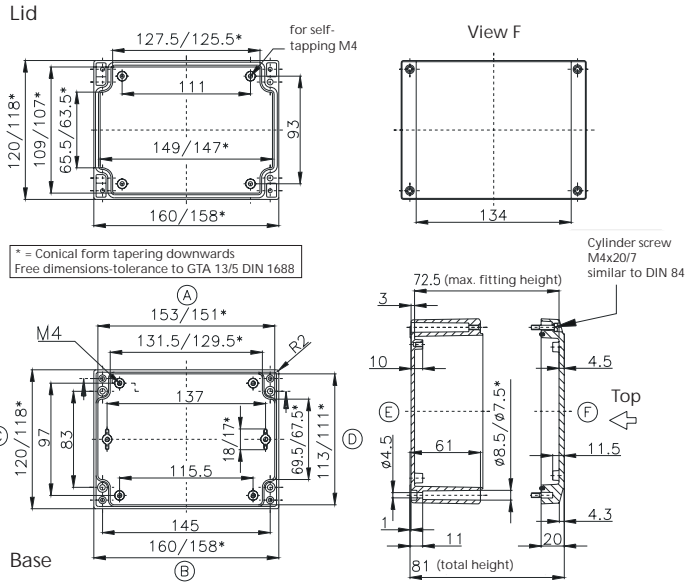
Weight: **830 g**

DIN rail length in mm	max. fitting length in mm	Mounting plate (thickness in mm)	External mounting brackets	External hinge* set	EMC version	SWB / SBG / SBGL corrosion protection	Allen lid screws	Silicone lid seal	Sealable lid screws in steel	Lid safety strip
TS 15/TS 35										
148	70	2	•	•	•	•	•	•	•	•

Maximum number of cable glands to **DIN 50262\***



M	Corner dim.	Side		PG	Corner dim.	Side	
		A	C			B	D
12	17.25	21	11	7	17.25	21	11
16	25.30	10	6	9	21.85	12	6
20	27.60	8	4	11	25.30	10	5
25	37.95	4	2	13.5	27.60	8	4
32	48.30	3	1	16	31.05	5	2
40	60.95			21	37.95	3	2
50	69.00			29	48.30	2	1
63	74.75			36	60.95		
				42	69.00		
				48	74.75		



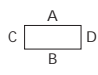
Type: **04.14 14 07**

External dimensions: **140 x 140 x 71 mm**

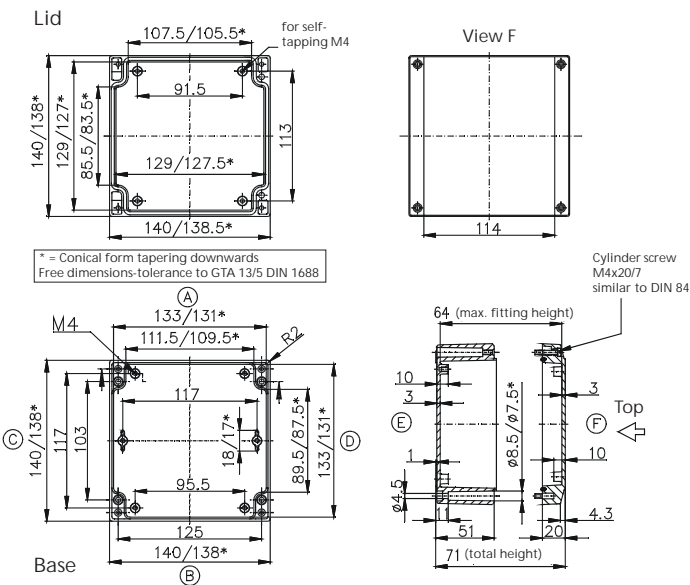
Weight: **800 g**

DIN rail length in mm	max. fitting length in mm	Mounting plate (thickness in mm)	External mounting brackets	External hinge* set	EMC version	SWB / SBG / SBGL corrosion protection	Allen lid screws	Silicone lid seal	Sealable lid screws in steel	Lid safety strip
TS 15/TS 35										
126	110	2	•	•	•	•	•	•	•	•

Maximum number of cable glands to **DIN 50262\***



M	Corner dim.	Side		PG	Corner dim.	Side	
		A	C			B	D
12	17.25	12	10	7	17.25	12	10
16	25.30	5	4	9	21.85	9	7
20	27.60	4	3	11	25.30	5	4
25	37.95	3	2	13.5	27.60	4	3
32	48.30			16	31.05	3	3
40	60.95			21	37.95	3	2
50	69.00			29	48.30		
63	74.75			36	60.95		
				42	69.00		
				48	74.75		



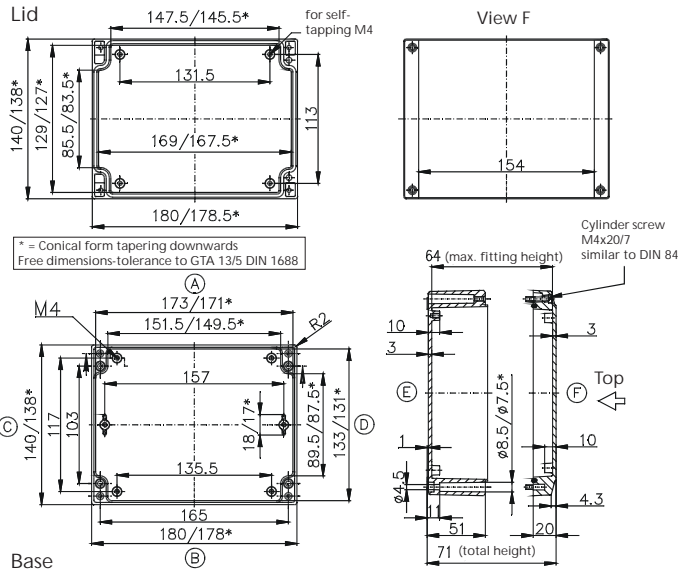
\* Please quote mounting side

Type: **04.14 18 07**

External dimensions: **140 x 180 x 71 mm**

Weight: **1000 g**

DIN rail length in mm	max. fitting length in mm	Mounting plate (thickness in mm)	External mounting brackets	External hinge* set	EMC version	SWB / SBG / SBGL corrosion protection	Allen lid screws	Silicone lid seal	Sealable lid screws in steel	Lid safety strip
TS 15/TS 35										
163	150	2	•	•	•	•	•	•	•	•



Maximum number of cable glands to **DIN 50262\***

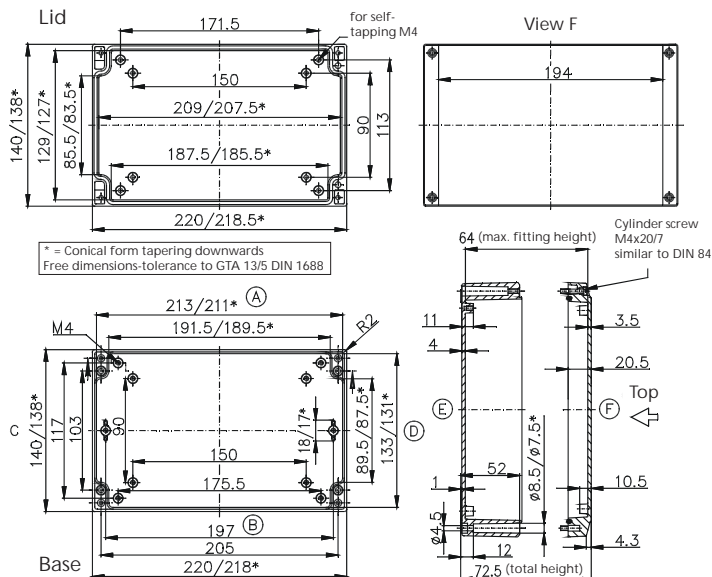
M	Corner dim.	Side			PG	Corner dim.	Side		
		A	B	C/D			A	B	C/D
12	17.25	17	10	7	17.25	17	10		
16	25.30	8	4	9	21.85	13	7		
20	27.60	6	3	11	25.30	7	4		
25	37.95	4	2	13.5	27.60	6	3		
32	48.30			16	31.05	5	3		
40	60.95			21	37.95	4	2		
50	69.00			29	48.30				
63	74.75			36	60.95				
				42	69.00				
				48	74.75				

Type: **04.14 22 07**

External dimensions: **140 x 220 x 72 mm**

Weight: **1266 g**

DIN rail length in mm	max. fitting length in mm	Mounting plate (thickness in mm)	External mounting brackets	External hinge* set	EMC version	SWB / SBG / SBGL corrosion protection	Allen lid screws	Silicone lid seal	Sealable lid screws in steel	Lid safety strip
TS 15/TS 35										
206	190	2	•	•	•	•	•	•	•	•



Maximum number of cable glands to **DIN 50262\***

M	Corner dim.	Side			PG	Corner dim.	Side		
		A	B	C/D			A	B	C/D
12	17.25	22	10	7	17.25	22	10		
16	25.30	10	4	9	21.85	16	7		
20	27.60	8	3	11	25.30	9	4		
25	37.95	5	2	13.5	27.60	8	3		
32	48.30			16	31.05	6	3		
40	60.95			21	37.95	5	2		
50	69.00			29	48.30				
63	74.75			36	60.95				
				42	69.00				
				48	74.75				

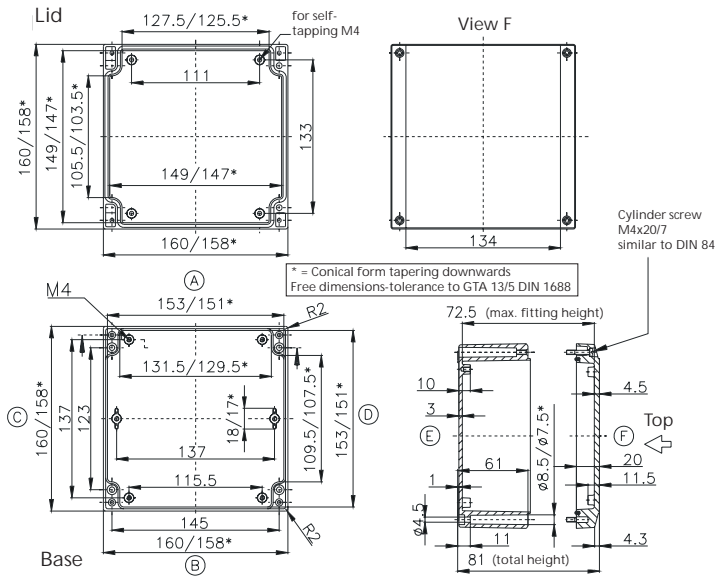
\* Please quote mounting side

Type: **04.16 16 08**

External dimensions: **160 x 160 x 81 mm**

Weight: **1120 g**

DIN rail length in mm	max. fitting length in mm	Mounting plate (thickness in mm)	External mounting brackets	External hinge* set	EMC version	SWB / SBG / SBGL corrosion protection	Allen lid screws	Silicone lid seal	Sealable lid screws in steel	Lid safety strip
TS 15/TS 35										
148	130	2	•	•	•	•	•	•	•	•



Maximum number of cable glands to **DIN 50262\***

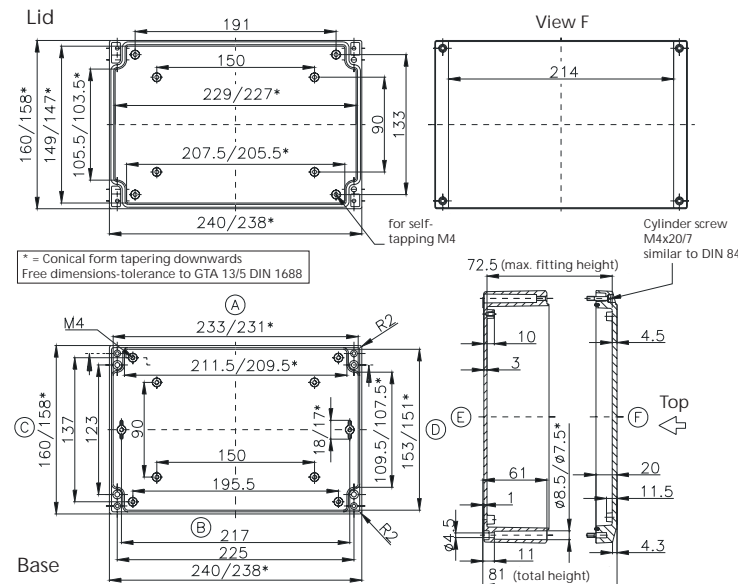
M	Corner dim.	Side		PG	Corner dim.	Side	
		A	C			A	C
12	17.25	21	18	7	17.25	21	18
16	25.30	10	8	9	21.85	12	10
20	27.60	8	7	11	25.30	10	8
25	37.95	4	3	13.5	27.60	8	7
32	48.30	3	2	16	31.05	5	4
40	60.95			21	37.95	3	3
50	69.00			29	48.30	2	2
63	74.75			36	60.95		
				42	69.00		
				48	74.75		

Type: **04.16 24 08**

External dimensions: **160 x 240 x 81 mm**

Weight: **1900 g**

DIN rail length in mm	max. fitting length in mm	Mounting plate (thickness in mm)	External mounting brackets	External hinge* set	EMC version	SWB / SBG / SBGL corrosion protection	Allen lid screws	Silicone lid seal	Sealable lid screws in steel	Lid safety strip
TS 15/TS 35										
228	210	2	•	•	•	•	•	•	•	•



Maximum number of cable glands to **DIN 50262\***

M	Corner dim.	Side		PG	Corner dim.	Side	
		A	C			A	C
12	17.25	36	18	7	17.25	36	18
16	25.30	16	8	9	21.85	18	10
20	27.60	14	7	11	25.30	16	8
25	37.95	6	3	13.5	27.60	14	7
32	48.30	4	2	16	31.05	9	4
40	60.95			21	37.95	6	3
50	69.00			29	48.30	4	2
63	74.75			36	60.95		
				42	69.00		
				48	74.75		

\* Please quote mounting side

