

# Ultimate Miniature Size Connector With Integral Cable Clamp Cap

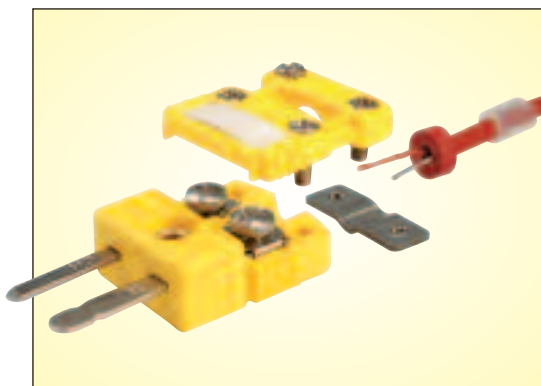
Glass Filled Nylon Range -29 to 220°C (-20 to 425°F)

SMPW-CC Series  
Starts at  
**\$245**



- ✓ Integral Cap+ Cable Clamp
- ✓ Strain Relief With Grommet
- ✓ Captive Cover Screws
- ✓ Captive Clamp Screws
- ✓ Accepts Stranded or Solid Wire as Small as 40 AWG Up to 20 AWG, or Overbraid, TWSH, Armored Up to 5.5 mm (0.22") OD
- ✓ Contact Washers for Quick Connect Wire Termination
  - Use Straight Wire
  - No Wire Loop Required
- ✓ Internal Wire Divider
- ✓ Write-On Window
- ✓ Combination Phillips/Slot Screws
- ✓ 100% Top Side Assembly

**Reduce Assembly Time From 3 Minutes to Less Than 1 Minute!**



**Incredible Labor Saver!  
No Loose Screws, All Cover Screws Are Captive!**

Terminate straight wire, wire loop not necessary.

See section H for TC wire selection.

Back plate 1/8" supplied adjustable to hold 40 AWG to 5.5 mm (0.22") OD.

Grommets included, see page G-34 for grommet options.

Contact washers.

All screws are combination head.

SMPW-CC-K-M \$245, shown larger than actual size.

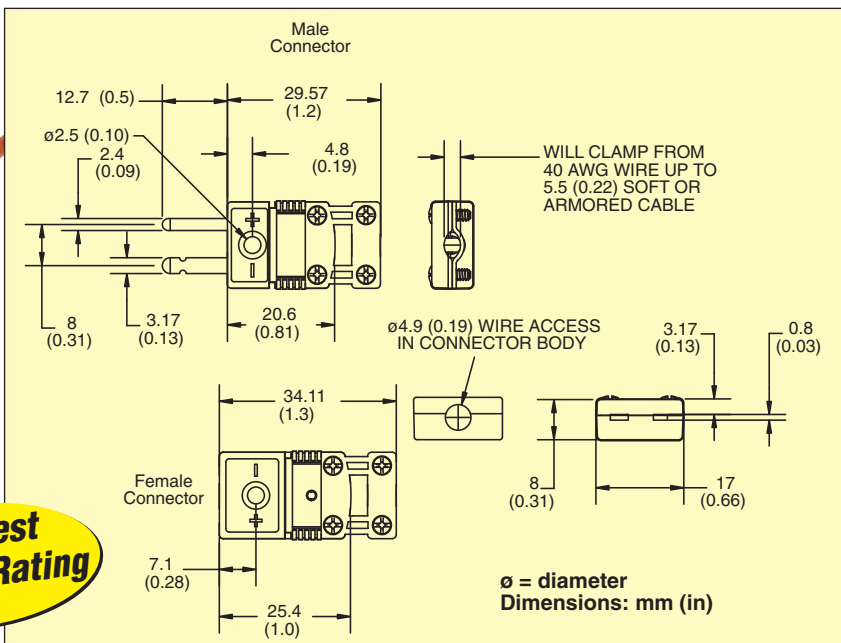
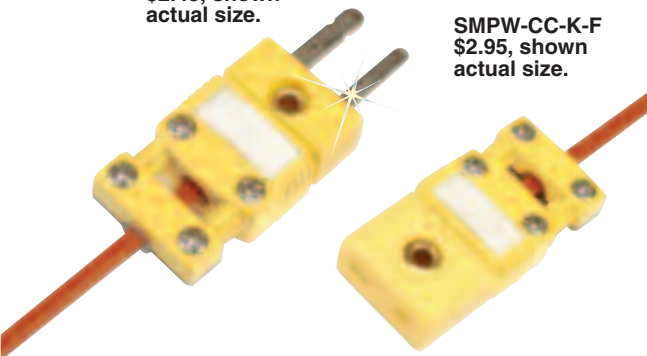
Actual size.

SMPW-CC-K-F \$2.95, shown larger than actual size.

**Side Load Equal to Stainless Steel**

**SMPW-CC-K-M**  
\$2.45, shown  
actual size.

**SMPW-CC-K-F**  
\$2.95, shown  
actual size.



**Pull Test  
Highest Rating**

Discount Schedule	
1-10 .....	Net
11-49 .....	5%
50-99 .....	10%
100-999 .....	15%
1000-4999 .....	20%
5000 and over .....	25%

**MOST POPULAR MODELS HIGHLIGHTED!**

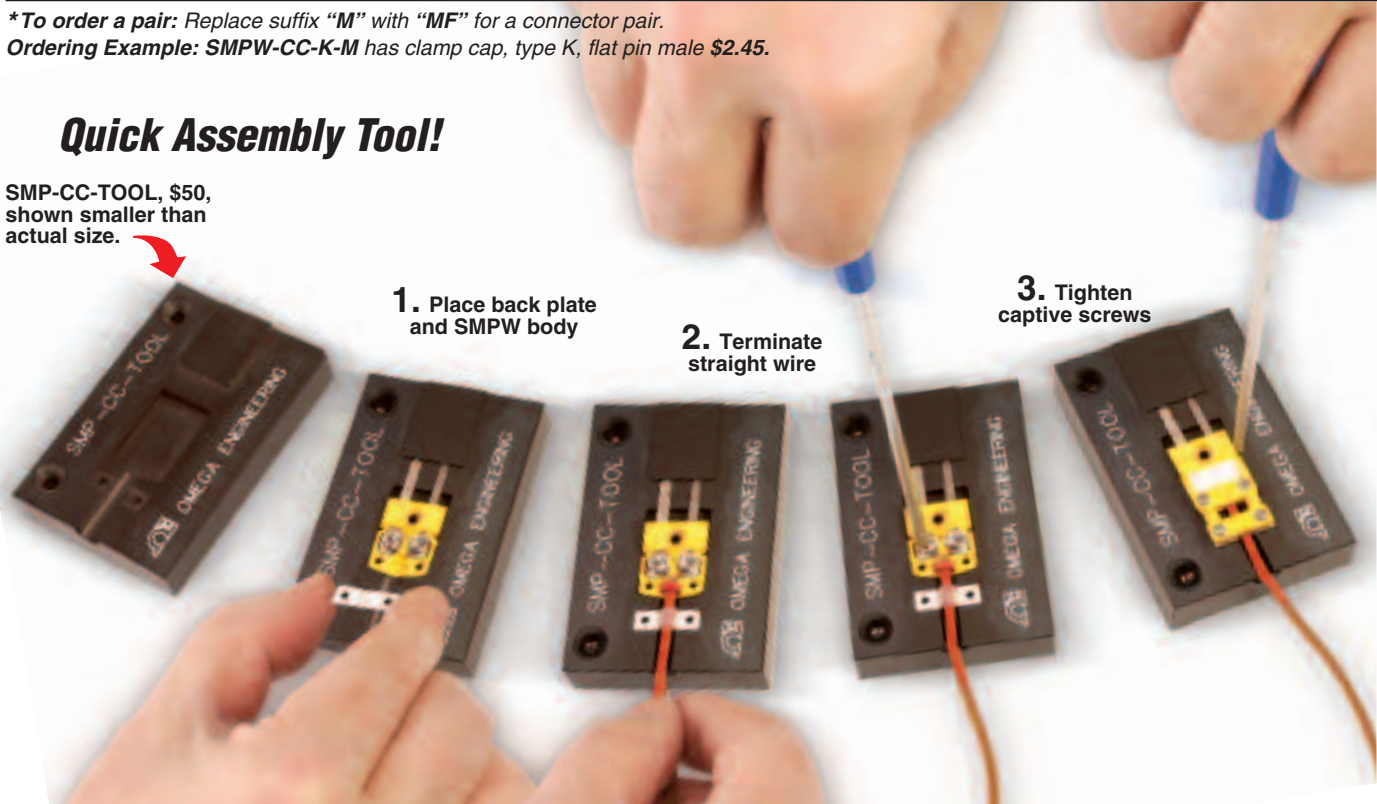
**To Order (Specify Model Number)**

Alloy Code	Compensating Alloy Used in Connector		ANSI Color Code	Glass-Filled Nylon Model Number		Price		
	(+)	(-)		Male	Female	Pair (MF)*	(F)	Male (M)
<b>K</b>	CHROMEGA	ALOMEGA	Yellow	<b>SMPW-CC-K-M</b>	<b>SMPW-CC-K-F</b>	\$5.40	\$2.95	\$2.45
<b>T</b>	Copper	Constantan	Blue	<b>SMPW-CC-T-M</b>	<b>SMPW-CC-T-F</b>	5.40	2.95	2.45
<b>J</b>	Iron	Constantan	Black	<b>SMPW-CC-J-M</b>	<b>SMPW-CC-J-F</b>	5.40	2.95	2.45
<b>E</b>	CHROMEGA	Constantan	Purple	<b>SMPW-CC-E-M</b>	<b>SMPW-CC-E-F</b>	5.40	2.95	2.45
<b>R/S</b>	Copper	RNX/SNX	Green	<b>SMPW-CC-R/S-M</b>	<b>SMPW-CC-R/S-F</b>	5.40	2.95	2.45
<b>C</b>	CPX	CNX	Red	<b>SMPW-CC-C-M</b>	<b>SMPW-CC-C-F</b>	5.40	2.95	2.45
<b>U</b>	Copper	Copper	White	<b>SMPW-CC-U-M</b>	<b>SMPW-CC-U-F</b>	5.40	2.95	2.45
<b>N</b>	OMEGA-P	OMEGA-N	Orange	<b>SMPW-CC-N-M</b>	<b>SMPW-CC-N-F</b>	5.40	2.95	2.45

\*To order a pair: Replace suffix "M" with "MF" for a connector pair.  
Ordering Example: SMPW-CC-K-M has clamp cap, type K, flat pin male \$2.45.

**Quick Assembly Tool!**

SMP-CC-TOOL, \$50,  
shown smaller than  
actual size.





#### UNITED STATES

[www.omega.com](http://www.omega.com)  
1-800-TC-OMEGA  
Stamford, CT.

#### CANADA

[www.omega.ca](http://www.omega.ca)  
Laval(Quebec)  
1-800-TC-OMEGA

#### GERMANY

[www.omega.de](http://www.omega.de)  
Deckenpfronn, Germany  
0800-8266342

#### UNITED KINGDOM

[www.omega.co.uk](http://www.omega.co.uk)  
Manchester, England  
0800-488-488

#### FRANCE

[www.omega.fr](http://www.omega.fr)  
Guyancourt, France  
088-466-342

#### CZECH REPUBLIC

[www.omegaeng.cz](http://www.omegaeng.cz)  
Karviná, Czech Republic  
596-311-899

#### BENELUX

[www.omega.nl](http://www.omega.nl)  
Amstelveen, NL  
0800-099-33-44



## More than 100,000 Products Available!

### • Temperature

Calibrators, Connectors, General Test and Measurement Instruments, Glass Bulb Thermometers, Handheld Instruments for Temperature Measurement, Ice Point References, Indicating Labels, Crayons, Cements and Lacquers, Infrared Temperature Measurement Instruments, Recorders Relative Humidity Measurement Instruments, RTD Probes, Elements and Assemblies, Temperature & Process Meters, Timers and Counters, Temperature and Process Controllers and Power Switching Devices, Thermistor Elements, Probes and Assemblies, Thermocouples Thermowells and Head and Well Assemblies, Transmitters, Wire

### • Flow and Level

Air Velocity Indicators, Doppler Flowmeters, Level Measurement, Magnetic Flowmeters, Mass Flowmeters, Pitot Tubes, Pumps, Rotameters, Turbine and Paddle Wheel Flowmeters, Ultrasonic Flowmeters, Valves, Variable Area Flowmeters, Vortex Shedding Flowmeters

### • pH and Conductivity

Conductivity Instrumentation, Dissolved Oxygen Instrumentation, Environmental Instrumentation, pH Electrodes and Instruments, Water and Soil Analysis Instrumentation

### • Data Acquisition

Auto-Dialers and Alarm Monitoring Systems, Communication Products and Converters, Data Acquisition and Analysis Software, Data Loggers Plug-in Cards, Signal Conditioners, USB, RS232, RS485 and Parallel Port Data Acquisition Systems, Wireless Transmitters and Receivers

### • Pressure, Strain and Force

Displacement Transducers, Dynamic Measurement Force Sensors, Instrumentation for Pressure and Strain Measurements, Load Cells, Pressure Gauges, Pressure Reference Section, Pressure Switches, Pressure Transducers, Proximity Transducers, Regulators, Strain Gages, Torque Transducers, Valves

### • Heaters

Band Heaters, Cartridge Heaters, Circulation Heaters, Comfort Heaters, Controllers, Meters and Switching Devices, Flexible Heaters, General Test and Measurement Instruments, Heater Hook-up Wire, Heating Cable Systems, Immersion Heaters, Process Air and Duct, Heaters, Radiant Heaters, Strip Heaters, Tubular Heaters