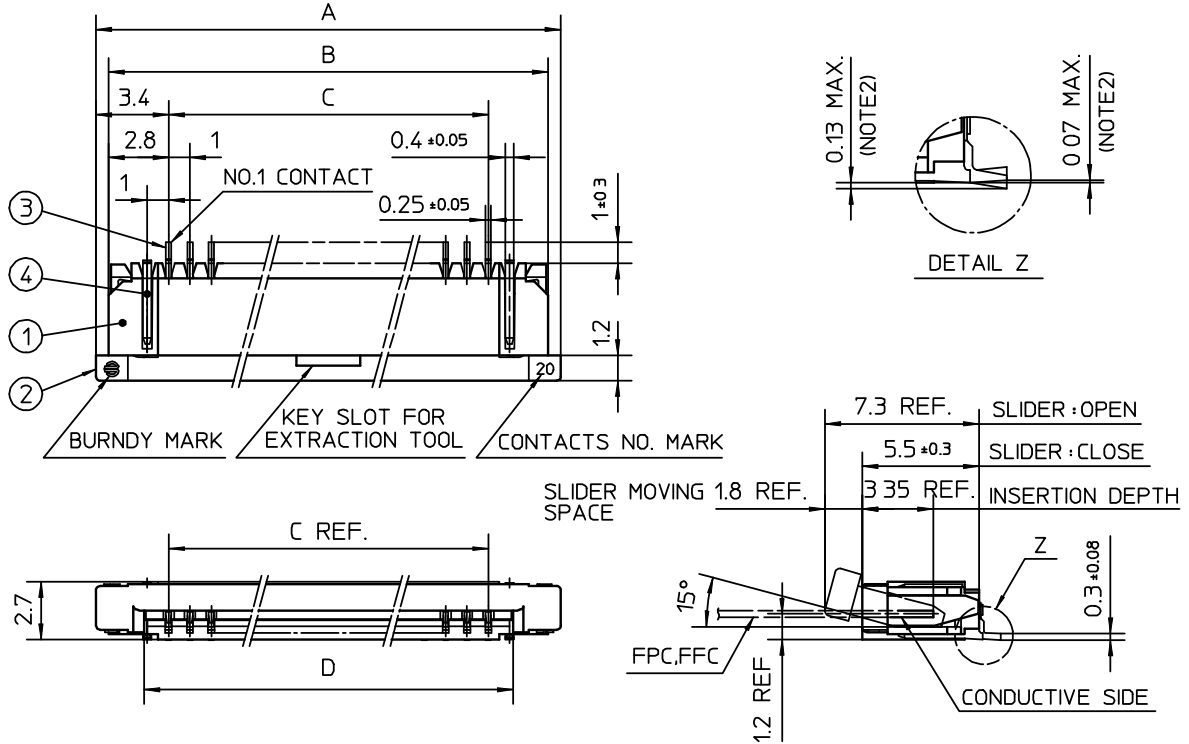


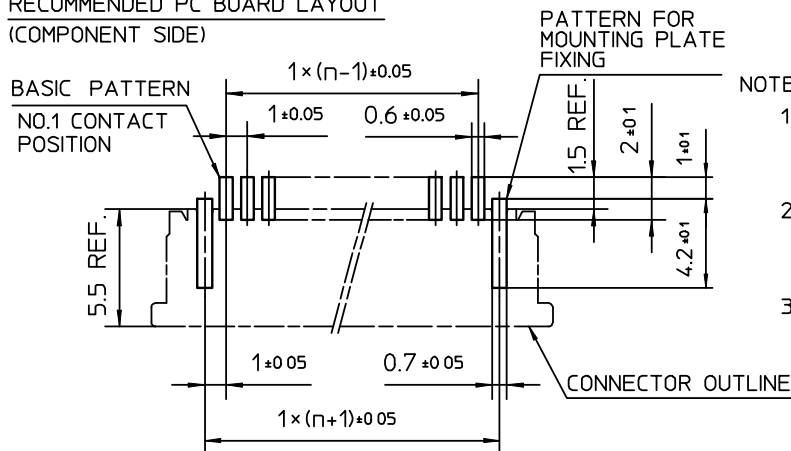
TOLERANCES  
UNLESS OTHERWISE SPECIFIED :  $\pm 0.2$



| PT. NO | PARTS NAME     | MATERIAL                             | Q'TY | NOTE                |
|--------|----------------|--------------------------------------|------|---------------------|
| 1      | HOUSING        | PPS RESIN GLASS REINFORCED (UL94V-0) | 1    | COLOR : BROWN       |
| 2      | SLIDER         | PPS RESIN GLASS REINFORCED (UL94V-0) | 1    | COLOR : BLACK       |
| 3      | CONTACT        | PHOSPHOR BRONZE                      | n    | PLATING : TIN ALLOY |
| 4      | MOUNTING PLATE |                                      | 2    |                     |

n : NO. OF CONTACTS

RECOMMENDED PC BOARD LAYOUT  
(COMPONENT SIDE)



NOTES

- 1 THIS PRODUCT IS THE CONNECTOR USED FOR FPC/FFC AND COPEs WITH AUTOMATIC MOUNTING (SMT).
2. FLATNESS FOR CONTACT TERMINAL HOUSING MUST BE WITHIN TOLERANCE IN Z PORTION DETAILED DRAWING.
- 3 THIS PRODUCT IS LOWER CONTACT TYPE CONNECTOR.

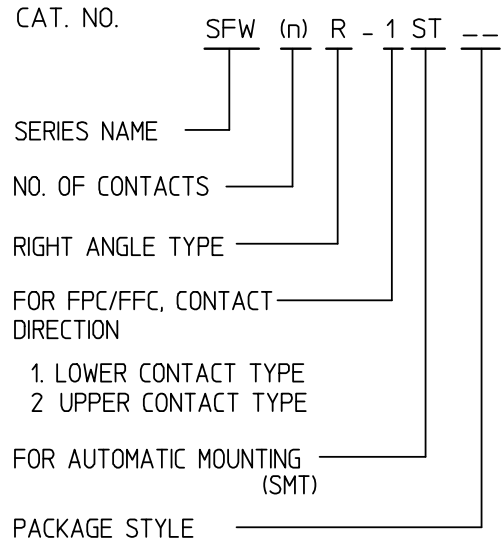
|      |      |             |      |          |          |              |
|------|------|-------------|------|----------|----------|--------------|
|      |      |             |      | SCALE    | $\times$ |              |
|      |      |             |      | DIM. IN  | mm       | CAT NO.      |
|      |      |             |      | DESIGNED |          | SFW__R-1ST__ |
|      |      |             |      | DRAWN    |          | DRAWING NO   |
|      |      |             |      | CHECKED  |          | JSA 91599    |
|      |      |             |      | APPROVED |          |              |
| REV. | DATE | DESCRIPTION | DWN. | APPD.    | DATE     |              |



DF-136  
REV.B


CAT. NO. & DIMENSIONS

| NO. OF CONTACTS (n) | CAT. NO.       | DIMENSIONS (NOTE2) |         |         |         |
|---------------------|----------------|--------------------|---------|---------|---------|
|                     |                | A ± 0.2            | B ± 0.2 | C ± 0.2 | D ± 0.1 |
| 4                   | SFW4R-1/2ST__  | 9.8                | 8.6     | 3.0     | 5.3     |
| 5                   | SFW5R-1/2ST__  | 10.8               | 9.6     | 4.0     | 6.3     |
| 6                   | SFW6R-1/2ST__  | 11.8               | 10.6    | 5.0     | 7.3     |
| 7                   | SFW7R-1/2ST__  | 12.8               | 11.6    | 6.0     | 8.3     |
| 8                   | SFW8R-1/2ST__  | 13.8               | 12.6    | 7.0     | 9.3     |
| 9                   | SFW9R-1/2ST__  | 14.8               | 13.6    | 8.0     | 10.3    |
| 10                  | SFW10R-1/2ST__ | 15.8               | 14.6    | 9.0     | 11.3    |
| 11                  | SFW11R-1/2ST__ | 16.8               | 15.6    | 10.0    | 12.3    |
| 12                  | SFW12R-1/2ST__ | 17.8               | 16.6    | 11.0    | 13.3    |
| 13                  | SFW13R-1/2ST__ | 18.8               | 17.6    | 12.0    | 14.3    |
| 14                  | SFW14R-1/2ST__ | 19.8               | 18.6    | 13.0    | 15.3    |
| 15                  | SFW15R-1/2ST__ | 20.8               | 19.6    | 14.0    | 16.3    |
| 16                  | SFW16R-1/2ST__ | 21.8               | 20.6    | 15.0    | 17.3    |
| 17                  | SFW17R-1/2ST__ | 22.8               | 21.6    | 16.0    | 18.3    |
| 18                  | SFW18R-1/2ST__ | 23.8               | 22.6    | 17.0    | 19.3    |
| 19                  | SFW19R-1/2ST__ | 24.8               | 23.6    | 18.0    | 20.3    |
| 20                  | SFW20R-1/2ST__ | 25.8               | 24.6    | 19.0    | 21.3    |
| 21                  | SFW21R-1/2ST__ | 26.8               | 25.6    | 20.0    | 22.3    |
| 22                  | SFW22R-1/2ST__ | 27.8               | 26.6    | 21.0    | 23.3    |
| 23                  | SFW23R-1/2ST__ | 28.8               | 27.6    | 22.0    | 24.3    |
| 24                  | SFW24R-1/2ST__ | 29.8               | 28.6    | 23.0    | 25.3    |
| 25                  | SFW25R-1/2ST__ | 30.8               | 29.6    | 24.0    | 26.3    |
| 26                  | SFW26R-1/2ST__ | 31.8               | 30.6    | 25.0    | 27.3    |
| 27                  | SFW27R-1/2ST__ | 32.8               | 31.6    | 26.0    | 28.3    |
| 28                  | SFW28R-1/2ST__ | 33.8               | 32.6    | 27.0    | 29.3    |
| 29                  | SFW29R-1/2ST__ | 34.8               | 33.6    | 28.0    | 30.3    |
| 30                  | SFW30R-1/2ST__ | 35.8               | 34.6    | 29.0    | 31.3    |



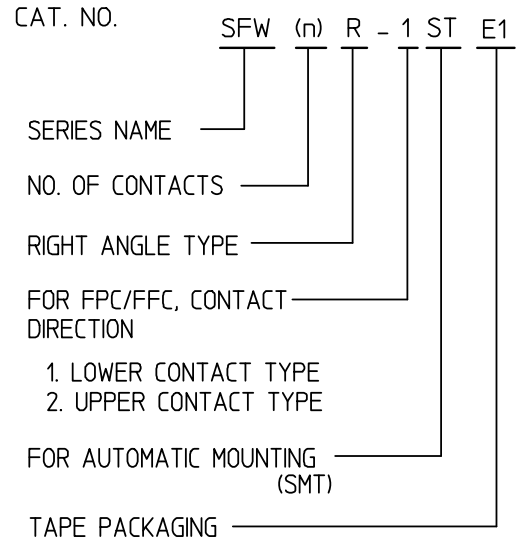
NOTES

1. THIS PRODUCT IS THE CONNECTOR USED FOR FPC/FFC AND COPEs WITH AUTOMATIC MOUNTING (SMT).
2. SEE PART DRAWINGS FOR DIMENSIONS A~D.

|      |      |             |      |       |          |    |   |     |
|------|------|-------------|------|-------|----------|----|---|-----|
|      |      |             |      |       | SCALE    | ×  | CAT NO. TABLE FOR SURFLOK CONNECTOR   |     |
|      |      |             |      |       | DIM. IN  | mm | CAT NO.   |     |
|      |      |             |      |       | DESIGNED |    | SFW__R-1/2ST__  |     |
|      |      |             |      |       | DRAWN    |    | DRAWING NO  | REV |
|      |      |             |      |       | CHECKED  |    | JSA 91598   |     |
|      |      |             |      |       | APPROVED |    |  DF-136<br>REV.B |     |
| REV. | DATE | DESCRIPTION | DWN. | APPD. | DATE     |    |   |     |


CAT. NO. & DIMENSIONS

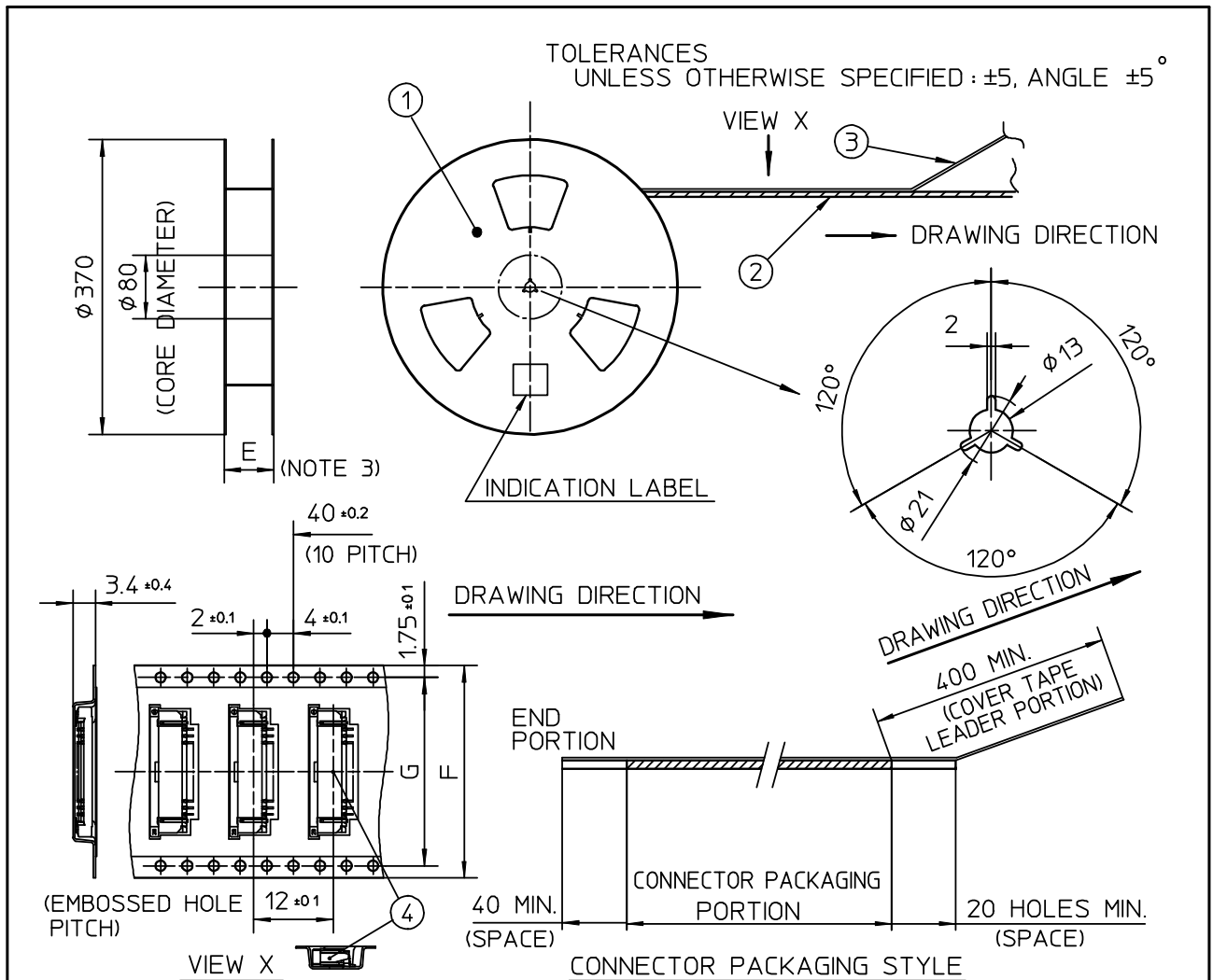
| NO. OF CONTACTS (n) | CAT. NO. (NOTE2) | DIMENSIONS (NOTE3) |        |        |
|---------------------|------------------|--------------------|--------|--------|
|                     |                  | E ± 5              | F ± 03 | G ± 01 |
| 4                   | SFW4R-1/2STE1    | 20.4               | 16     | —      |
| 5                   | SFW5R-1/2STE1    | 28.4               | 24     | —      |
| 6                   | SFW6R-1/2STE1    | 28.4               | 24     | —      |
| 7                   | SFW7R-1/2STE1    | 28.4               | 24     | —      |
| 8                   | SFW8R-1/2STE1    | 28.4               | 24     | —      |
| 9                   | SFW9R-1/2STE1    | 28.4               | 24     | —      |
| 10                  | SFW10R-1/2STE1   | 28.4               | 24     | —      |
| 11                  | SFW11R-1/2STE1   | 28.4               | 24     | —      |
| 12                  | SFW12R-1/2STE1   | 28.4               | 24     | —      |
| 13                  | SFW13R-1/2STE1   | 36.4               | 32     | 28.4   |
| 14                  | SFW14R-1/2STE1   | 36.4               | 32     | 28.4   |
| 15                  | SFW15R-1/2STE1   | 36.4               | 32     | 28.4   |
| 16                  | SFW16R-1/2STE1   | 36.4               | 32     | 28.4   |
| 17                  | SFW17R-1/2STE1   | 48.4               | 44     | 40.4   |
| 18                  | SFW18R-1/2STE1   | 48.4               | 44     | 40.4   |
| 19                  | SFW19R-1/2STE1   | 48.4               | 44     | 40.4   |
| 20                  | SFW20R-1/2STE1   | 48.4               | 44     | 40.4   |
| 21                  | SFW21R-1/2STE1   | 48.4               | 44     | 40.4   |
| 22                  | SFW22R-1/2STE1   | 48.4               | 44     | 40.4   |
| 23                  | SFW23R-1/2STE1   | 48.4               | 44     | 40.4   |
| 24                  | SFW24R-1/2STE1   | 48.4               | 44     | 40.4   |
| 25                  | SFW25R-1/2STE1   | 48.4               | 44     | 40.4   |
| 26                  | SFW26R-1/2STE1   | 48.4               | 44     | 40.4   |
| 27                  | SFW27R-1/2STE1   | 48.4               | 44     | 40.4   |
| 28                  | SFW28R-1/2STE1   | 60.4               | 56     | 52.4   |
| 29                  | SFW29R-1/2STE1   | 60.4               | 56     | 52.4   |
| 30                  | SFW30R-1/2STE1   | 60.4               | 56     | 52.4   |



NOTES

1. THIS PRODUCT IS THE CONNECTOR USED FOR FPC/FFC AND COPEs WITH AUTOMATIC MOUNTING (SMT).
2. THIS CATALOG NO INDICATES PLASTIC TAPE PACKAGED CONNECTOR
3. SEE PART DRAWINGS FOR DIMENSIONS E-G.

|      |      |             |      |          |      |   |
|------|------|-------------|------|----------|------|---|
|      |      |             |      | SCALE    | ∞    |   |
|      |      |             |      | DIM. IN  | mm   | CAT NO.   |
|      |      |             |      | DESIGNED |      | SFW__R-1/2STE1  |
|      |      |             |      | DRAWN    |      | DRAWING NO  |
|      |      |             |      | CHECKED  |      | JSA 91601   |
|      |      |             |      | APPROVED |      | DF-136<br>REV.B   |
| REV. | DATE | DESCRIPTION | DWN. | APPD.    | DATE |  |




| PT. NO. | PARTS NAME            | CAT. NO.     | MATERIAL          | Q'TY | NOTE                 |
|---------|-----------------------|--------------|-------------------|------|----------------------|
| 1       | REEL                  | ———          | CARDBOARD         | 1    | COLOR : WHITE        |
| 2       | PLASTIC (EMBOSS) TAPE | ———          | PET               | ———  | COLOR : TRANSPARENCY |
| 3       | COVER                 | ———          | POLYESTER         | ———  | COLOR : TRANSPARENCY |
| 4       | SURFLOK CONNECTOR     | SFW__R-1ST__ | SEE ATTACHED DWG. | 2000 | LOWER CONTACT TYPE   |

**NOTES**

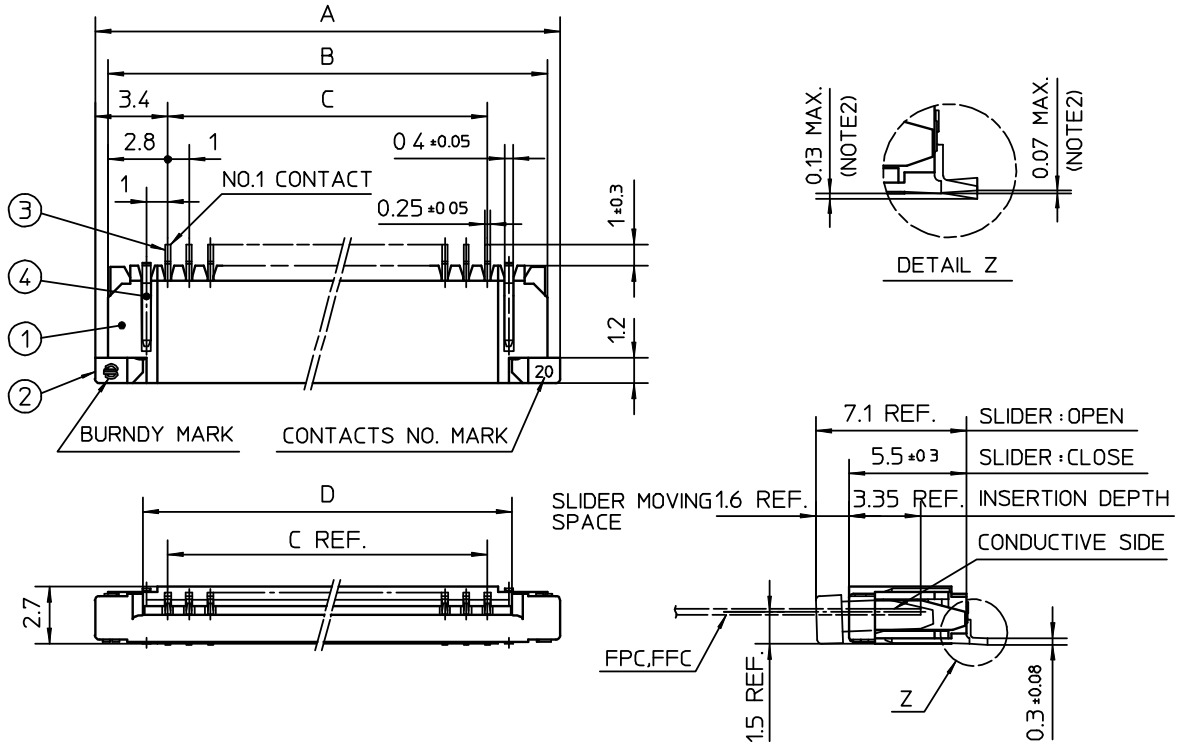
- THIS IS PLASTIC TAPE PACKAGED CONNECTOR USED FOR FPC/FFC AND CYPES WITH AUTOMATIC MOUNTING (SMT).
- SEE JIS C 0806 (PACKING OF ELECTRONIC COMPONENTS ON CONTINUOUS TAPES (SURFACE MOUNTING DEVICES)) FOR SHAPE AND DIMENSIONS OF PLASTIC (EMBOSS) TAPE AND REEL.
- E DIMENSION IS PORTION OF THE CORE.

|      |      |             |      |          |              |
|------|------|-------------|------|----------|--------------|
|      |      |             |      | SCALE    | ∕            |
|      |      |             |      | DIM. IN  | mm           |
|      |      |             |      | DESIGNED | SFW__R-1STE1 |
|      |      |             |      | DRAWN    | DRAWING NO   |
|      |      |             |      | CHECKED  | JSA 91602    |
|      |      |             |      | APPROVED | REV          |
| REV. | DATE | DESCRIPTION | DWN. | APPD.    | DATE         |



DF-136  
REV.B

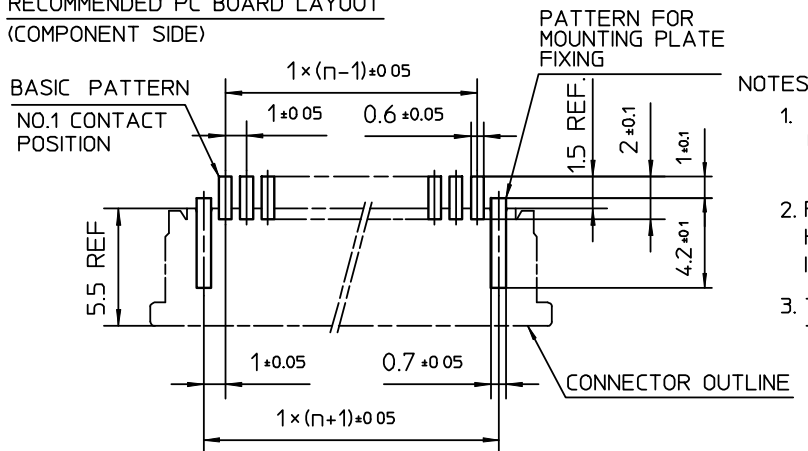
TOLERANCES  
UNLESS OTHERWISE SPECIFIED :  $\pm 0.2$



| PT. NO. | PARTS NAME     | MATERIAL                             | Q'TY | NOTE                |
|---------|----------------|--------------------------------------|------|---------------------|
| 1       | HOUSING        | PPS RESIN GLASS REINFORCED (UL94V-0) | 1    | COLOR : BROWN       |
| 2       | SLIDER         | PPS RESIN GLASS REINFORCED (UL94V-0) | 1    | COLOR : BLACK       |
| 3       | CONTACT        | PHOSPHOR BRONZE                      | n    | PLATING : TIN ALLOY |
| 4       | MOUNTING PLATE |                                      | 2    |                     |

n : NO. OF CONTACTS

RECOMMENDED PC BOARD LAYOUT  
(COMPONENT SIDE)



NOTES

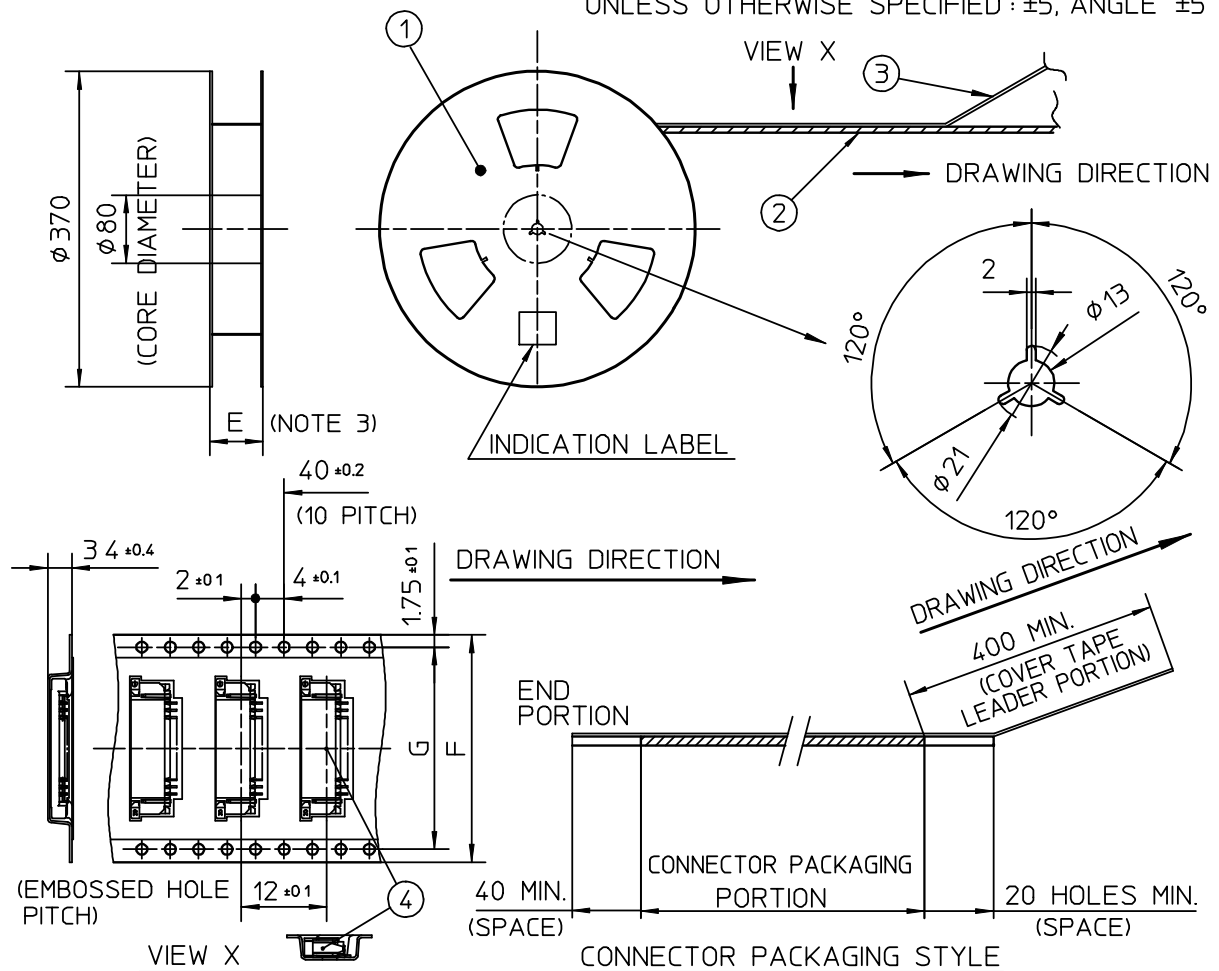
1. THIS PRODUCT IS THE CONNECTOR USED FOR FPC/FFC AND COPEs WITH AUTOMATIC MOUNTING (SMT).
2. FLATNESS FOR CONTACT TERMINAL HOUSING MUST BE WITHIN TOLERANCE IN Z PORTION DETAILED DRAWING.
3. THIS PRODUCT IS UPPER CONTACT TYPE CONNECTOR.

|      |      |             |      |          |          |                 |
|------|------|-------------|------|----------|----------|-----------------|
|      |      |             |      | SCALE    | $\times$ |                 |
|      |      |             |      | DIM. IN  | mm       | CAT NO.         |
|      |      |             |      | DESIGNED |          | SFW__R-2ST__    |
|      |      |             |      | DRAWN    |          | DRAWING NO      |
|      |      |             |      | CHECKED  |          | JSA 91600       |
|      |      |             |      | APPROVED |          | REV             |
| REV. | DATE | DESCRIPTION | DWN. | APPD.    | DATE     | DF-136<br>REV.B |



DF-136  
REV.B

TOLERANCES  
UNLESS OTHERWISE SPECIFIED : ±5, ANGLE ±5°



| PT. NO. | PARTS NAME            | CAT NO.      | MATERIAL          | Q'TY | NOTE                 |
|---------|-----------------------|--------------|-------------------|------|----------------------|
| 1       | REEL                  | —            | CARDBOARD         | 1    | COLOR : WHITE        |
| 2       | PLASTIC (EMBOSS) TAPE | —            | PET               | —    | COLOR : TRANSPARENCY |
| 3       | COVER                 | —            | POLYESTER         | —    | COLOR : TRANSPARENCY |
| 4       | SURFLOK CONNECTOR     | SFW__R-2ST__ | SEE ATTACHED DWG. | 2000 | UPPER CONTACT TYPE   |

NOTES

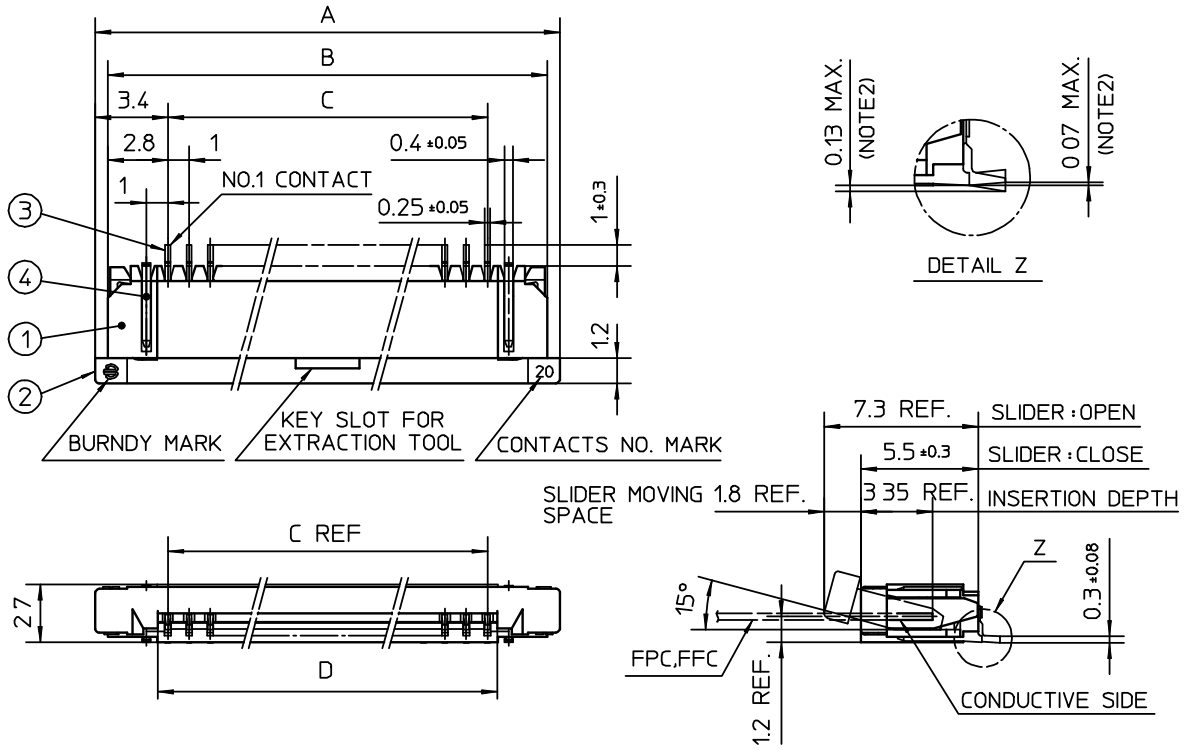
1. THIS IS PLASTIC TAPE PACKAGED CONNECTOR USED FOR FPC/FFC AND CYPES WITH AUTOMATIC MOUNTING (SMT).
2. SEE JIS C 0806 (PACKING OF ELECTRONIC COMPONENTS ON CONTINUOUS TAPES (SURFACE MOUNTING DEVICES)) FOR SHAPE AND DIMENSIONS OF PLASTIC (EMBOSS) TAPE AND REEL.
3. E DIMENSION IS PORTION OF THE CORE

|      |      |             |      |          |      |              |
|------|------|-------------|------|----------|------|--------------|
|      |      |             |      | SCALE    | ∕    |              |
|      |      |             |      | DIM. IN  | mm   | CAT NO.      |
|      |      |             |      | DESIGNED |      | SFW__R-2STE1 |
|      |      |             |      | DRAWN    |      | DRAWING NO   |
|      |      |             |      | CHECKED  |      | JSA 91603    |
|      |      |             |      | APPROVED |      | DF-136       |
| REV. | DATE | DESCRIPTION | DWN. | APPD.    | DATE | REV.B        |



DF-136  
REV.B

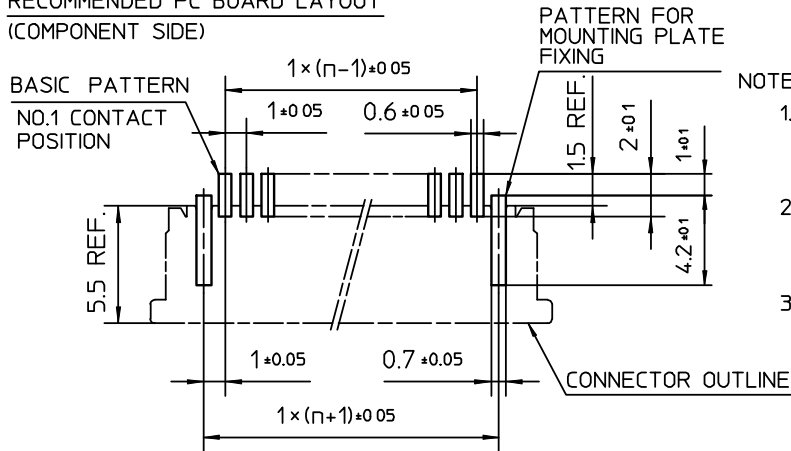
TOLERANCES  
UNLESS OTHERWISE SPECIFIED : ±0.2



| PT NO | PARTS NAME     | MATERIAL                                | Q'TY | NOTE                |
|-------|----------------|---|------|---------------------|
| 1     | HOUSING        | PPS RESIN GLASS<br>REINFORCED (UL94V-0) | 1    | COLOR : BLACK       |
| 2     | SLIDER         |   | 1    | COLOR : BROWN       |
| 3     | CONTACT        | PHOSPHOR BRONZE                         | n    | PLATING : TIN ALLOY |
| 4     | MOUNTING PLATE |   | 2    |                     |

n : NO. OF CONTACTS

RECOMMENDED PC BOARD LAYOUT  
(COMPONENT SIDE)



NOTES

1. THIS PRODUCT IS THE CONNECTOR USED FOR FPC/FFC AND COPEs WITH AUTOMATIC MOUNTING (SMT).
2. FLATNESS FOR CONTACT TERMINAL HOUSING MUST BE WITHIN TOLERANCE IN Z PORTION DETAILED DRAWING.
3. THIS PRODUCT IS LOWER CONTACT TYPE CONNECTOR WITH CABLE LOCK MECHANISM.

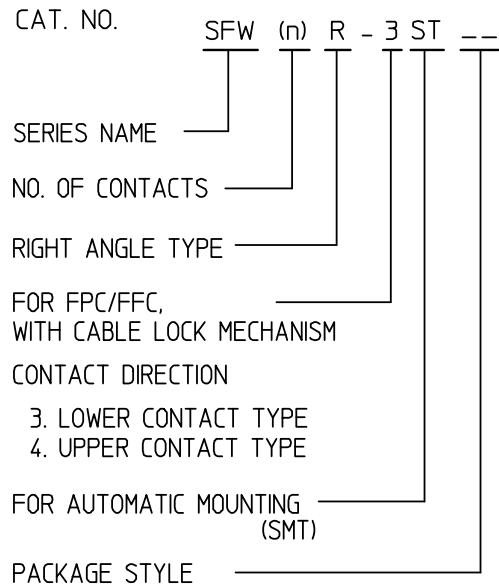
|      |      |             |      |          |      |              |
|------|------|-------------|------|----------|------|--------------|
|      |      |             |      | SCALE    | ∞    |              |
|      |      |             |      | DIM. IN  | mm   | CAT NO.      |
|      |      |             |      | DESIGNED |      | SFW__R-3ST__ |
|      |      |             |      | DRAWN    |      | DRAWING NO   |
|      |      |             |      | CHECKED  |      | JSA 93207    |
|      |      |             |      | APPROVED |      | DF-136       |
| REV. | DATE | DESCRIPTION | DWN. | APPD.    | DATE | REV.B        |



DF-136  
REV.B


CAT. NO. & DIMENSIONS

| NO. OF CONTACTS (n) | CAT. NO.       | DIMENSIONS (NOTE2) |         |         |         |
|---------------------|----------------|--------------------|---------|---------|---------|
|                     |                | A ± 0.2            | B ± 0.2 | C ± 0.2 | D ± 0.1 |
| 4                   | SFW4R-3/4ST__  | 9.8                | 8.6     | 3.0     | 3.92    |
| 5                   | SFW5R-3/4ST__  | 10.8               | 9.6     | 4.0     | 4.92    |
| 6                   | SFW6R-3/4ST__  | 11.8               | 10.6    | 5.0     | 5.92    |
| 7                   | SFW7R-3/4ST__  | 12.8               | 11.6    | 6.0     | 6.92    |
| 8                   | SFW8R-3/4ST__  | 13.8               | 12.6    | 7.0     | 7.92    |
| 9                   | SFW9R-3/4ST__  | 14.8               | 13.6    | 8.0     | 8.92    |
| 10                  | SFW10R-3/4ST__ | 15.8               | 14.6    | 9.0     | 9.92    |
| 11                  | SFW11R-3/4ST__ | 16.8               | 15.6    | 10.0    | 10.92   |
| 12                  | SFW12R-3/4ST__ | 17.8               | 16.6    | 11.0    | 11.92   |
| 13                  | SFW13R-3/4ST__ | 18.8               | 17.6    | 12.0    | 12.92   |
| 14                  | SFW14R-3/4ST__ | 19.8               | 18.6    | 13.0    | 13.92   |
| 15                  | SFW15R-3/4ST__ | 20.8               | 19.6    | 14.0    | 14.92   |
| 16                  | SFW16R-3/4ST__ | 21.8               | 20.6    | 15.0    | 15.92   |
| 17                  | SFW17R-3/4ST__ | 22.8               | 21.6    | 16.0    | 16.92   |
| 18                  | SFW18R-3/4ST__ | 23.8               | 22.6    | 17.0    | 17.92   |
| 19                  | SFW19R-3/4ST__ | 24.8               | 23.6    | 18.0    | 18.92   |
| 20                  | SFW20R-3/4ST__ | 25.8               | 24.6    | 19.0    | 19.92   |
| 21                  | SFW21R-3/4ST__ | 26.8               | 25.6    | 20.0    | 20.92   |
| 22                  | SFW22R-3/4ST__ | 27.8               | 26.6    | 21.0    | 21.92   |
| 23                  | SFW23R-3/4ST__ | 28.8               | 27.6    | 22.0    | 22.92   |
| 24                  | SFW24R-3/4ST__ | 29.8               | 28.6    | 23.0    | 23.92   |
| 25                  | SFW25R-3/4ST__ | 30.8               | 29.6    | 24.0    | 24.92   |
| 26                  | SFW26R-3/4ST__ | 31.8               | 30.6    | 25.0    | 25.92   |
| 27                  | SFW27R-3/4ST__ | 32.8               | 31.6    | 26.0    | 26.92   |
| 28                  | SFW28R-3/4ST__ | 33.8               | 32.6    | 27.0    | 27.92   |
| 29                  | SFW29R-3/4ST__ | 34.8               | 33.6    | 28.0    | 28.92   |
| 30                  | SFW30R-3/4ST__ | 35.8               | 34.6    | 29.0    | 29.92   |



NOTES

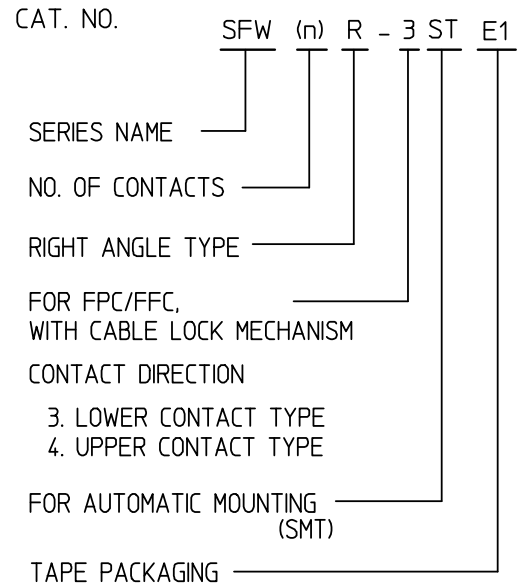
1. THIS PRODUCT IS THE CONNECTOR USED FOR FPC/FFC AND COPELS WITH AUTOMATIC MOUNTING (SMT).
2. SEE PART DRAWINGS FOR DIMENSIONS A-D.
3. THIS PRODUCT IS THE CONNECTOR WITH CABLE LOCK MECHANISM.

|      |      |             |      |       |          |    |   |
|------|------|-------------|------|-------|----------|----|---|
|      |      |             |      |       | SCALE    | ×  |   |
|      |      |             |      |       | DIM. IN  | mm | CAT NO.   |
|      |      |             |      |       | DESIGNED |    | SFW__R-3/4ST__  |
|      |      |             |      |       | DRAWN    |    | DRAWING NO  |
|      |      |             |      |       | CHECKED  |    | JSA 93206   |
|      |      |             |      |       | APPROVED |    | DF-136<br>REV.B   |
| REV. | DATE | DESCRIPTION | DWN. | APPD. | DATE     |    |  |




CAT. NO. & DIMENSIONS

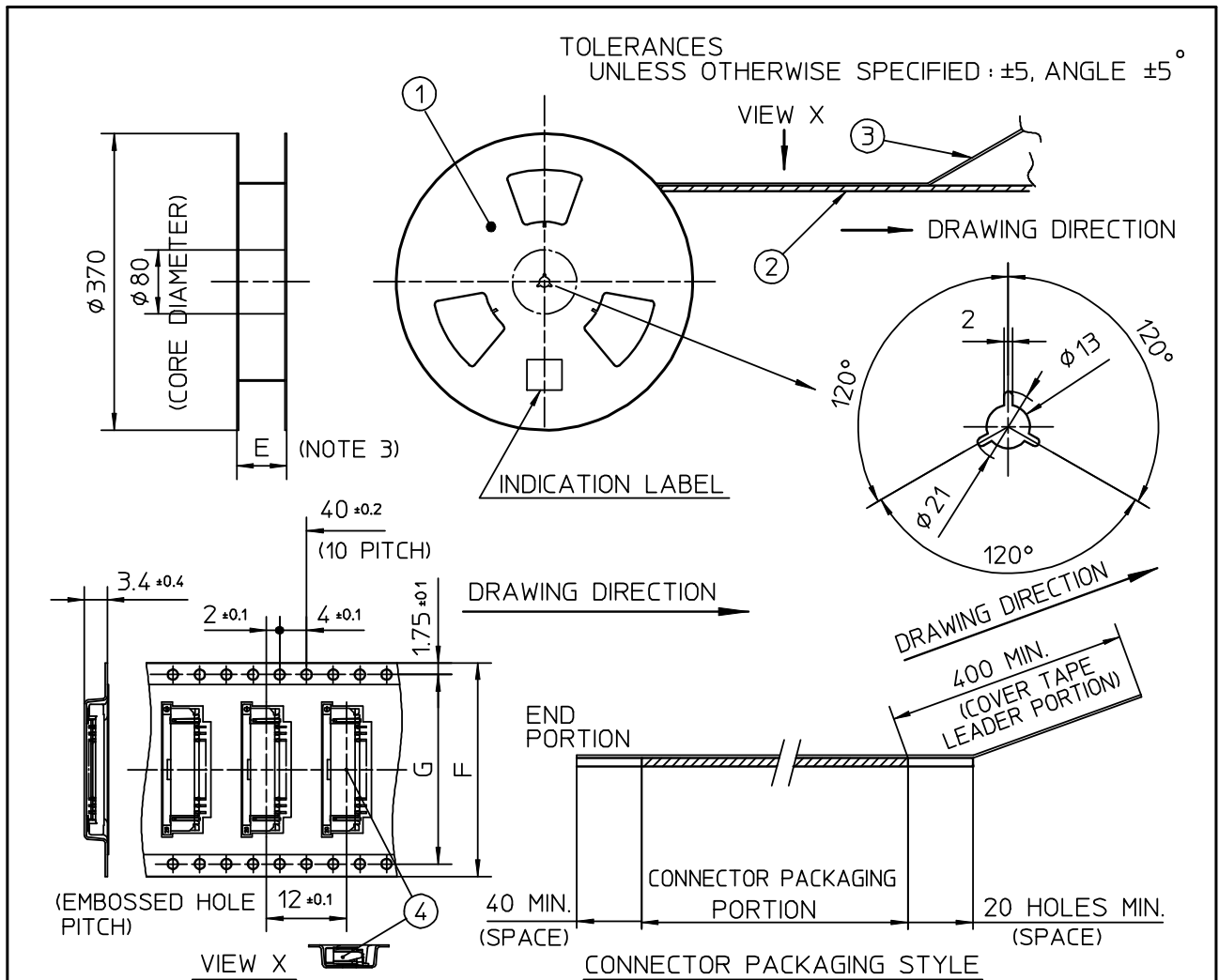
| NO. OF CONTACTS (n) | CAT. NO. (NOTE2) | DIMENSIONS (NOTE3) |         |         |
|---------------------|------------------|--------------------|---------|---------|
|                     |                  | E ± 5              | F ± 0.3 | G ± 0.1 |
| 4                   | SFW4R-3/4STE1    | 20.4               | 16      | —       |
| 5                   | SFW5R-3/4STE1    | 28.4               | 24      | —       |
| 6                   | SFW6R-3/4STE1    | 28.4               | 24      | —       |
| 7                   | SFW7R-3/4STE1    | 28.4               | 24      | —       |
| 8                   | SFW8R-3/4STE1    | 28.4               | 24      | —       |
| 9                   | SFW9R-3/4STE1    | 28.4               | 24      | —       |
| 10                  | SFW10R-3/4STE1   | 28.4               | 24      | —       |
| 11                  | SFW11R-3/4STE1   | 28.4               | 24      | —       |
| 12                  | SFW12R-3/4STE1   | 28.4               | 24      | —       |
| 13                  | SFW13R-3/4STE1   | 36.4               | 32      | 28.4    |
| 14                  | SFW14R-3/4STE1   | 36.4               | 32      | 28.4    |
| 15                  | SFW15R-3/4STE1   | 36.4               | 32      | 28.4    |
| 16                  | SFW16R-3/4STE1   | 36.4               | 32      | 28.4    |
| 17                  | SFW17R-3/4STE1   | 48.4               | 44      | 40.4    |
| 18                  | SFW18R-3/4STE1   | 48.4               | 44      | 40.4    |
| 19                  | SFW19R-3/4STE1   | 48.4               | 44      | 40.4    |
| 20                  | SFW20R-3/4STE1   | 48.4               | 44      | 40.4    |
| 21                  | SFW21R-3/4STE1   | 48.4               | 44      | 40.4    |
| 22                  | SFW22R-3/4STE1   | 48.4               | 44      | 40.4    |
| 23                  | SFW23R-3/4STE1   | 48.4               | 44      | 40.4    |
| 24                  | SFW24R-3/4STE1   | 48.4               | 44      | 40.4    |
| 25                  | SFW25R-3/4STE1   | 48.4               | 44      | 40.4    |
| 26                  | SFW26R-3/4STE1   | 48.4               | 44      | 40.4    |
| 27                  | SFW27R-3/4STE1   | 48.4               | 44      | 40.4    |
| 28                  | SFW28R-3/4STE1   | 60.4               | 56      | 52.4    |
| 29                  | SFW29R-3/4STE1   | 60.4               | 56      | 52.4    |
| 30                  | SFW30R-3/4STE1   | 60.4               | 56      | 52.4    |



NOTES

1. THIS PRODUCT IS THE CONNECTOR USED FOR FPC/FFC AND COPEs WITH AUTOMATIC MOUNTING (SMT).
2. THIS CATALOG NO. INDICATES PLASTIC TAPE PACKAGED CONNECTOR.
3. SEE PART DRAWINGS FOR DIMENSIONS E~G.
4. THIS PRODUCT IS THE CONNECTOR WITH CABLE LOCK MECHANISM.


|      |      |             |      |       |          |    |   |
|------|------|-------------|------|-------|----------|----|---|
|      |      |             |      |       | SCALE    | ∞  |   |
|      |      |             |      |       | DIM. IN  | mm | CAT NO.   |
|      |      |             |      |       | DESIGNED |    | SFW__R-3/4STE1  |
|      |      |             |      |       | DRAWN    |    | DRAWING NO  |
|      |      |             |      |       | CHECKED  |    | JSA 93209   |
|      |      |             |      |       | APPROVED |    | DF-136<br>REV.B   |
| REV. | DATE | DESCRIPTION | DWN. | APPD. | DATE     |    |  |



| PT. NO. | PARTS NAME            | CAT. NO.     | MATERIAL         | Q'TY | NOTE                 |
|---------|-----------------------|--------------|------------------|------|----------------------|
| 1       | REEL                  | _____        | CARDBOARD        | 1    | COLOR : WHITE        |
| 2       | PLASTIC (EMBOSS) TAPE | _____        | PET              | —    | COLOR : TRANSPARENCY |
| 3       | COVER                 | _____        | POLYESTER        | —    | COLOR : TRANSPARENCY |
| 4       | SURFLOK CONNECTOR     | SFW__R-3ST__ | SEE ATTACHED DWG | 2000 | LOWER CONTACT TYPE   |

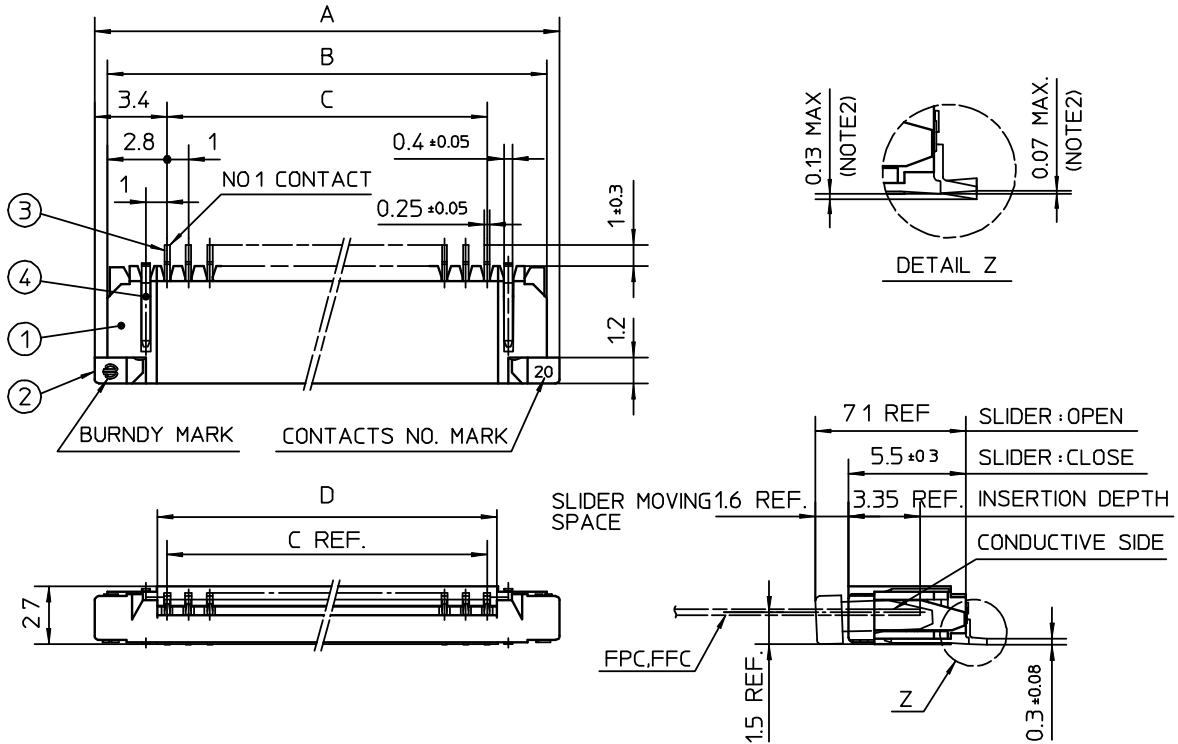
NOTES

1. THIS IS PLASTIC TAPE PACKAGED CONNECTOR WITH CABLE LOCK MECHANISM USED FOR FPC/FFC AND COPEs WITH AUTOMATIC MOUNTING (SMT)
2. SEE JIS C 0806 (PACKING OF ELECTRONIC COMPONENTS ON CONTINUOUS TAPES (SURFACE MOUNTING DEVICES)) FOR SHAPE AND DIMENSIONS OF PLASTIC (EMBOSS) TAPE AND REEL.
3. E DIMENSION IS PORTION OF THE CORE.

|      |      |             |      |       |          |    |   |     |
|------|------|-------------|------|-------|----------|----|---|-----|
|      |      |             |      |       | SCALE    | ∞  |   |     |
|      |      |             |      |       | DIM. IN  | mm | CAT NO.   |     |
|      |      |             |      |       | DESIGNED |    | SFW__R-3STE1  |     |
|      |      |             |      |       | DRAWN    |    | DRAWING NO  | REV |
|      |      |             |      |       | CHECKED  |    | JSA 93210   |     |
|      |      |             |      |       | APPROVED |    |   |     |
| REV. | DATE | DESCRIPTION | DWN. | APPD. | DATE     |    |  |     |

DF-136  
REV.B

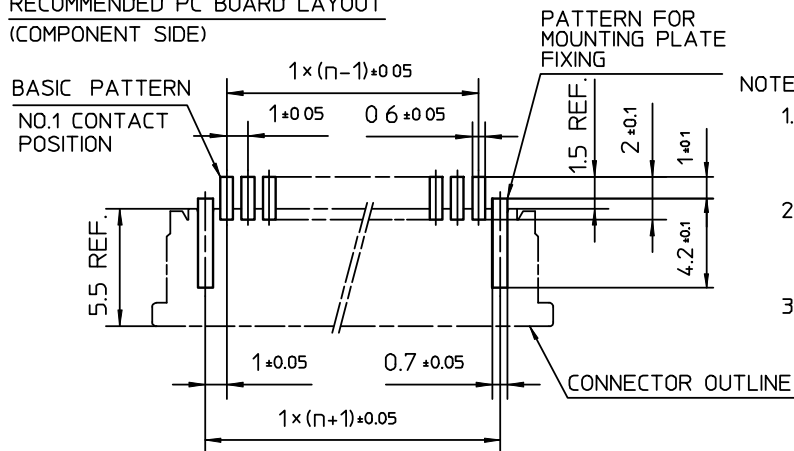
TOLERANCES  
UNLESS OTHERWISE SPECIFIED :  $\pm 0.2$



| PT. NO | PARTS NAME     | MATERIAL                                | Q'TY | NOTE                |
|--------|----------------|---|------|---------------------|
| 1      | HOUSING        | PPS RESIN GLASS<br>REINFORCED (UL94V-0) | 1    | COLOR : BLACK       |
| 2      | SLIDER         |   | 1    | COLOR : BROWN       |
| 3      | CONTACT        | PHOSPHOR BRONZE                         | n    | PLATING : TIN ALLOY |
| 4      | MOUNTING PLATE |   | 2    |                     |

n : NO. OF CONTACTS

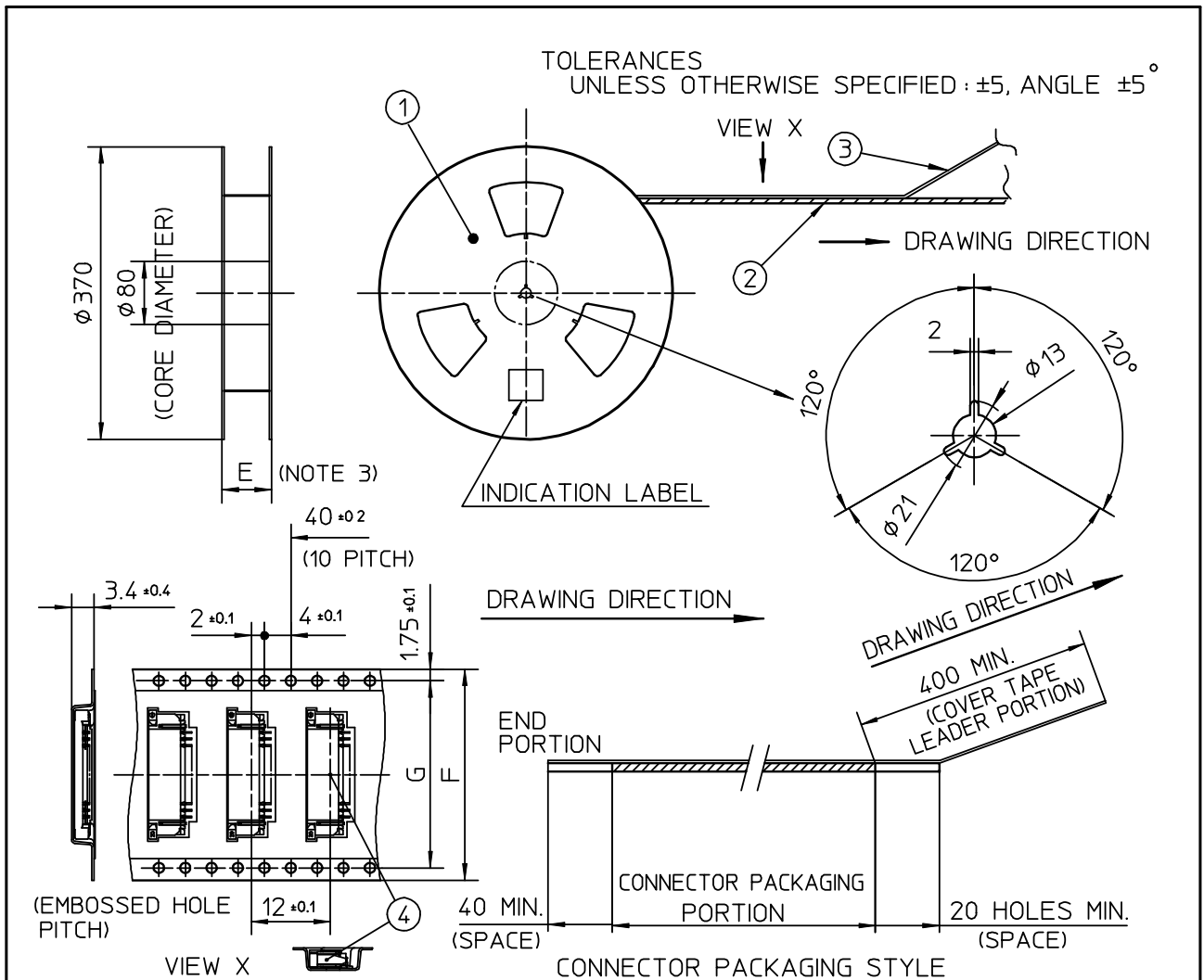
RECOMMENDED PC BOARD LAYOUT  
(COMPONENT SIDE)



NOTES

1. THIS PRODUCT IS THE CONNECTOR USED FOR FPC/FFC AND COPEs WITH AUTOMATIC MOUNTING (SMT).
2. FLATNESS FOR CONTACT TERMINAL HOUSING MUST BE WITHIN TOLERANCE IN Z PORTION DETAILED DRAWING.
3. THIS PRODUCT IS UPPER CONTACT TYPE CONNECTOR WITH CABLE LOCK MECHANISM.

|      |      |             |      |          |          |                 |
|------|------|-------------|------|----------|----------|-----------------|
|      |      |             |      | SCALE    | $\times$ |                 |
|      |      |             |      | DIM. IN  | mm       | CAT NO.         |
|      |      |             |      | DESIGNED |          | SFW__R-4ST__    |
|      |      |             |      | DRAWN    |          | DRAWING NO      |
|      |      |             |      | CHECKED  |          | JSA 93208       |
|      |      |             |      | APPROVED |          | DF-136<br>REV.B |
| REV. | DATE | DESCRIPTION | DWN. | APPD.    | DATE     |                 |



| PT. NO. | PARTS NAME            | CAT. NO.     | MATERIAL          | Q'TY | NOTE                 |
|---------|-----------------------|--------------|-------------------|------|----------------------|
| 1       | REEL                  | —            | CARDBOARD         | 1    | COLOR : WHITE        |
| 2       | PLASTIC (EMBOSS) TAPE | —            | PET               | —    | COLOR : TRANSPARENCY |
| 3       | COVER                 | —            | POLYESTER         | —    | COLOR : TRANSPARENCY |
| 4       | SURFLOK CONNECTOR     | SFW__R-4ST__ | SEE ATTACHED DWG. | 2000 | UPPER CONTACT TYPE   |

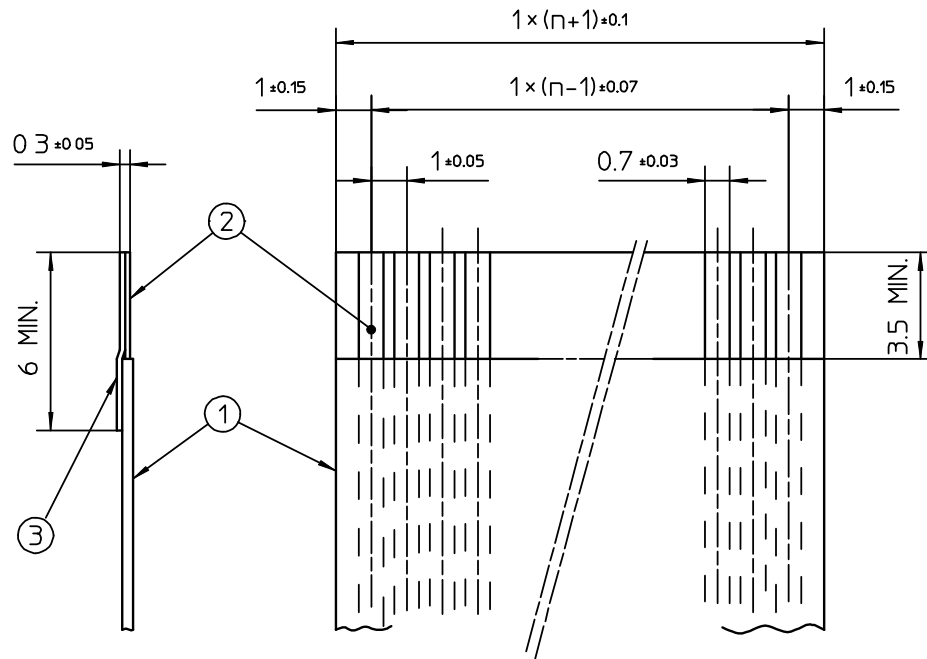
#### NOTES

1. THIS IS PLASTIC TAPE PACKAGED CONNECTOR WITH CABLE LOCK MECHANISM USED FOR FPC/FFC AND COPEs WITH AUTOMATIC MOUNTING (SMT).
- 2 SEE JIS C 0806 (PACKING OF ELECTRONIC COMPONENTS ON CONTINUOUS TAPES (SURFACE MOUNTING DEVICES)) FOR SHAPE AND DIMENSIONS OF PLASTIC (EMBOSS) TAPE AND REEL.
- 3 E DIMENSION IS PORTION OF THE CORE.

|      |      |             |      |          |          |                 |     |
|------|------|-------------|------|----------|----------|-----------------|-----|
|      |      |             |      | SCALE    | $\times$ |                 |     |
|      |      |             |      | DIM. IN  | mm       | CAT NO.         |     |
|      |      |             |      | DESIGNED |          | SFW__R-4STE1    |     |
|      |      |             |      | DRAWN    |          | DRAWING NO      | REV |
|      |      |             |      | CHECKED  |          | JSA 93211       |     |
|      |      |             |      | APPROVED |          |                 |     |
| REV. | DATE | DESCRIPTION | DWN. | APPD.    | DATE     |                 |     |
|      |      |             |      |          |          | DF-136<br>REV.B |     |

RECOMMENDED CABLE (FFC)


n : NO. OF CONDUCTOR



| PT. NO. | PARTS NAME      | MATERIAL                           | NOTE                                |
|---------|-----------------|------------------------------------|-------------------------------------|
| 1       | INSULATOR       | FLAME RESISTING POLYESTER OR EQUAL | _____                               |
| 2       | CONDUCTOR       | COPPER FOIL                        | PLATING : TIN OR SOLDER<br>1μm MIN. |
| 3       | SUPPORTING TAPE | FLAME RESISTING POLYESTER OR EQUAL | _____                               |

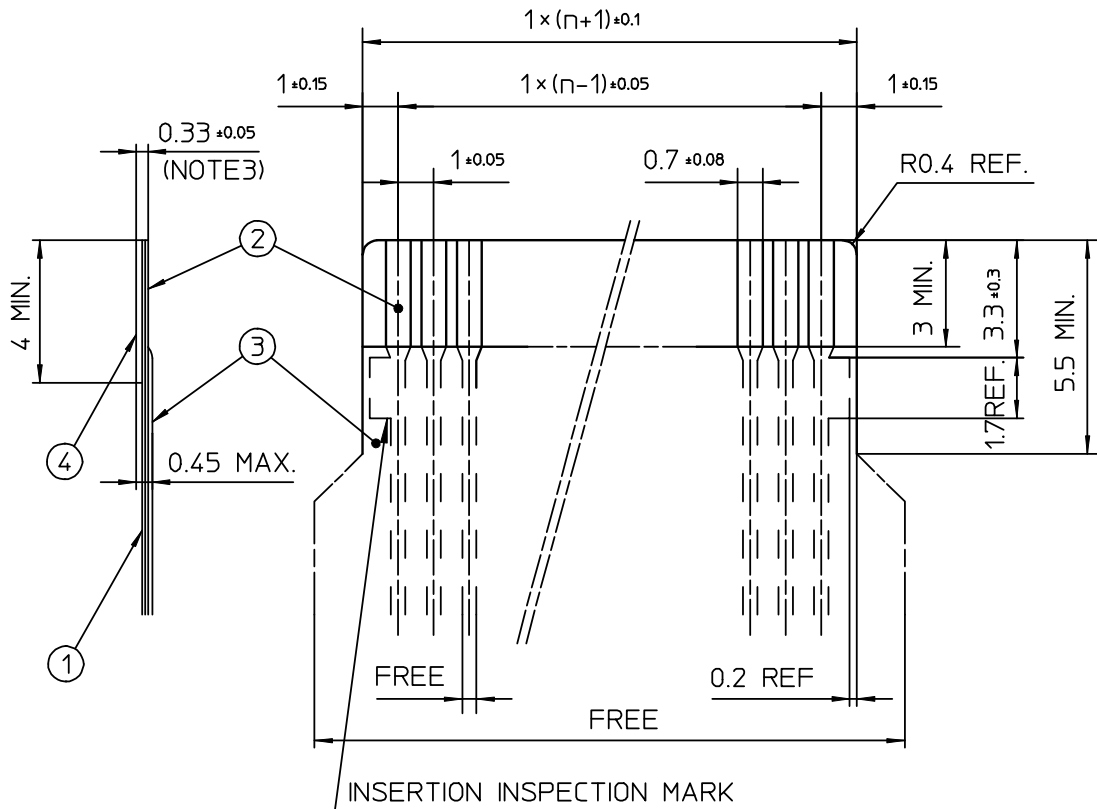
NOTES

1. NO BURR AT EACH PORTION.
2. NO PEELING IN COMMON USE.

|      |      |             |            |          |    |   |     |
|------|------|-------------|------------|----------|----|---|-----|
|      |      |             |            | SCALE    | ∞  | RECOMMENDED CABLE   |     |
|      |      |             |            | DIM. IN  | mm | CAT NO.   |     |
|      |      |             |            | DESIGNED |    | SFW__R-1/2__  |     |
|      |      |             |            | DRAWN    |    | DRAWING NO  | REV |
|      |      |             |            | CHECKED  |    | JSA 91604   |     |
|      |      |             |            | APPROVED |    |  DF-136<br>REV.B |     |
| REV. | DATE | DESCRIPTION | DWN. APPD. | DATE     |    |   |     |

RECOMMENDED CABLE (FPC)


n : NO. OF CONDUCTOR



| PT. NO. | PARTS NAME      | MATERIAL                              | THICKNESS (μm) |
|---------|-----------------|---------------------------------------|----------------|
| 1       | BASE FILM       | POLYIMIDE OR POLYESTER OR EQUAL       | 25             |
| 2       | CONDUCTOR       | COPPER FOIL(PLATING : SOLDER 1μm MIN) | 35             |
| 3       | OVERLAY         | POLYIMIDE OR POLYESTER OR EQUAL       | —              |
| 4       | SUPPORTING TAPE | POLYESTER OR POLYIMIDE OR EQUAL       | 188            |

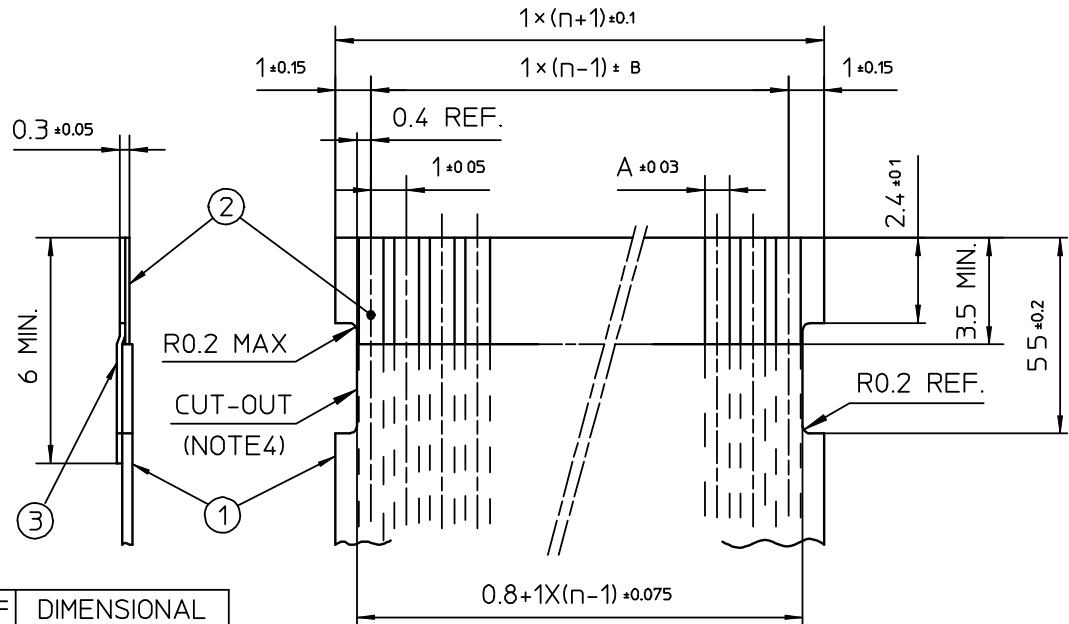
NOTES

1. NO BURR AT EACH PORTION.
2. NO PEELING IN COMMON USE
3. TOTAL THICKNESS LIMIT OF EACH MATERIAL (INCLUDING ADHESIVE AGENT) IS SPECIFIED.

|      |      |             |      |          |      |   |     |
|------|------|-------------|------|----------|------|---|-----|
|      |      |             |      | SCALE    | ∞    | RECOMMENDED CABLE   |     |
|      |      |             |      | DIM. IN  | mm   | CAT NO.   |     |
|      |      |             |      | DESIGNED |      | SFW__R-1/2__  |     |
|      |      |             |      | DRAWN    |      | DRAWING NO  | REV |
|      |      |             |      | CHECKED  |      | JSA 91605   |     |
|      |      |             |      | APPROVED |      |  DF-136<br>REV.B |     |
| REV. | DATE | DESCRIPTION | DWN. | APPD.    | DATE |   |     |

RECOMMENDED CABLE (FFC)

n : NO. OF CONDUCTOR




| KIND OF FFC (NOTES 5) | DIMENSIONAL TOLERANCE |      |
|-----------------------|-----------------------|------|
|                       | A                     | B    |
| 1                     | 0.7                   | 0.1  |
| 2                     | 0.6                   | 0.07 |

| PT NO | PARTS NAME      | MATERIAL                           | NOTE                                |
|-------|-----------------|------------------------------------|-------------------------------------|
| 1     | INSULATOR       | FLAME RESISTING POLYESTER OR EQUAL | _____                               |
| 2     | CONDUCTOR       | COPPER FOIL                        | PLATING : TIN OR SOLDER<br>1µm MIN. |
| 3     | SUPPORTING TAPE | FLAME RESISTING POLYESTER OR EQUAL | _____                               |

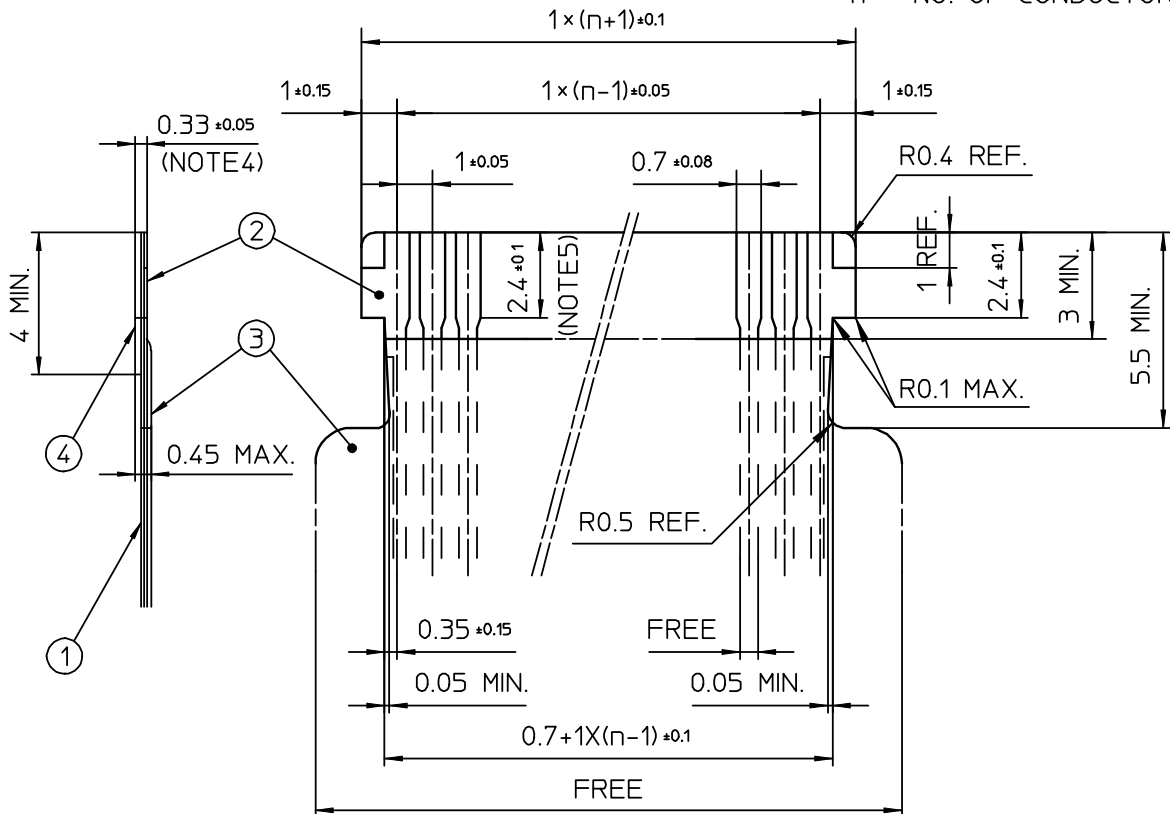
NOTES

1. THIS DRAWING INDICATES THE FFC USED THE CONNECTOR WITH CABLE LOCK MECHANISM.
2. NO BURR AT EACH PORTION.
3. NO PEELING IN COMMON USE
4. THERE IS A POSSIBILITY THAT THE CAT-OUT CROSSES THE CONDUCTOR BECAUSE OF DIMENSIONAL TOLERANCE.
5. EITHER KIND1 OR KIND2 OF FFC CAN ACCEPT DIMENSIONAL TOLERANCE a AND b.

|      |      |             |      |          |      |   |     |
|------|------|-------------|------|----------|------|---|-----|
|      |      |             |      | SCALE    | ∞    | RECOMMENDED CABLE   |     |
|      |      |             |      | DIM. IN  | mm   | CAT NO.   |     |
|      |      |             |      | DESIGNED |      | SFW__R-3/4__  |     |
|      |      |             |      | DRAWN    |      | DRAWING NO  | REV |
|      |      |             |      | CHECKED  |      | JSA 93213   |     |
|      |      |             |      | APPROVED |      |  DF-136<br>REV.B |     |
| REV. | DATE | DESCRIPTION | DWN. | APPD.    | DATE |   |     |

RECOMMENDED CABLE (FPC)


n : NO. OF CONDUCTOR



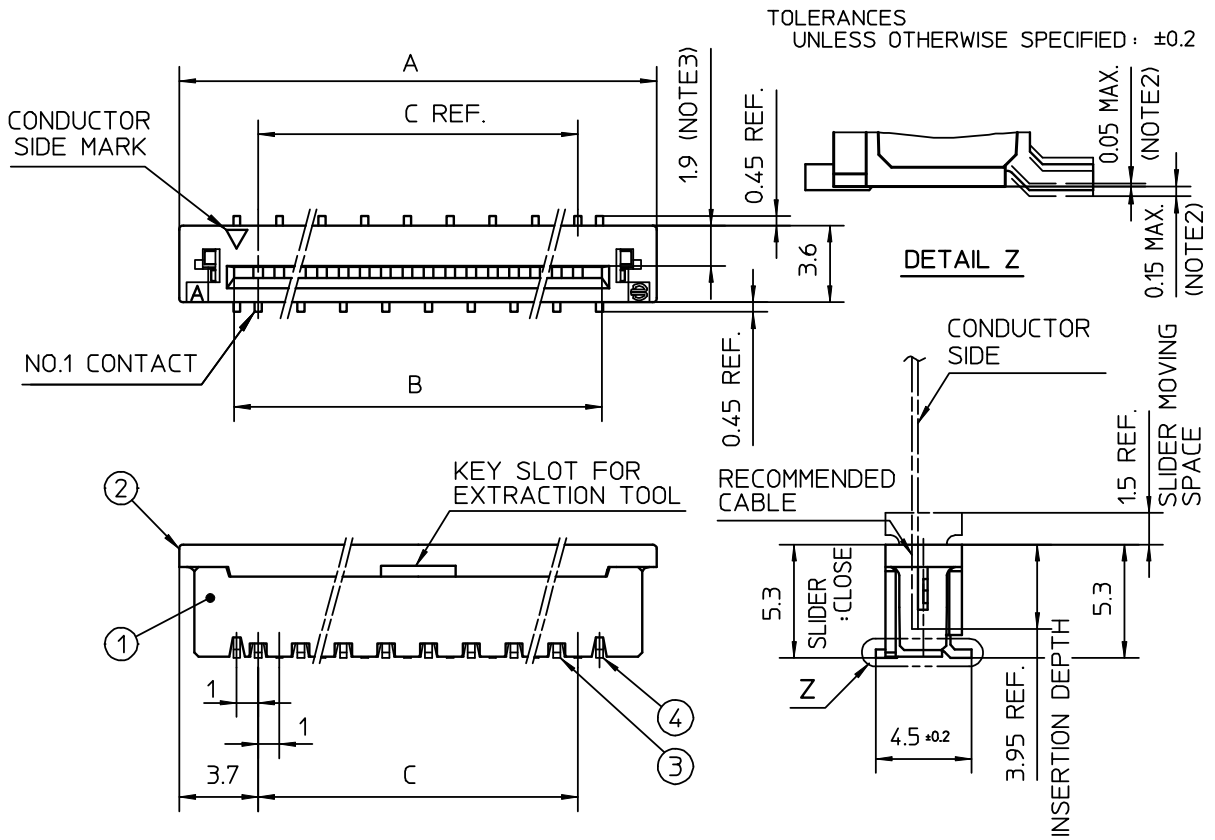
| PT. NO. | PARTS NAME      | MATERIAL                                | THICKNESS (μm) |
|---------|-----------------|---|----------------|
| 1       | BASE FILM       | POLYIMIDE OR POLYESTER OR EQUAL         | 25             |
| 2       | CONDUCTOR       | COPPER FOIL (PLATING : SOLDER 1μm MIN.) | 35             |
| 3       | OVERLAY         | POLYIMIDE OR POLYESTER OR EQUAL         | —              |
| 4       | SUPPORTING TAPE | POLYESTER OR POLYIMIDE OR EQUAL         | 188            |

NOTES

1. THIS DRAWING INDICATES THE FPC USED THE CONNECTOR WITH CABLE LOCK MECHANISM.
2. NO BURR AT EACH PORTION.
3. NO PEELING IN COMMON USE.
4. TOTAL THICKNESS LIMIT OF EACH MATERIAL (INCLUDING ADHESIVE AGENT) IS SPECIFIED.
5. THIS DIMENSION INDICATES THE RANGE FOR 0.7 ± 0.08 CONDUCTOR WIDTH

|      |      |             |      |          |      |   |     |
|------|------|-------------|------|----------|------|---|-----|
|      |      |             |      | SCALE    | ×    | RECOMMENDED CABLE   |     |
|      |      |             |      | DIM. IN  | mm   | CAT NO.   |     |
|      |      |             |      | DESIGNED |      | SFW__R-3/4__  |     |
|      |      |             |      | DRAWN    |      | DRAWING NO  | REV |
|      |      |             |      | CHECKED  |      | JSA 93212   |     |
|      |      |             |      | APPROVED |      |  DF-136<br>REV.B |     |
| REV. | DATE | DESCRIPTION | DWN. | APPD.    | DATE |   |     |

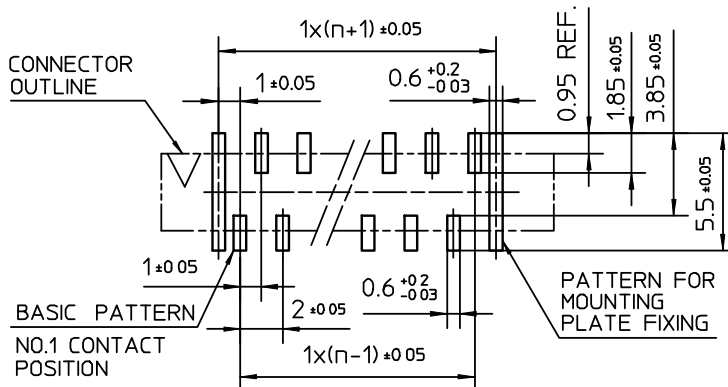




| PT. NO. | PARTS NAME     | MATERIAL  | Q'TY | NOTE                |
|---------|----------------|---|------|---------------------|
| 1       | HOUSING        | GLASS FILLED<br>THERMOPLASTIC RATED.<br>(UL94V-0) | 1    | COLOR : BROWN       |
| 2       | SLIDER         |   | 1    | COLOR : BLACK       |
| 3       | CONTACT        | PHOSPHOR BRONZE                                   | n    | PLATING : TIN ALLOY |
| 4       | MOUNTING PLATE | BRASS   | 2    |                     |


n : NO. OF CONTACTS

RECOMMENDED PC BOARD LAYOUT  
(COMPONENT SIDE)



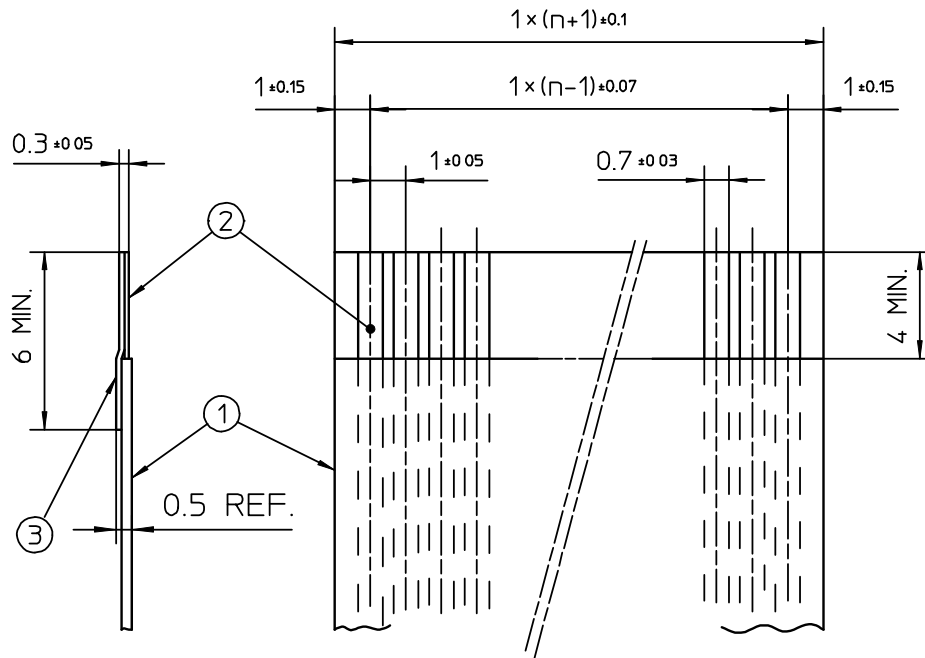
NOTES

1. THIS PRODUCT IS THE CONNECTOR DESIGNED TO TERMINATE FPC/FFC AND COPE WITH AUTOMATIC MOUNTING (SMT).
2. FLATNESS OF CONTACT TERMINAL AND MOUNTING PLATE FOR HOUSING MUST BE WITHIN TOLERANCE IN Z PORTION DETAILED DRAWING.
3. THIS DIMENSION IS SPACE FOR THE NOZZLE OF MOUNTER.

|      |      |             |      |          |          |   |     |
|------|------|-------------|------|----------|----------|---|-----|
|      |      |             |      | SCALE    | $\times$ | 1mm SPACING SURFACE MOUNT<br>FPC/FFC CONNECTOR  |     |
|      |      |             |      | DIM. IN  | mm       | CAT NO.   |     |
|      |      |             |      | DESIGNED |          | SFW__S-2STM__   |     |
|      |      |             |      | DRAWN    |          | DRAWING NO  | REV |
|      |      |             |      | CHECKED  |          | JSA 93836   |     |
|      |      |             |      | APPROVED |          |  |     |
| REV. | DATE | DESCRIPTION | DWN. | APPD.    | DATE     |   |     |

RECOMMENDED CABLE (FFC)


n : NO. OF CONDUCTORS



| PT. NO. | DESCRIPTION     | MATERIAL                                | NOTE                                |
|---------|-----------------|---|-------------------------------------|
| 1       | INSULATOR       | FLAME RESISTING POLYESTER OR EQUIVALENT | _____                               |
| 2       | CONDUCTOR       | COPPER FOIL                             | PLATING : TIN OR SOLDER<br>1μm MIN. |
| 3       | SUPPORTING TAPE | FLAME RESISTING POLYESTER OR EQUIVALENT | _____                               |

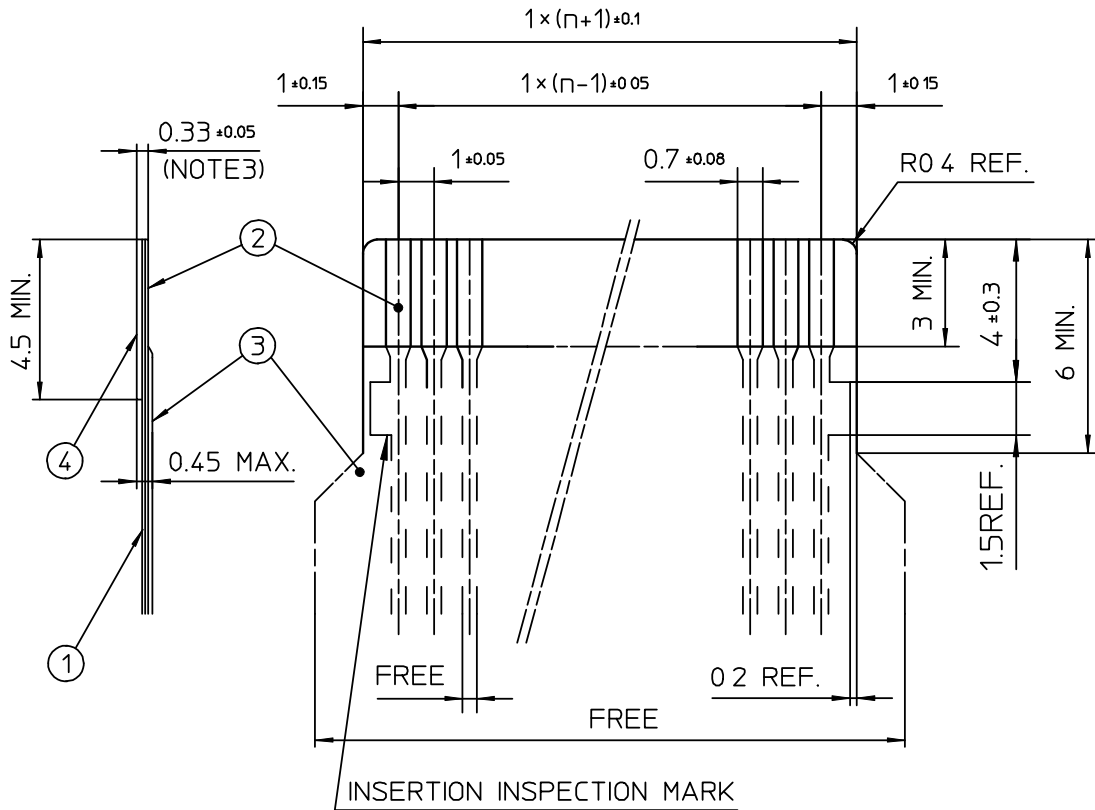
NOTES

1. NO BURR AT EACH PORTION.
2. NO PEELING IN COMMON USE.

|      |      |             |            |          |    |   |     |
|------|------|-------------|------------|----------|----|---|-----|
|      |      |             |            | SCALE    | ∞  | RECOMMENDED CABLE   |     |
|      |      |             |            | DIM. IN  | mm | CAT NO.   |     |
|      |      |             |            | DESIGNED |    | SFW__S-2ST__  |     |
|      |      |             |            | DRAWN    |    | DRAWING NO  | REV |
|      |      |             |            | CHECKED  |    | JSA 93341   |     |
|      |      |             |            | APPROVED |    |  DF-136<br>REV.B |     |
| REV. | DATE | DESCRIPTION | DWN. APPD. | DATE     |    |   |     |

RECOMMENDED CABLE (FPC)


n : NO. OF CONDUCTORS



| PT. NO. | DESCRIPTION     | MATERIAL                                | THICKNESS (μm) |
|---------|-----------------|---|----------------|
| 1       | BASE FILM       | POLYIMIDE OR POLYESTER OR EQUIVALENT    | 25             |
| 2       | CONDUCTOR       | COPPER FOIL (PLATING · SOLDER 1μm MIN.) | 35             |
| 3       | OVERLAY         | POLYIMIDE OR POLYESTER OR EQUIVALENT    | —              |
| 4       | SUPPORTING TAPE | POLYESTER OR POLYIMIDE OR EQUIVALENT    | 188            |

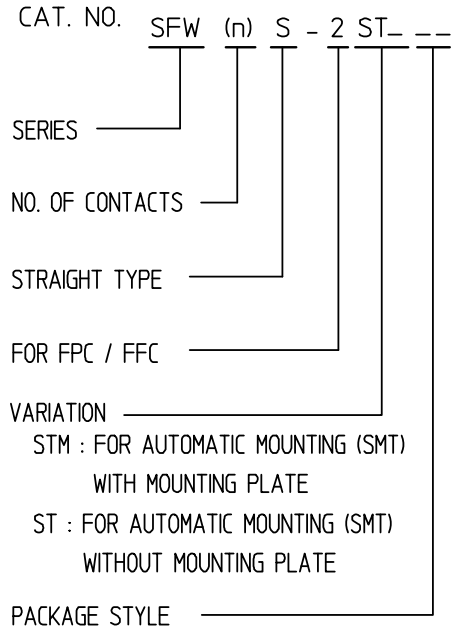
NOTES

- 1 NO BURR AT EACH PORTION
2. NO PEELING IN COMMON USE.
3. TOTAL THICKNESS LIMIT OF EACH MATERIAL (INCLUDING ADHESIVE AGENT) IS SPECIFIED.

|      |      |             |            |          |    |   |     |
|------|------|-------------|------------|----------|----|---|-----|
|      |      |             |            | SCALE    | ∞  | RECOMMENDED CABLE   |     |
|      |      |             |            | DIM. IN  | mm | CAT NO.   |     |
|      |      |             |            | DESIGNED |    | SFW__S-2ST__  |     |
|      |      |             |            | DRAWN    |    | DRAWING NO  | REV |
|      |      |             |            | CHECKED  |    | JSA 93340   |     |
|      |      |             |            | APPROVED |    |  DF-136<br>REV.B |     |
| REV. | DATE | DESCRIPTION | DWN. APPD. | DATE     |    |   |     |


CAT. NO. & DIMENSIONS

| NOTES | NO. OF CONTACTS (n) | CAT. NO     | DIMENSIONS (NOTE2) |        |        |
|-------|---------------------|-------------|--------------------|--------|--------|
|       |                     |             | A ±0.2             | B ±0.2 | C ±0.2 |
|       | 4                   | SFW4S-2ST_  | 10.4               | 5.24   | 3      |
|       | 5                   | SFW5S-2ST_  | 11.4               | 6.24   | 4      |
|       | 6                   | SFW6S-2ST_  | 12.4               | 7.24   | 5      |
| *     | 7                   | SFW7S-2ST_  | 13.4               | 8.24   | 6      |
|       | 8                   | SFW8S-2ST_  | 14.4               | 9.24   | 7      |
| *     | 9                   | SFW9S-2ST_  | 15.4               | 10.24  | 8      |
|       | 10                  | SFW10S-2ST_ | 16.4               | 11.24  | 9      |
| *     | 11                  | SFW11S-2ST_ | 17.4               | 12.24  | 10     |
| *     | 12                  | SFW12S-2ST_ | 18.4               | 13.24  | 11     |
| *     | 13                  | SFW13S-2ST_ | 19.4               | 14.24  | 12     |
| *     | 14                  | SFW14S-2ST_ | 20.4               | 15.24  | 13     |
| *     | 15                  | SFW15S-2ST_ | 21.4               | 16.24  | 14     |
|       | 16                  | SFW16S-2ST_ | 22.4               | 17.24  | 15     |
|       | 17                  | SFW17S-2ST_ | 23.4               | 18.24  | 16     |
| *     | 18                  | SFW18S-2ST_ | 24.4               | 19.24  | 17     |
| *     | 19                  | SFW19S-2ST_ | 25.4               | 20.24  | 18     |
|       | 20                  | SFW20S-2ST_ | 26.4               | 21.24  | 19     |
| *     | 21                  | SFW21S-2ST_ | 27.4               | 22.24  | 20     |
|       | 22                  | SFW22S-2ST_ | 28.4               | 23.24  | 21     |
| *     | 23                  | SFW23S-2ST_ | 29.4               | 24.24  | 22     |
|       | 24                  | SFW24S-2ST_ | 30.4               | 25.24  | 23     |
| *     | 25                  | SFW25S-2ST_ | 31.4               | 26.24  | 24     |
|       | 26                  | SFW26S-2ST_ | 32.4               | 27.24  | 25     |
| *     | 27                  | SFW27S-2ST_ | 33.4               | 28.24  | 26     |
|       | 28                  | SFW28S-2ST_ | 34.4               | 29.24  | 27     |
| *     | 29                  | SFW29S-2ST_ | 35.4               | 30.24  | 28     |
|       | 30                  | SFW30S-2ST_ | 36.4               | 31.24  | 29     |
| *     | 31                  | SFW31S-2ST_ | 37.4               | 32.24  | 30     |
| *     | 32                  | SFW32S-2ST_ | 38.4               | 33.24  | 31     |



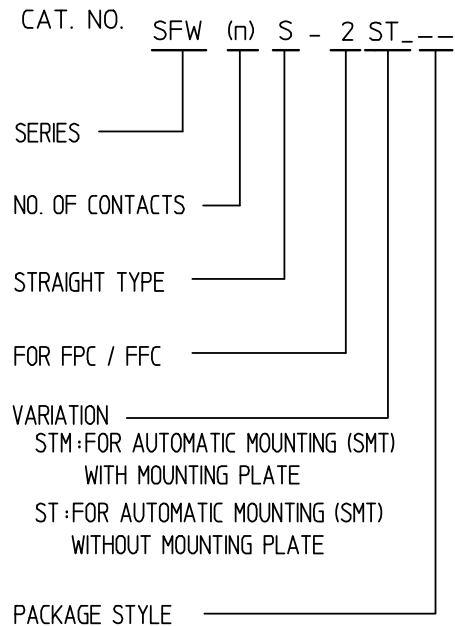
NOTES

1. THIS PRODUCT IS THE CONNECTOR, DESIGNED TO TERMINATE FPC/FFC AND COPES WITH AUTOMATIC MOUNTING (SMT).
2. SEE PART DRAWINGS FOR DIMENSIONS A.B.C.
3. PLEASE CONSULT US IN CASE OF USING PARTS WITH \* MARK

|      |      |             |      |          |      |   |     |
|------|------|-------------|------|----------|------|---|-----|
|      |      |             |      | SCALE    | ∞    | CAT. NO. TABLE FOR 1mm SPACING SMT CONNECTOR  |     |
|      |      |             |      | DIM. IN  | mm   | CAT NO.   |     |
|      |      |             |      | DESIGNED |      | SFW__S-2ST__  |     |
|      |      |             |      | DRAWN    |      | DRAWING NO  | REV |
|      |      |             |      | CHECKED  |      | JSA 93342   |     |
|      |      |             |      | APPROVED |      |  DF-136<br>REV.B |     |
| REV. | DATE | DESCRIPTION | DWN. | APPD.    | DATE |   |     |


CAT. NO. & DIMENSIONS

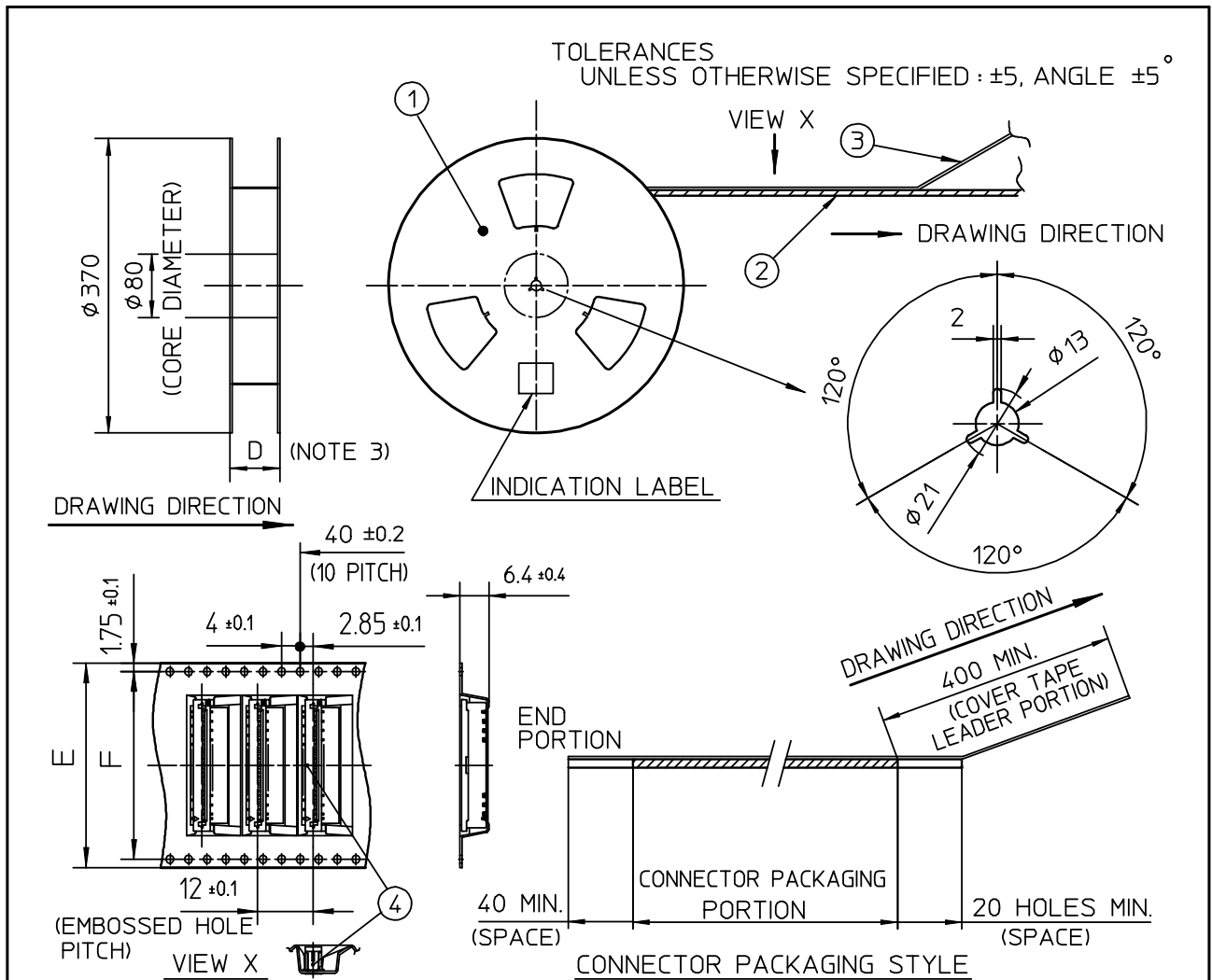
| (NOTE4) | NO. OF CONTACTS (n) | CAT. NO. (NOTE2) | DIMENSIONS (NOTE3) |         |         |
|---------|---------------------|------------------|--------------------|---------|---------|
|         |                     |                  | D ± 5              | E ± 0.3 | F ± 0.1 |
|         | 4                   | SFW4S-2ST_E1     | 28.4               | 24      | —       |
|         | 5                   | SFW5S-2ST_E1     | 28.4               | 24      | —       |
|         | 6                   | SFW6S-2ST_E1     | 28.4               | 24      | —       |
| *       | 7                   | SFW7S-2ST_E1     | 28.4               | 24      | —       |
|         | 8                   | SFW8S-2ST_E1     | 28.4               | 24      | —       |
| *       | 9                   | SFW9S-2ST_E1     | 28.4               | 24      | —       |
|         | 10                  | SFW10S-2ST_E1    | 28.4               | 24      | —       |
| *       | 11                  | SFW11S-2ST_E1    | 28.4               | 24      | —       |
| *       | 12                  | SFW12S-2ST_E1    | 36.4               | 32      | 28.4    |
| *       | 13                  | SFW13S-2ST_E1    | 36.4               | 32      | 28.4    |
| *       | 14                  | SFW14S-2ST_E1    | 36.4               | 32      | 28.4    |
| *       | 15                  | SFW15S-2ST_E1    | 36.4               | 32      | 28.4    |
|         | 16                  | SFW16S-2ST_E1    | 48.4               | 44      | 40.4    |
|         | 17                  | SFW17S-2ST_E1    | 48.4               | 44      | 40.4    |
| *       | 18                  | SFW18S-2ST_E1    | 48.4               | 44      | 40.4    |
| *       | 19                  | SFW19S-2ST_E1    | 48.4               | 44      | 40.4    |
|         | 20                  | SFW20S-2ST_E1    | 48.4               | 44      | 40.4    |
| *       | 21                  | SFW21S-2ST_E1    | 48.4               | 44      | 40.4    |
|         | 22                  | SFW22S-2ST_E1    | 48.4               | 44      | 40.4    |
| *       | 23                  | SFW23S-2ST_E1    | 48.4               | 44      | 40.4    |
|         | 24                  | SFW24S-2ST_E1    | 48.4               | 44      | 40.4    |
| *       | 25                  | SFW25S-2ST_E1    | 48.4               | 44      | 40.4    |
|         | 26                  | SFW26S-2ST_E1    | 48.4               | 44      | 40.4    |
| *       | 27                  | SFW27S-2ST_E1    | 60.4               | 56      | 52.4    |
|         | 28                  | SFW28S-2ST_E1    | 60.4               | 56      | 52.4    |
| *       | 29                  | SFW29S-2ST_E1    | 60.4               | 56      | 52.4    |
|         | 30                  | SFW30S-2ST_E1    | 60.4               | 56      | 52.4    |
| *       | 31                  | SFW31S-2ST_E1    | 60.4               | 56      | 52.4    |
| *       | 32                  | SFW32S-2ST_E1    | 60.4               | 56      | 52.4    |



NOTES

1. THIS PRODUCT IS THE CONNECTOR DESIGNED TO TERMINATE FPC/FFC AND COPEs WITH AUTOMATIC MOUNTING (SMT).
2. THIS CATALOG NO. INDICATES PLASTIC TAPE PACKAGED CONNECTOR.
3. SEE PART DRAWINGS FOR DIMENSIONS D-F
4. PLEASE CONSULT US IN CASE OF USING PARTS WITH \* MARK.

|      |      |             |      |       |          |    |   |     |
|------|------|-------------|------|-------|----------|----|---|-----|
|      |      |             |      |       | SCALE    | ∞  | CAT NO. TABLE FOR PLASTIC TAPE PACKAGED 1mm SPACING SMT CONN.   |     |
|      |      |             |      |       | DIM. IN  | mm | CAT NO.   |     |
|      |      |             |      |       | DESIGNED |    | SFW__S-2ST_E1   |     |
|      |      |             |      |       | DRAWN    |    | DRAWING NO  | REV |
|      |      |             |      |       | CHECKED  |    | JSA 93343   |     |
|      |      |             |      |       | APPROVED |    |  DF-136<br>REV.B |     |
| REV. | DATE | DESCRIPTION | DWN. | APPD. | DATE     |    |   |     |



| PT NO. | PARTS NAME               | CAT. NO.     | MATERIAL          | Q'TY  | NOTE                 |
|--------|--------------------------|--------------|-------------------|-------|----------------------|
| 1      | REEL                     | _____        | CARDBOARD         | 1     | COLOR : GRAY         |
| 2      | PLASTIC (EMBOSSSED) TAPE | _____        | PET               | _____ | COLOR : TRANSPARENCY |
| 3      | COVER                    | _____        | POLYESTER         | _____ | COLOR : TRANSPARENCY |
| 4      | CONNECTOR                | SFW__S-2ST__ | SEE ATTACHED DWG. | 1000  | _____                |

NOTES

1. THIS IS PLASTIC TAPE PACKAGED CONNECTOR USED FOR FPC/FFC AND COPES WITH AUTOMATIC MOUNTING (SMT).
2. SEE JIS C 0806 (PACKING OF ELECTRONIC COMPONENTS ON CONTINUOUS TAPES (SURFACE MOUNTING DEVICES)) FOR SHAPE AND DIMENSIONS OF PLASTIC (EMBOSSSED) TAPE AND REEL.
3. F DIMENSION IS PORTION OF THE CORE.

|      |      |             |            |          |    |   |     |
|------|------|-------------|------------|----------|----|---|-----|
|      |      |             |            | SCALE    | ∕  | PLASTIC TAPE PACKAGED<br>1mm SPACING SMT CONNECTOR  |     |
|      |      |             |            | DIM. IN  | mm | CAT NO.   |     |
|      |      |             |            | DESIGNED |    | SFW__S-2ST_E1                                       |     |
|      |      |             |            | DRAWN    |    | DRAWING NO  | REV |
|      |      |             |            | CHECKED  |    | JSA 93338   |     |
|      |      |             |            | APPROVED |    | <span style="float: right;">DF-136<br/>REV.B</span> |     |
| REV. | DATE | DESCRIPTION | DWN. APPD. | DATE     |    |   |     |