



## Air moving solutions made simple



AC Fans  
DC Fans



AC Blowers  
DC Blowers



AC Impellers  
DC Impellers



AC Motors



Accessories

### Search

Part/Model #  
Stock Check  
Cross-Reference  
Keyword

### More Products

Heat Sinks  
Fan Accessories  
Engineering Tools  
Airflow Calculator  
Thermal Calculator  
Unit Conversions  
Application Notes  
Custom Solutions  
Company Info  
Sales Force

Phone: 858.348.6200 FAX: 858.566.4577

Distributors

Find a Rep

Contact Us

## Diplomat - DD692724K1A - 039851

(Family) (Model) (Part Number)

### Electrical Specifications

Operating Voltage:	24 Volts
Voltage Range:	12 - 28 Volts
Power Supply:	40.2 Watts
Line Current:	1.68 Amps
Locked Rotor Current	4.00 Amps
Nominal Speed:	2800 RPM

### Mechanical Specifications

Dimensions:	6.9 x 6.9 x 2.7 in
Weight	38.8 oz
Max Airflow @ 0 in H <sub>2</sub> O	325.0 CFM
Max Pressure @ 0 CFM	1.500 in H <sub>2</sub> O
Noise	63.5 dBA

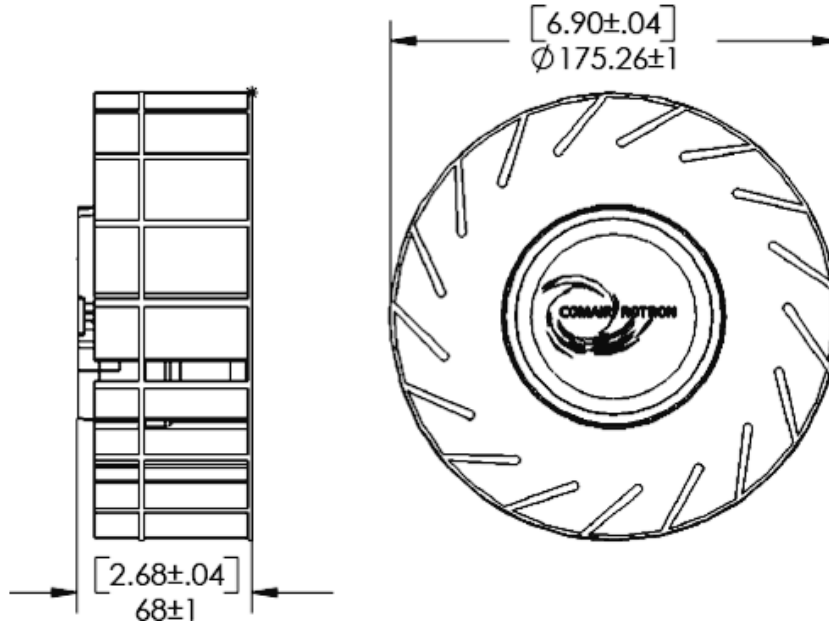


Detailed Drawing



Printer-Friendly Datasheet

### Mechanical Drawing



### Options

Part Number	Model Number	Bearing Type	Fan Rotation	Termination	In-Stock <small>(Click 'Yes' for current stock)</small>
039851	DD692724K1A	Ball	Centrifugal	12in Leadwires	<a href="#">Yes</a>
040263	DD692724K1A2	Ball	Centrifugal	12in Leadwires	No
040173	DD692724K1A4	Ball	Centrifugal	12in Leadwires	No
040236	DD692724K1A-E2	Ball	Centrifugal	12in Leadwires	No

<<< Select the impeller with desired options, then press the [Update Datasheet](#) button.

**Comair Rotron, Inc.**

**Phone: 858.348.6200**

**FAX: 858.566.4577**

**sales@comairrotron.com**

**ThermaFlo, Inc.**

**Phone: 972.312.8609**

**FAX: 972.312.8617**

**info@thermaflo.com**

**Comair Rotron Europe, Ltd.**

**Phone: +44.1527.520525**

**FAX: +44.1527.520565**

**saleseurope@comairrotron.com**

**Comair Rotron Fan Company Ltd.**

**Phone: +86.21.52260581**

**FAX: +86.21.52260597**

**salesasia@comairrotron.com**