


# HC-MOD-K-TMS-M1M20-G-PE

Order No.: 1408520




<http://eshop.phoenixcontact.de/phoenix/treeViewClick.do?UID=1408520>

Plastic sleeve housing for modules for a module slot, with PE marking for pos. 1, with snap locking

Commercial data	
GTIN (EAN)	
sales group	D049
Pack	2 pcs.
Customs tariff	85389099
Catalog page information	Page 554 (PC-2011)

**Product notes**

WEEE/RoHS-compliant since: 09/01/2010



<http://www.download.phoenixcontact.com>  
 Please note that the data given here has been taken from the online catalog. For comprehensive information and data, please refer to the user documentation. The General Terms and Conditions of Use apply to Internet downloads.

Technical data	
General data	
Height	77.9 mm
Width	26.5 mm
Length	60 mm
Locking type	Clip locking
No. of cable exits	1

Cable exit	Straight
Pg screw connection	With
Type of the screw connection	1x M20
External cable diameter	6 mm ... 13 mm
Degree of protection for housing	IP65 protection when the connector is inserted
Ambient temperature (operation)	-40 °C ... 85 °C
Housing material	polycarbonate
Cable gland material	Polyamide
Cable seal material	NBR
Inflammability class acc. to UL 94	V0
Assembly instructions	For housing with PE marking, pos. 1 of the module is used as PE

### Accessories

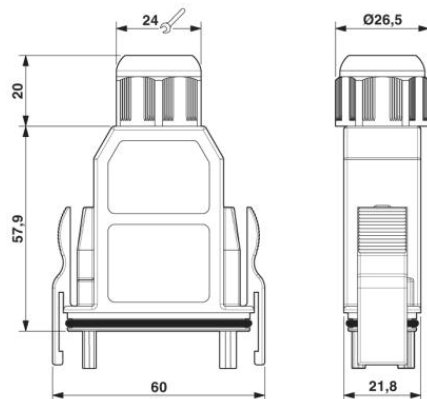
Item	Designation	Description
------	-------------	-------------

#### General

1408562	HC-MOD-K-CP	Coding profile for HC-MOD-K... housing
---------	-------------	--

### Diagrams/Drawings

Dimensioned drawing



Dimensional drawing

**Address**

PHOENIX CONTACT Inc., USA  
586 Fulling Mill Road  
Middletown, PA 17057, USA  
Phone (800) 888-7388  
Fax (717) 944-1625  
<http://www.phoenixcon.com>



© 2011 Phoenix Contact  
Technical modifications reserved;